

Kefren

Aluminum profiles

Europe Liftable Lift-and-slide system

Massive.
Beautiful.
Efficient.

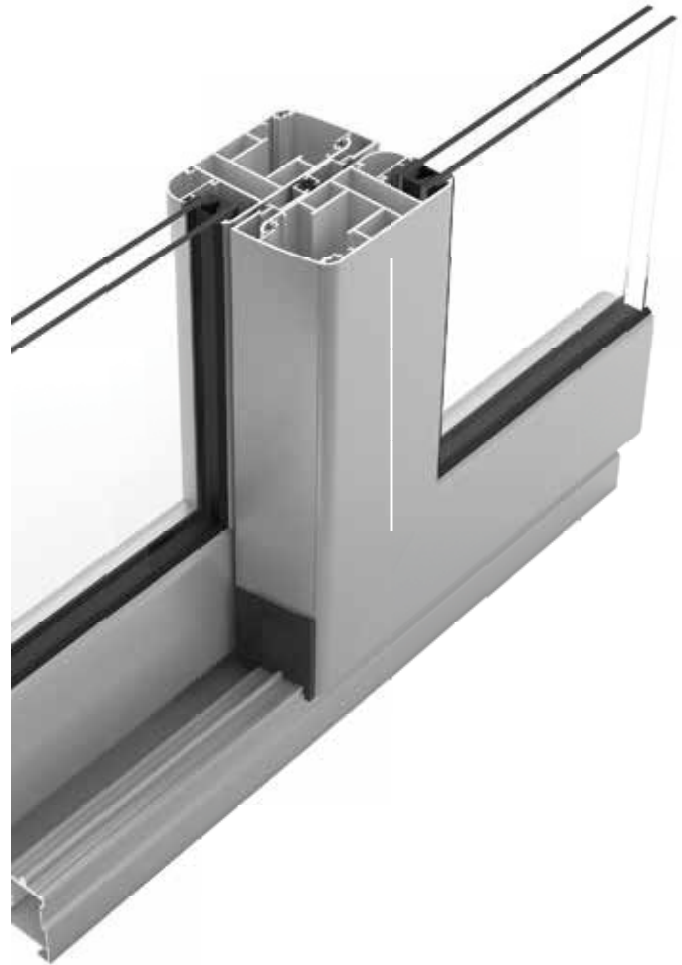


EXLABESA
ARCHITECTURE



Europe Lifiable

Lift-and-slide system



A Design

The robust design of the aluminum profiles that make up the Elevable sliding system for large openings achieves a balanced appearance thanks to the curved finish of the leaves.

B Features

The lift-and-slide mechanism allows the installation of large glass panels is facilitated by its hardware, which allows the sash to lift slightly before moving, aided by wheeled carriages and a large handle. All of this ensures exceptionally smooth movement of the sashes.

C Benefits

The Elevable series relies on rubber seals that make contact rather than friction for its watertightness. This series achieves a Class 3, Class 5A, and Class C5 rating in AEW tests.

D Possibilities

The Exlabesa aluminum lift-and-slide door allows for the smooth and easy sliding of large panels weighing up to 400 kg, thanks to its robust hardware. It can also be used as a conventional sliding door.





When it comes to enclosing large openings, sliding doors are the perfect option. The system The Exlabesa Liftable system addresses the need for sliding large, heavy glass panels, easily supporting up to 400 kg. Both its smooth lifting mechanism and its watertight seal, based on rubber gaskets, are designed to facilitate the movement of large sliding doors.

- Maximum recommended dimensions per sheet: 3300x3200 mm
- Leaf displacement up to 400 kg
- Maximum glazing up to 27 mm
- Replaceable rail in perimeter frame

EXLABESA
ARCHITECTURE

EXLABESA ARCHITECTURE

01

TECHNICAL DATA

Tests Maximum dimensions

Technical characteristics

02

PROFILES

03

ACCESSORIES

04

HARDWARE

05

SECTIONS

06

Windows

07

GLAZING

EXLABESA ARCHITECTURE

01

TECHNICAL DATA

Tests Maximum dimensions

Technical characteristics

Technical data

Tests/Maximum Dimensions / Technical Specifications

AEV Trial

2-panel window



Air permeability

UNE-EN 1026:2017; UNE-EN 12207:2017

Class **3**

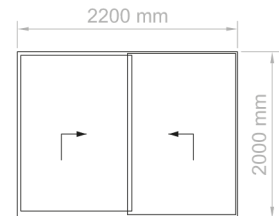
Watertightness

UNE-EN 1027:2017; UNE-EN 12208:2000

Class **5A**

Wind load resistance

UNE-EN 12211:2017; UNE-EN 12210:2017

Class **C5**

Thermal test

2-panel window



Thermal transmittance

UNE-EN ISO 10077-1:2017

and	Typologies	Your
2.7 W/m ² K	2-leaf balcony door 6000x3200 mm 2-	3.3 W/m ² K
1.4 W/m ² K	leaf balcony door 6000x3200 mm 2-	2.2 W/m ² K
1.0 W/m ² K	leaf balcony door 6000x3200 mm	1.8 W/m²K

Acoustic test

2-panel window



RW sound insulation

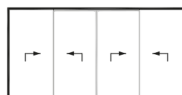
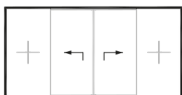
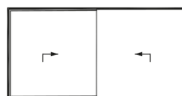
UNE-EN 14351-1:2006+A1 Annex B

30 dB

Values belonging to a window of <2.7 m²
Acoustic attenuation of glass 36 dB_(-1,-4)

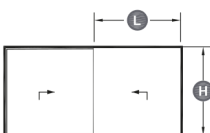
de superficie.

Types of opening



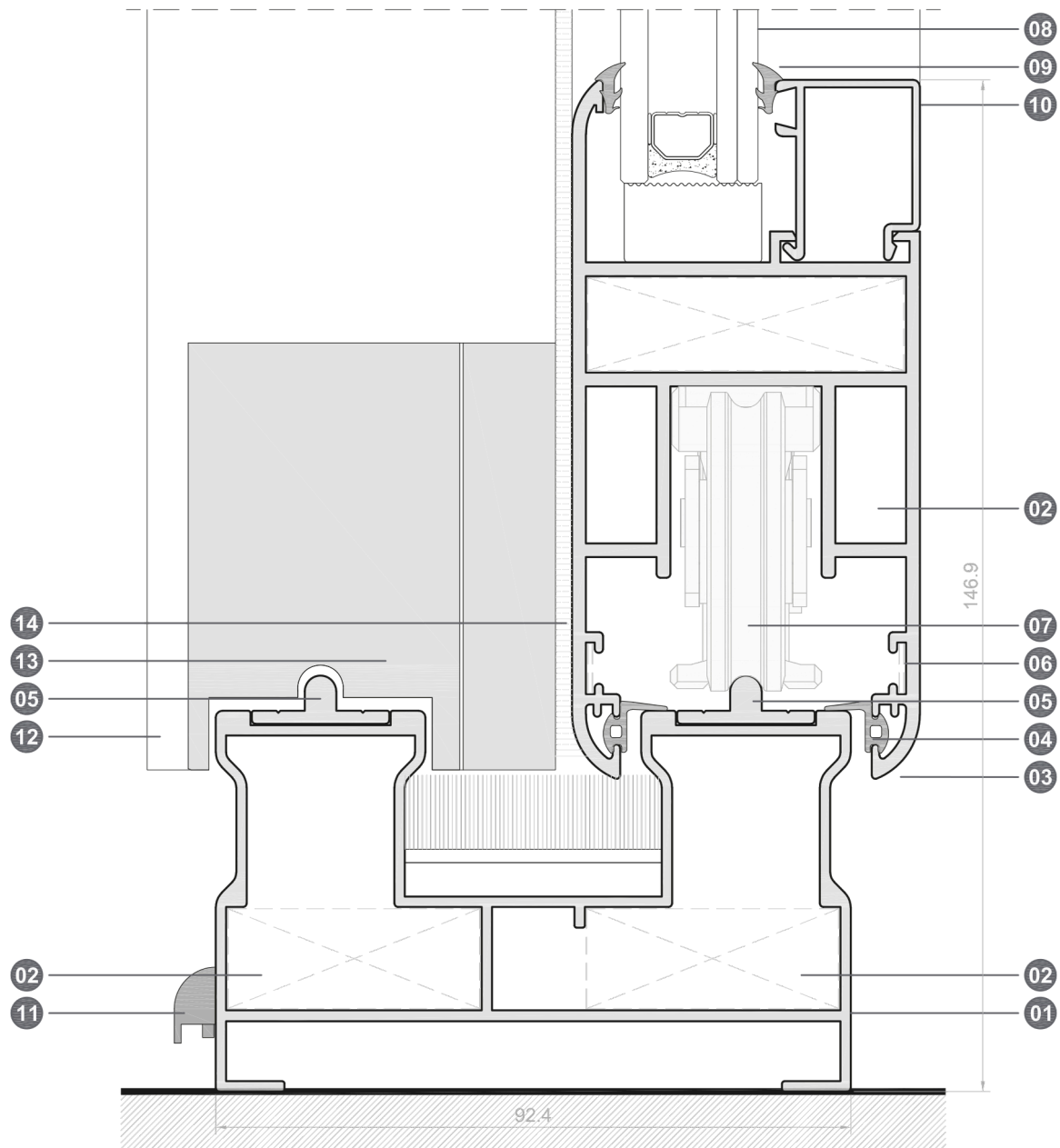
Dimensions and maximum recommended

weight



L	H	
3300 mm	3200 mm	400 kg

Dimensions and maximum recommended weight for 1 sheet With lifting hardware and additional trolley. Consult weight and dimensions for other models.



- | | | | |
|----|------------------------------------|----|---------------------------------|
| 01 | perimeter marker | 08 | 22 mm galce junquillos |
| 02 | Union Squad | 09 | EPDM glazing gasket |
| 03 | Perimeter sheet | 10 | Wide variety of glazing options |
| 04 | Leaf sealing gasket | 11 | Drain |
| 05 | Guide coupling for perimeter frame | 12 | center leaf coupling |
| 06 | Alignment square | 13 | Center leaf cap kit |
| 07 | Bearing | 14 | 6.5x7 mm brush for center blade |

EXLABESA ARCHITECTURE

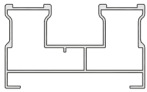
02

PROFILES

P those/perimeters/inertias

EXL-4757


perimeter marker



kg	1,717
mm	777
lx	19,58
ly	65,52

EXL-4636

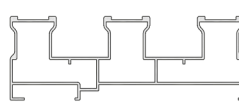
Perimeter sheet



kg	2,061
mm	779
lx	29,59
ly	44,84

EXL-28173


154.3 mm three-rail frame



kg	2,631
mm	1198
lx	28,92
ly	242,73

EXL-4637


Leaf coupling



kg	0,685
mm	303
lx	6,23
ly	7,10

EXL-4680


Leaf coupling for non-lifting hardware



kg	0,197
mm	106
lx	0,042
ly	0,60

EXL-4796


Rail for perimeter frame



kg	0,160
mm	52
lx	0,019
ly	0,12

U046


15 mm bead



kg	0,236
mm	160
lx	0,63
ly	0,27

U032

31 mm bead



kg	0,290
mm	192
lx	0,80
ly	1,04

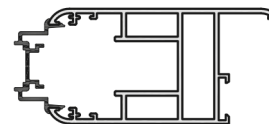
T-1606-S

Leaf Union - In-line sliding coupling



Optional lock support coupling
central meeting of leaves

EXL-4636



Symbolism

Icons / Description



Miter joint bracket



Drill machining



Crossbar stop



Machining with a milling machine



Polyethylene foam



Die machining



Glazing wedge



Drain



Tightening procedure



Screw



Silicone sealing



Set of lids



Operation marking



Part/accessory



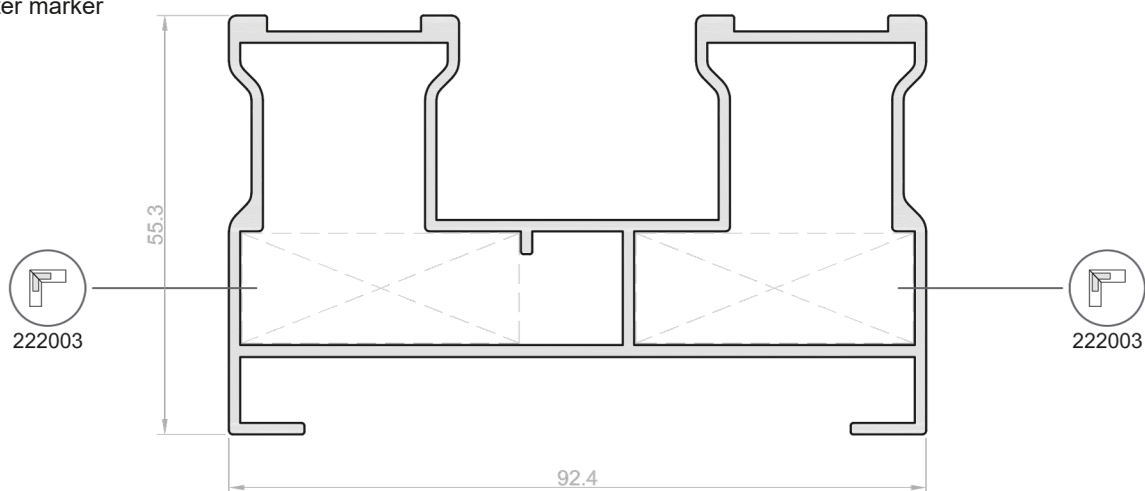
Performing manual cutting



Hardware

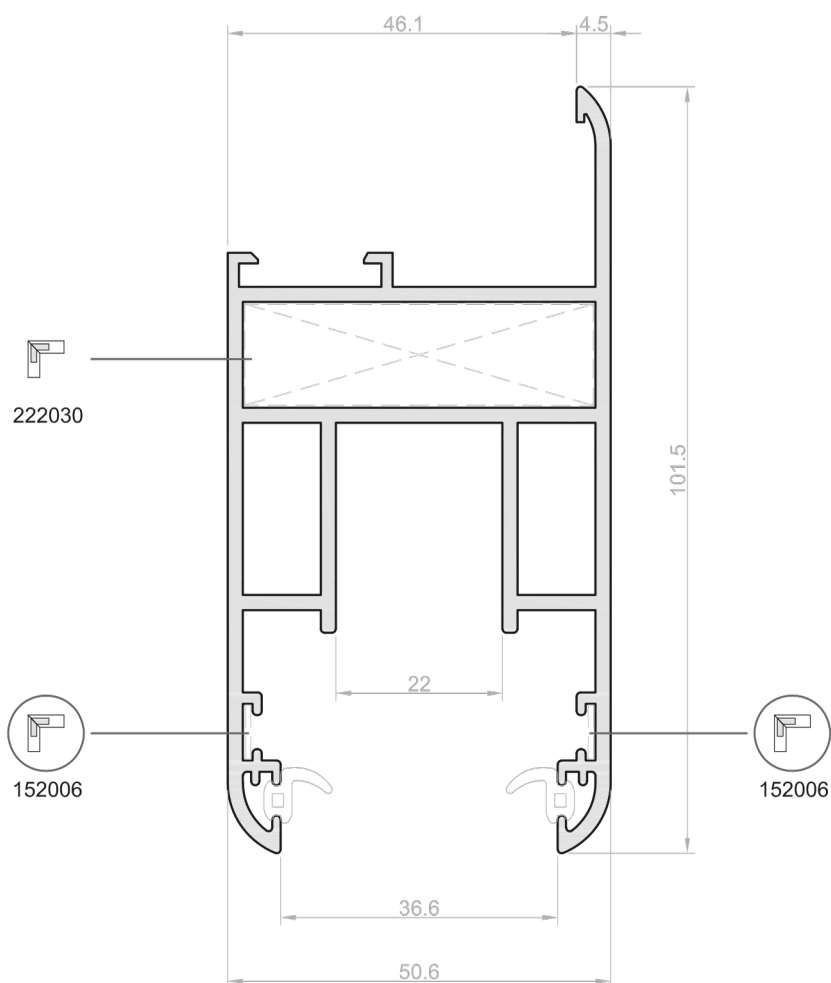
E X L-4757

perimeter marker



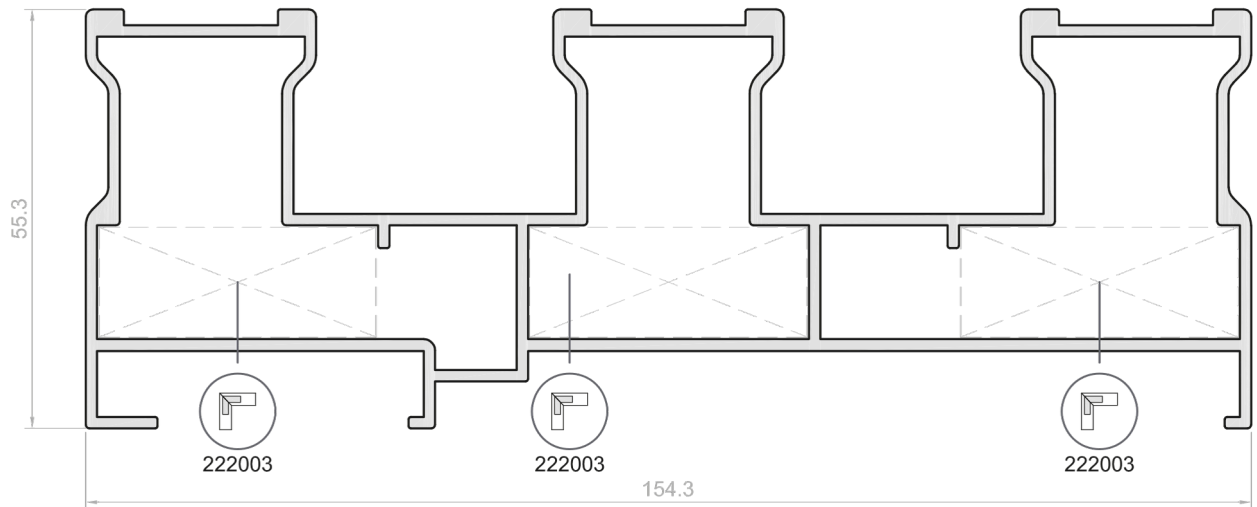
E X L-4636

Perimeter
sheet



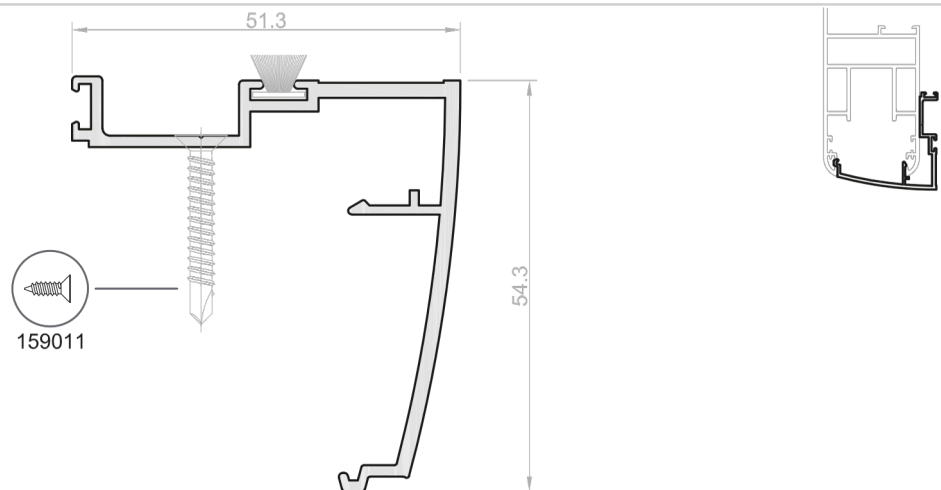
E X L-28173

Frame 154,3 mm



E X L-4637

Leaf coupling



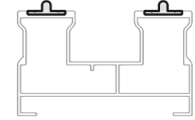
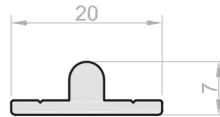
E X L-4680

Leaf coupling for non-lifting hardware



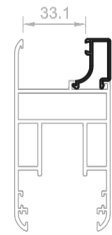
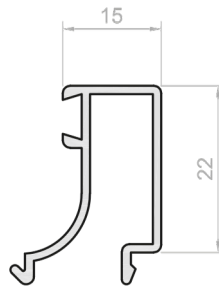
E X L-4796

Perimeter frame rail



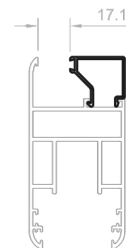
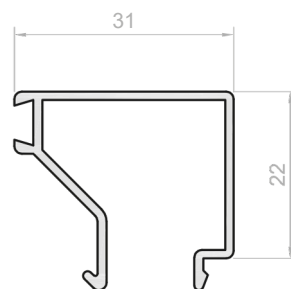
U046

15 mm trim



U032

31 mm trim



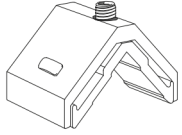
EXLABESA
ARCHITECTURE

03

ACCESSORIES

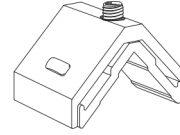
The teams Together T apas

Liftable Series Joining Bracket **EXL-222003**



Unfinished Unit

Liftable Series Joining Bracket **EXL-222030**



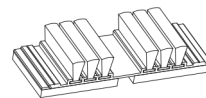
Unfinished Unit

Alignment square **UA003**



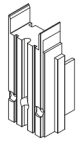
Unfinished Unit

Windbreaker **EXL-112001**



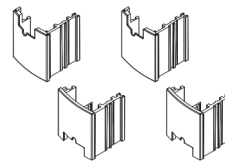
Black Unit

Side stop for upper guide **EXL-218002**



Black Unit

Crossover caps for **EXL-129003**



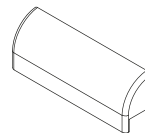
Black Kit

7x5.5 mm brush with blade for center attachment **U012**



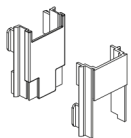
Gray M

Drain with sheet **UA015**



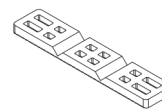
Black Unit
and Unit
White

Set of covers for T-1606-S (leaf joining) **EXL-241018**



Black Game

Glazing wedge



YZ.031	100x20x1 mm	Unit
YZ.032	100x20x3 mm	Unit
YZ.033	100x20x3 mm	Unit
YZ.034	100x20x3 mm	Unit
YZ.035	100x20x3 mm	Unit
YZ.036	100x20x3 mm	Unit

Sealing gasket for crossing covers **UI002 (EPDM)**



Black M

liftable joint **EXL-110002 (EPDM)**



Black M

2mm glazing gasket **UI005 (EPDM)**

Black

M



3mm Glazing Seal **UI006 (EPDM)**

Black

M



Glazing gasket 4mm **UI007 (EPDM)**

Black

M



6mm Glazing gasket **UI009 (EPDM)**

Black

M



5mm Glazing Seal **UI008 (EPDM)**

Black

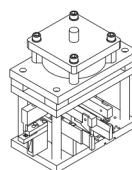
M



Die with air cushion for Elevable series

Black

Unit



EXLABESA ARCHITECTURE

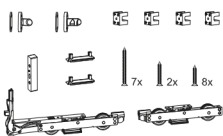


HARDWARE

Multipoint
Handles
and Locks

LIFTABLE KIT (WHITE - BLACK)

300 kg lifting kit



Premium interior lift handle with keyhole (with screws)



Cremone bolt hardware for sash height. Silver



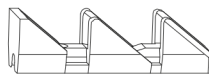
Premium external lifting fingernail (with screws)



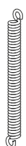
Ø8 mm connecting rod for blade width



Liftable aeration clamp



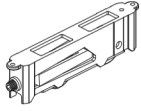
Spring for lifting cremone bolt (150 kg)



LINEAL SERIES

Zamak tandem bearing (220 kg/leaf) / EXL-120031 linear slide

Black Unit



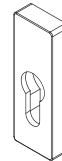
Multipoint locking shim UA077.1 / Linear slider UA021.1



Multipoint entry 30 (1600 mm) / Linear slide UA077.1



Interior light bulb trim



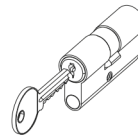
UA082	White	Unit
UA082	Black	Unit

Large multipoint handle / Linear slide



EXL-127100	White	Unit
EXL-127101	Black	Unit

Standard key cylinder (30x30 mm) 15 mm cam



UJ030
UA085

EXLABESA
ARCHITECTURE

05

SECTIONS

Typical sections Horizontal sections
Vertical sections

Symbolism

Icons / Description



Miter joint bracket



Drill machining



Crossbar stop



Machining with a milling machine



Polyethylene foam



Die machining



Glazing wedge



Drain



Tightening procedure



Screw



Silicone sealing



Set of lids



Operation marking



Part/accessory



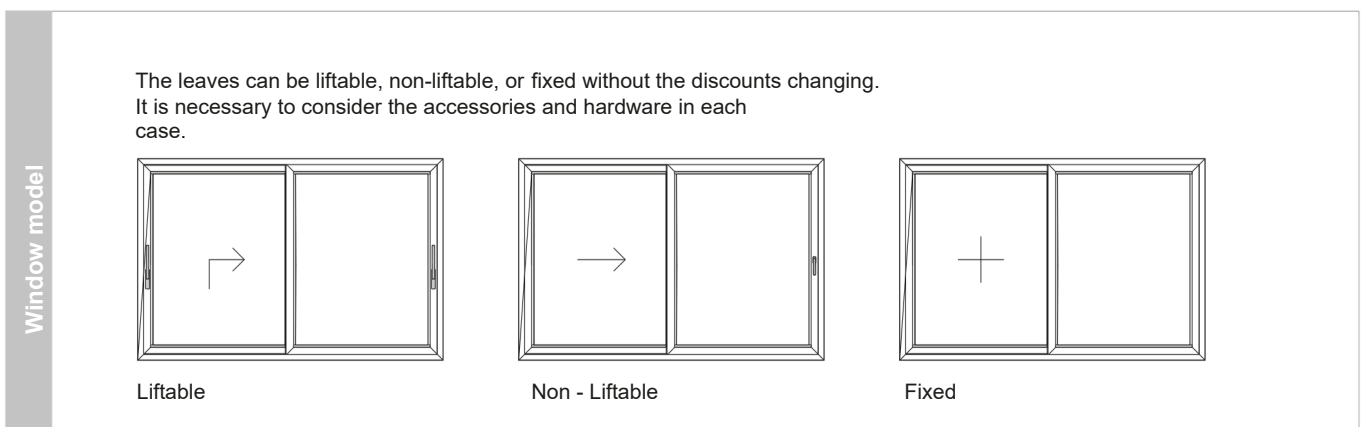
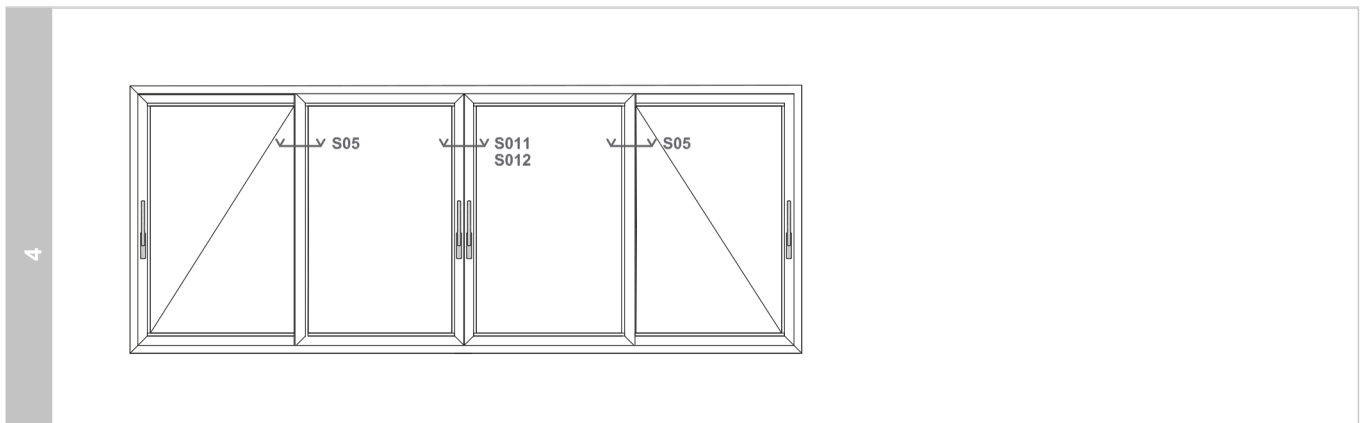
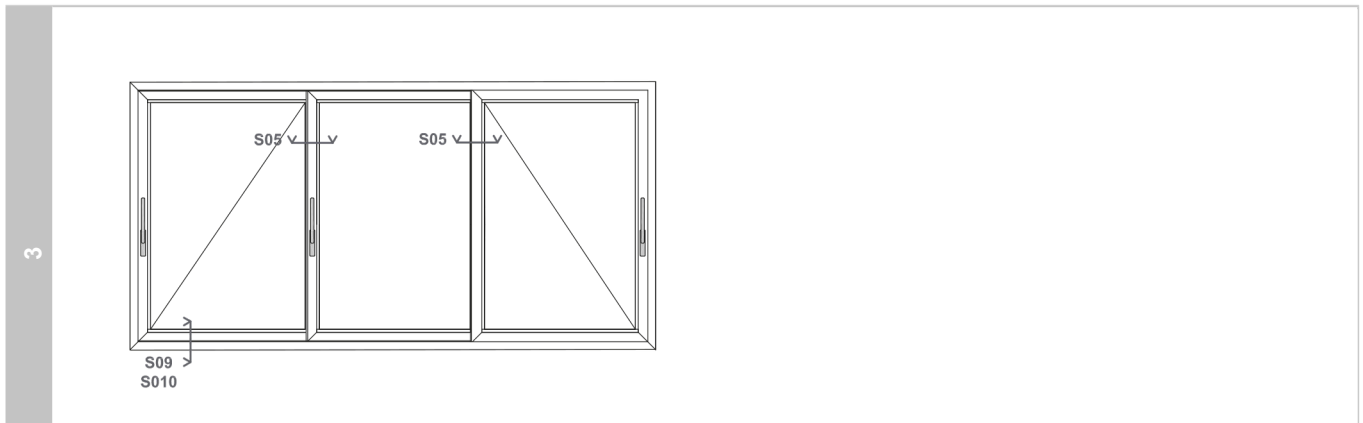
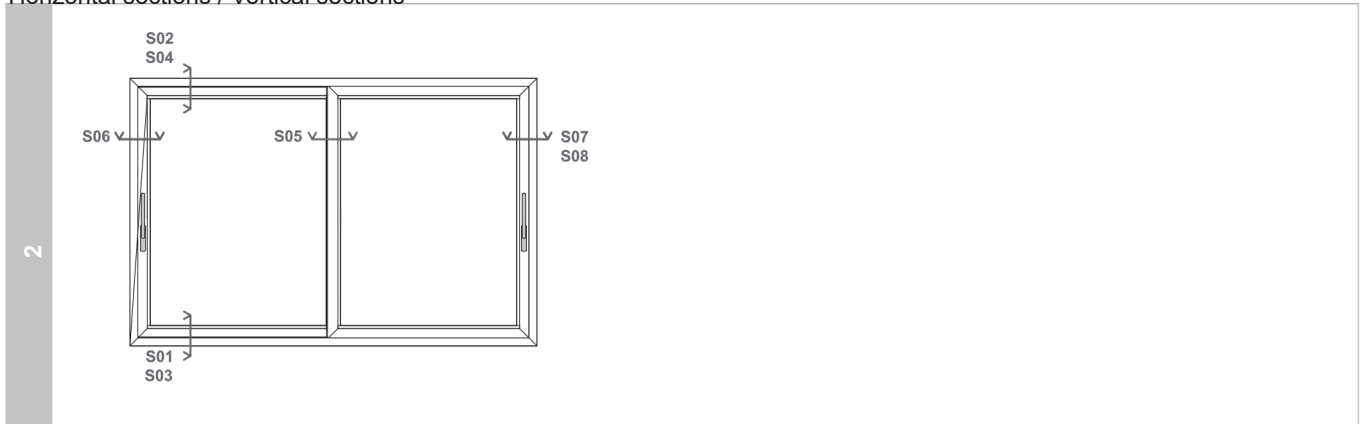
Performing manual cutting



Hardware

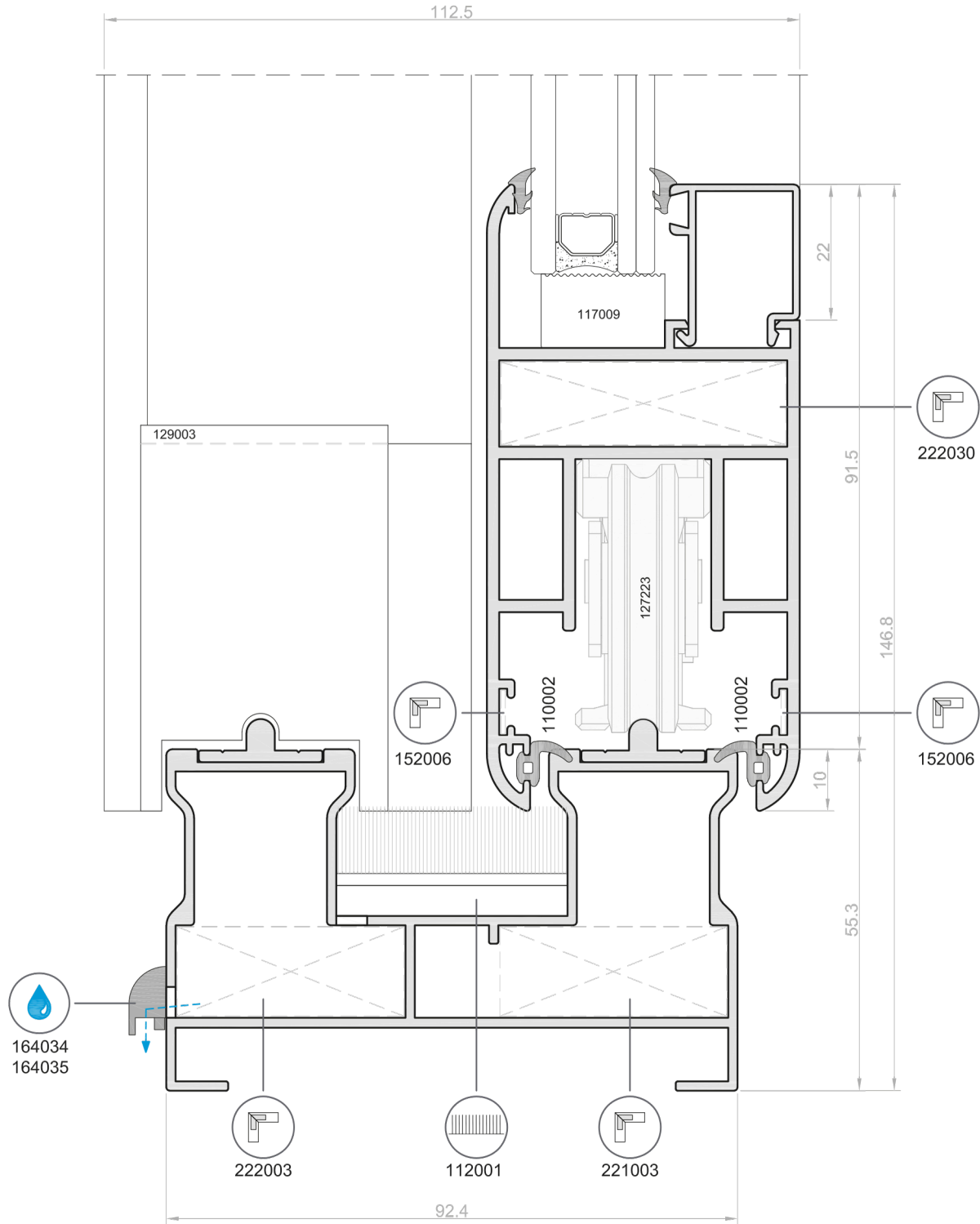
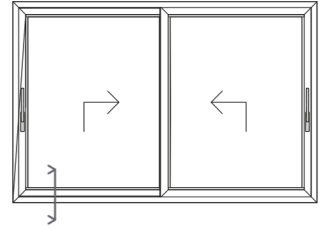
Index

Horizontal sections / Vertical sections



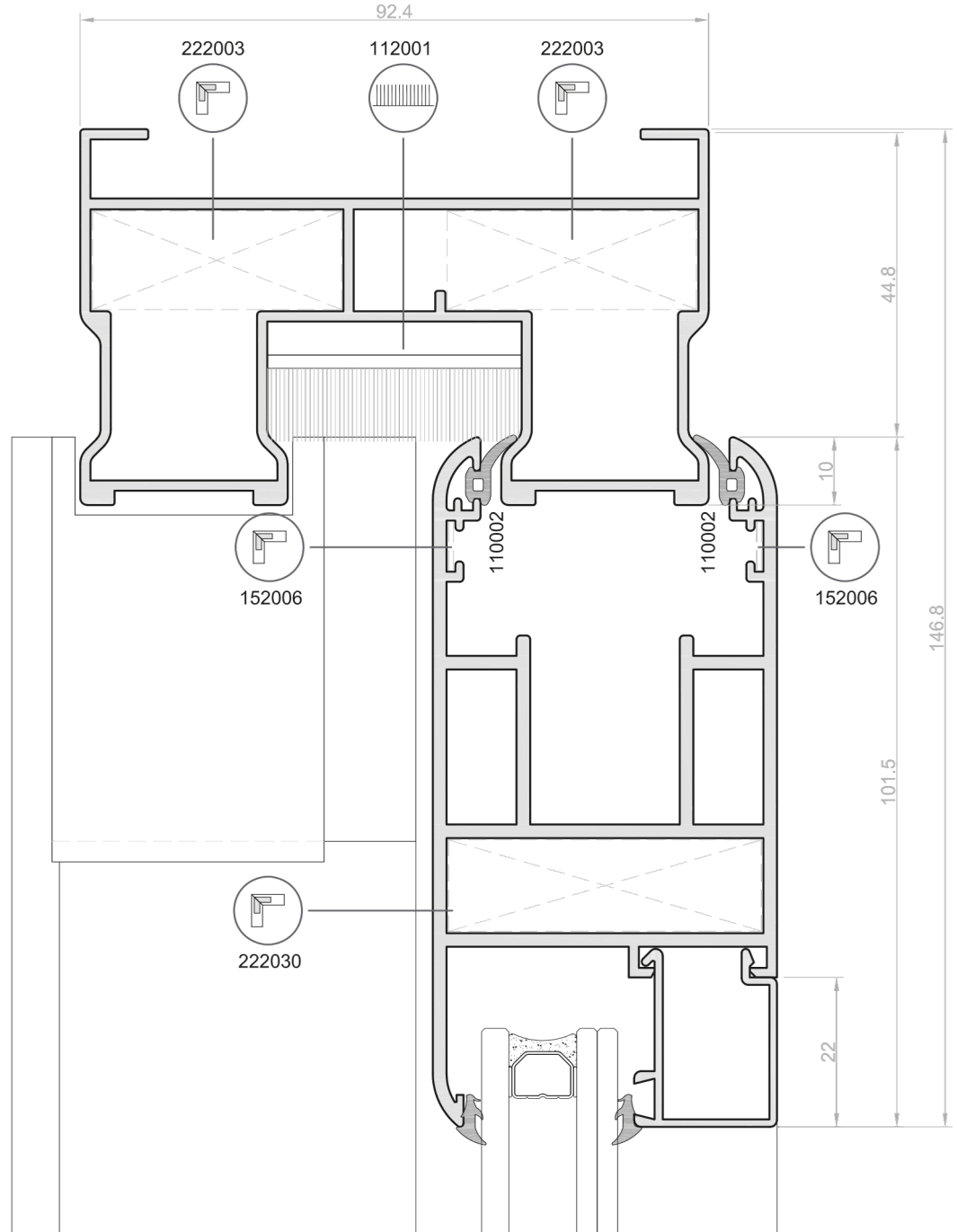
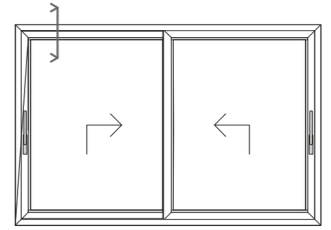
S01

2-leaf lift-and-slide window



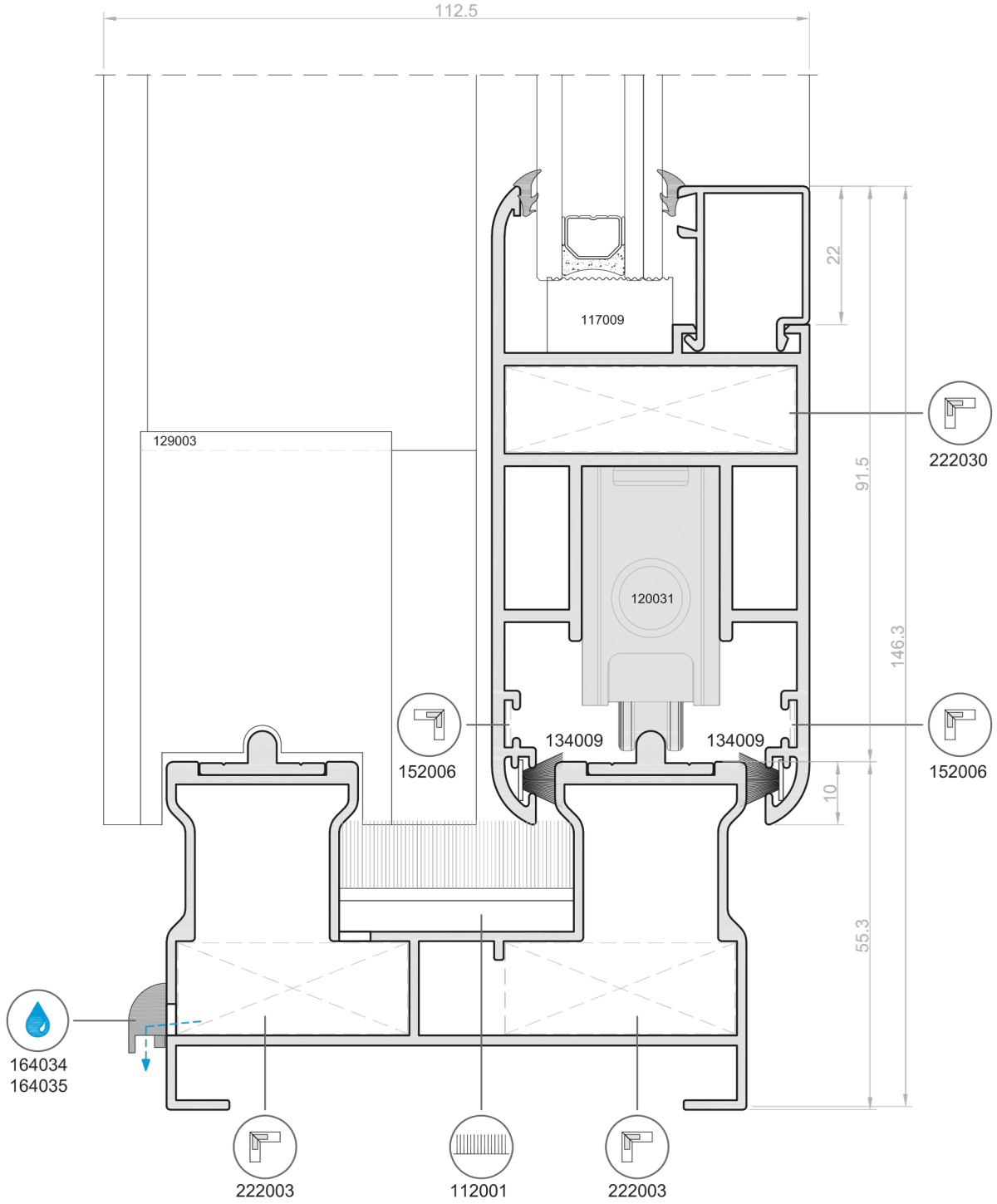
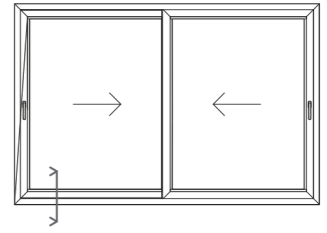
S02

2-leaf lift-and-slide window



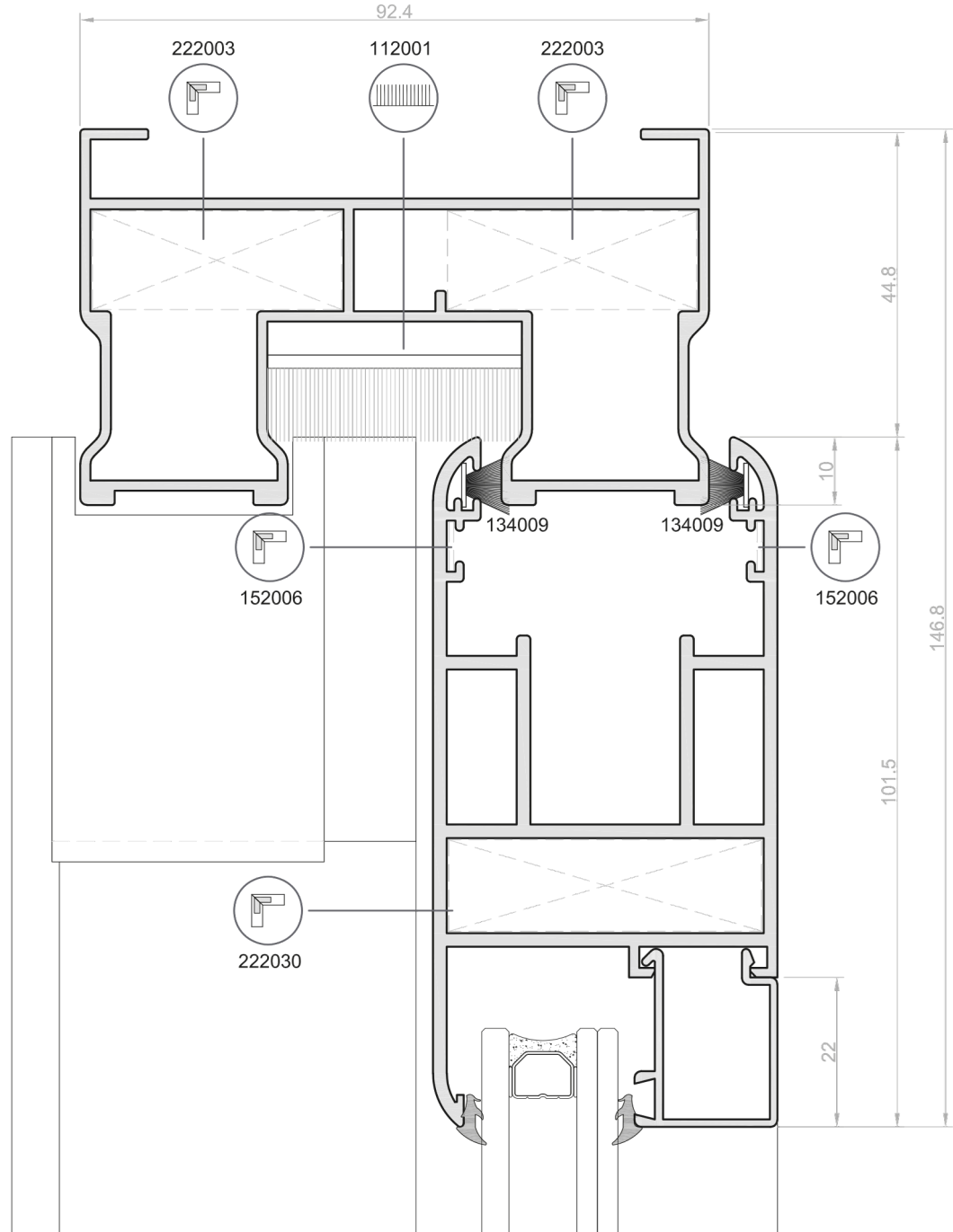
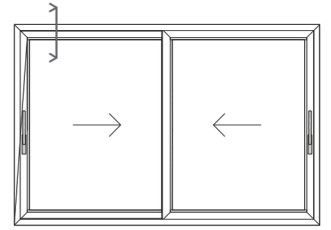
S03

2-leaf in-line sliding window



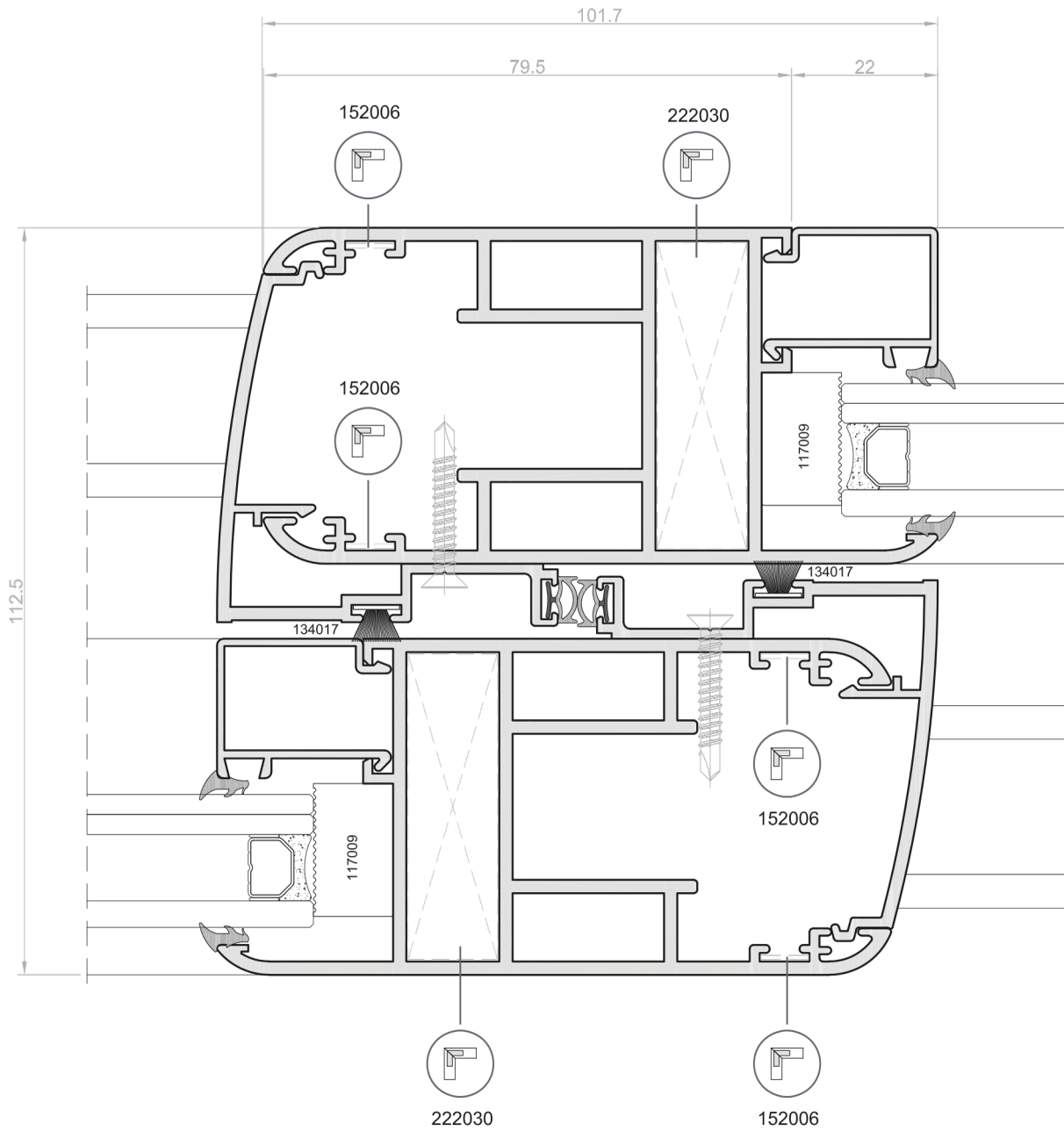
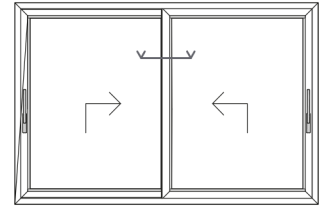
S04

2-leaf in-line sliding window

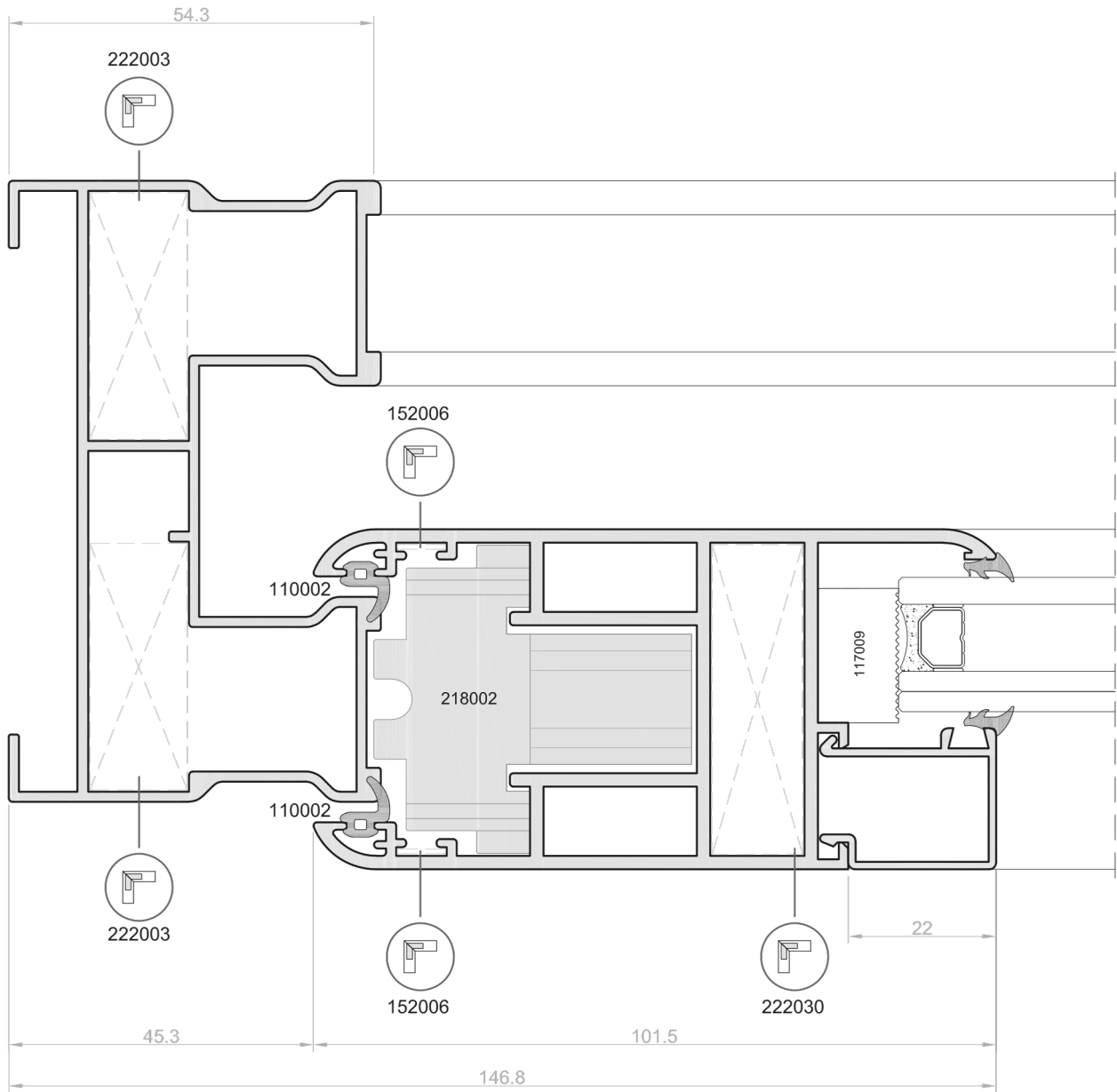
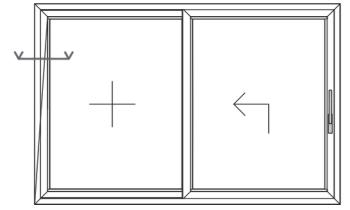


S05

2-leaf lift-and-slide window

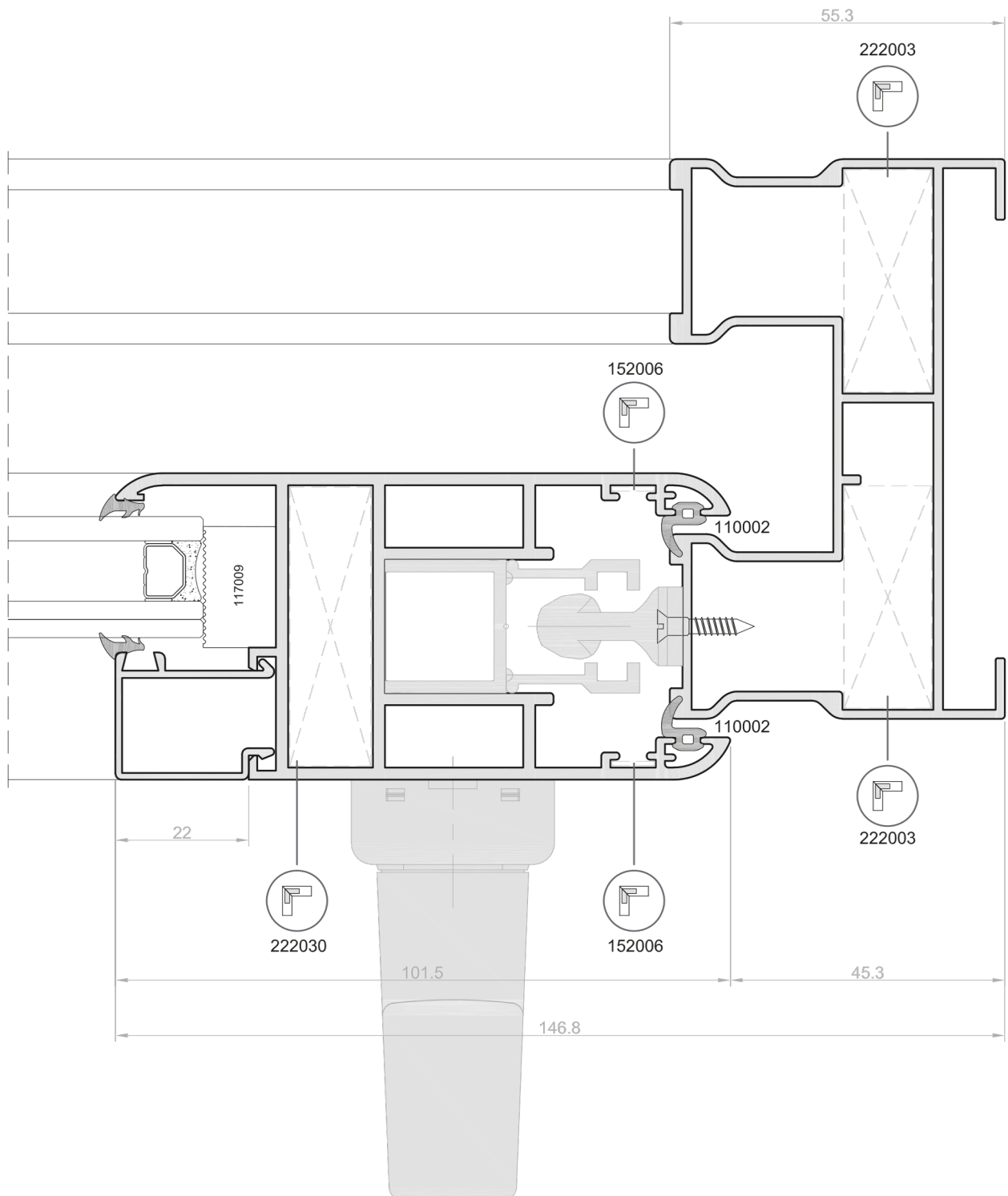
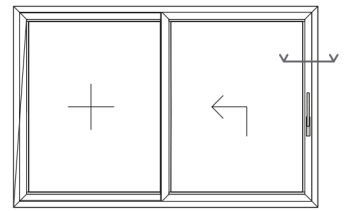


2-leaf lift-and-slide window



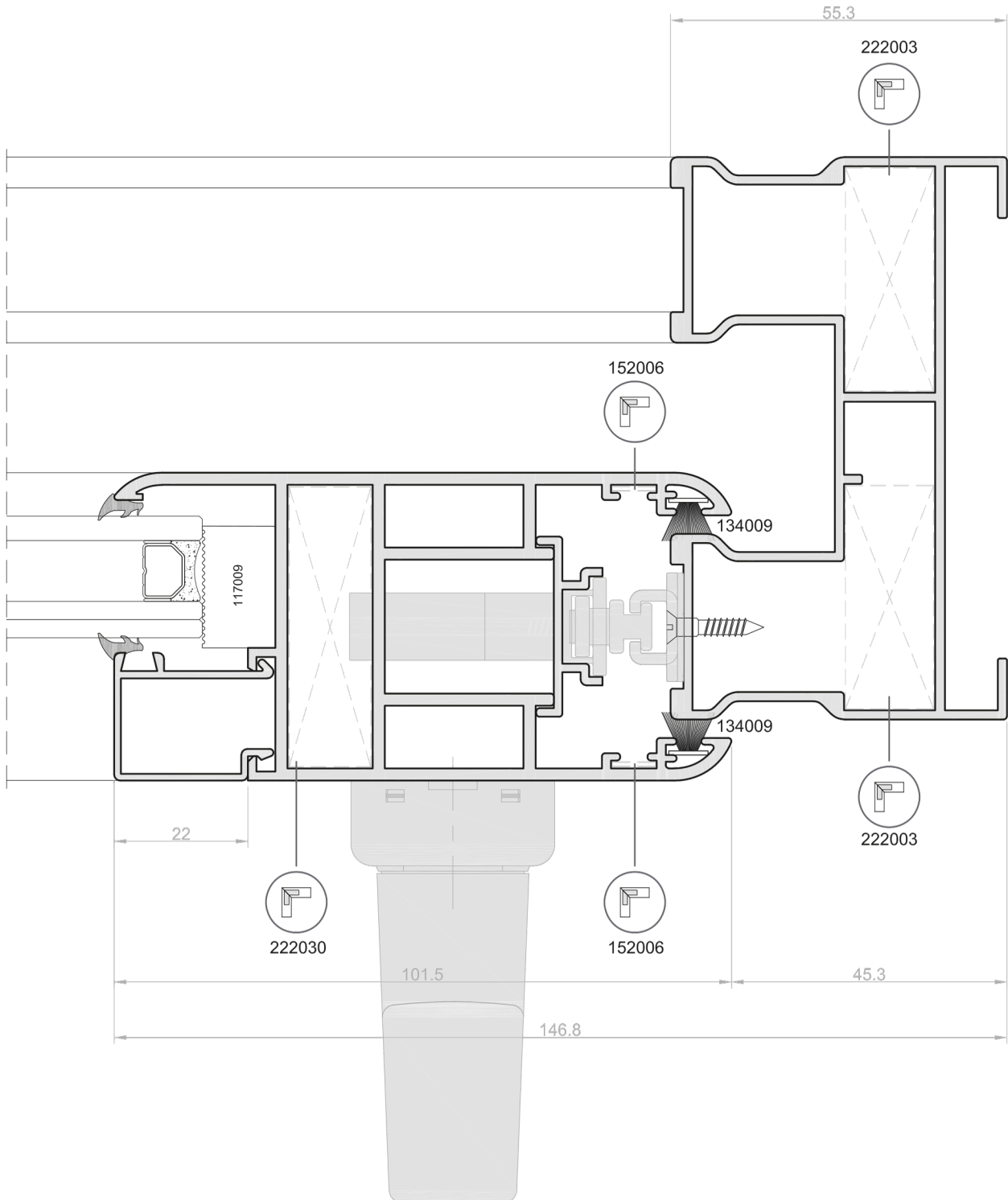
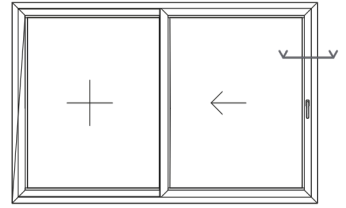
S07

2-leaf lift-and-slide window



S08

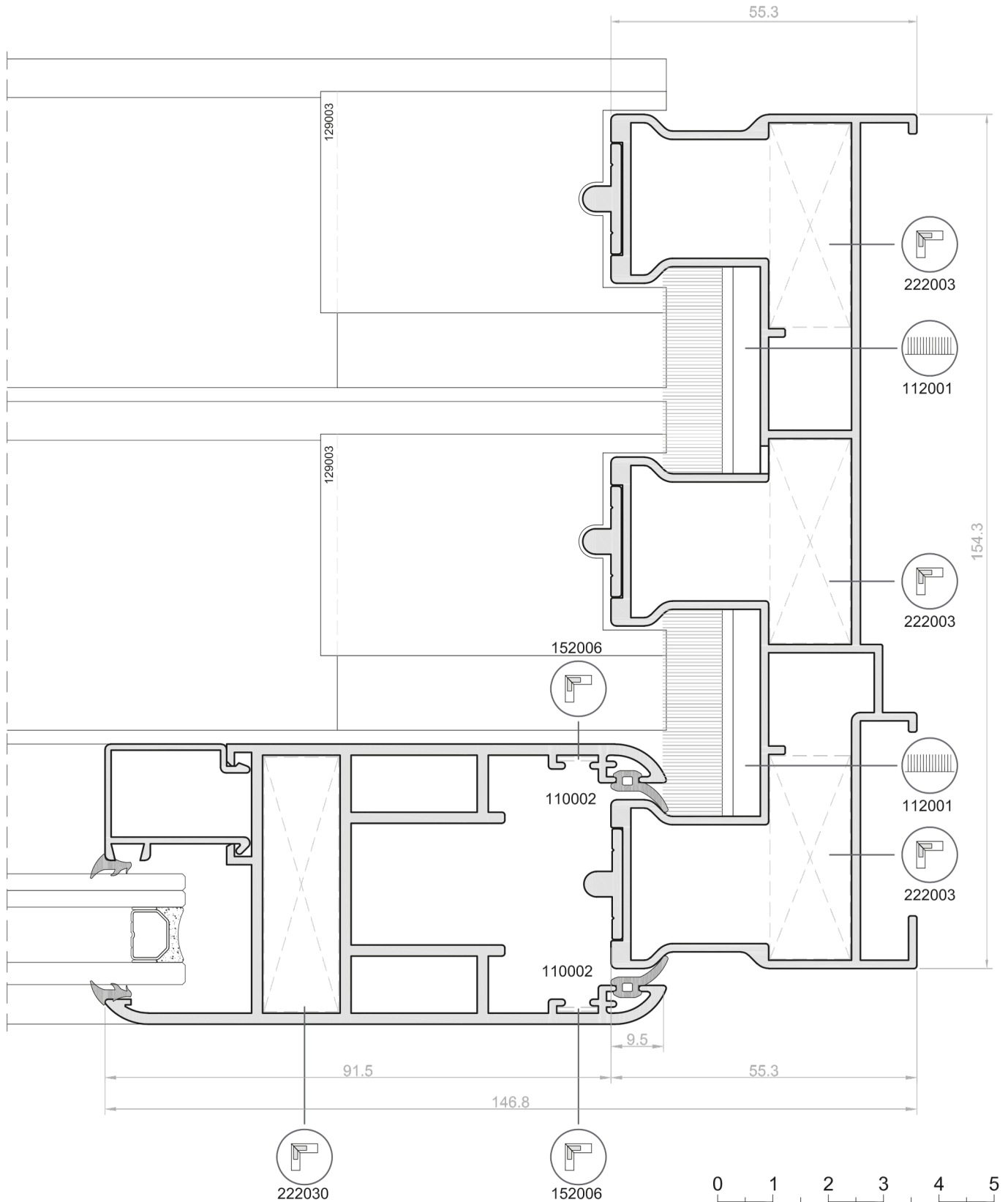
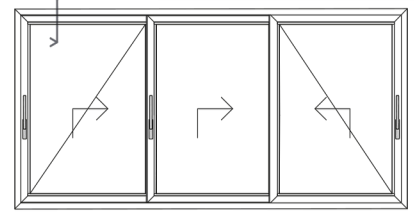
2-leaf in-line sliding window



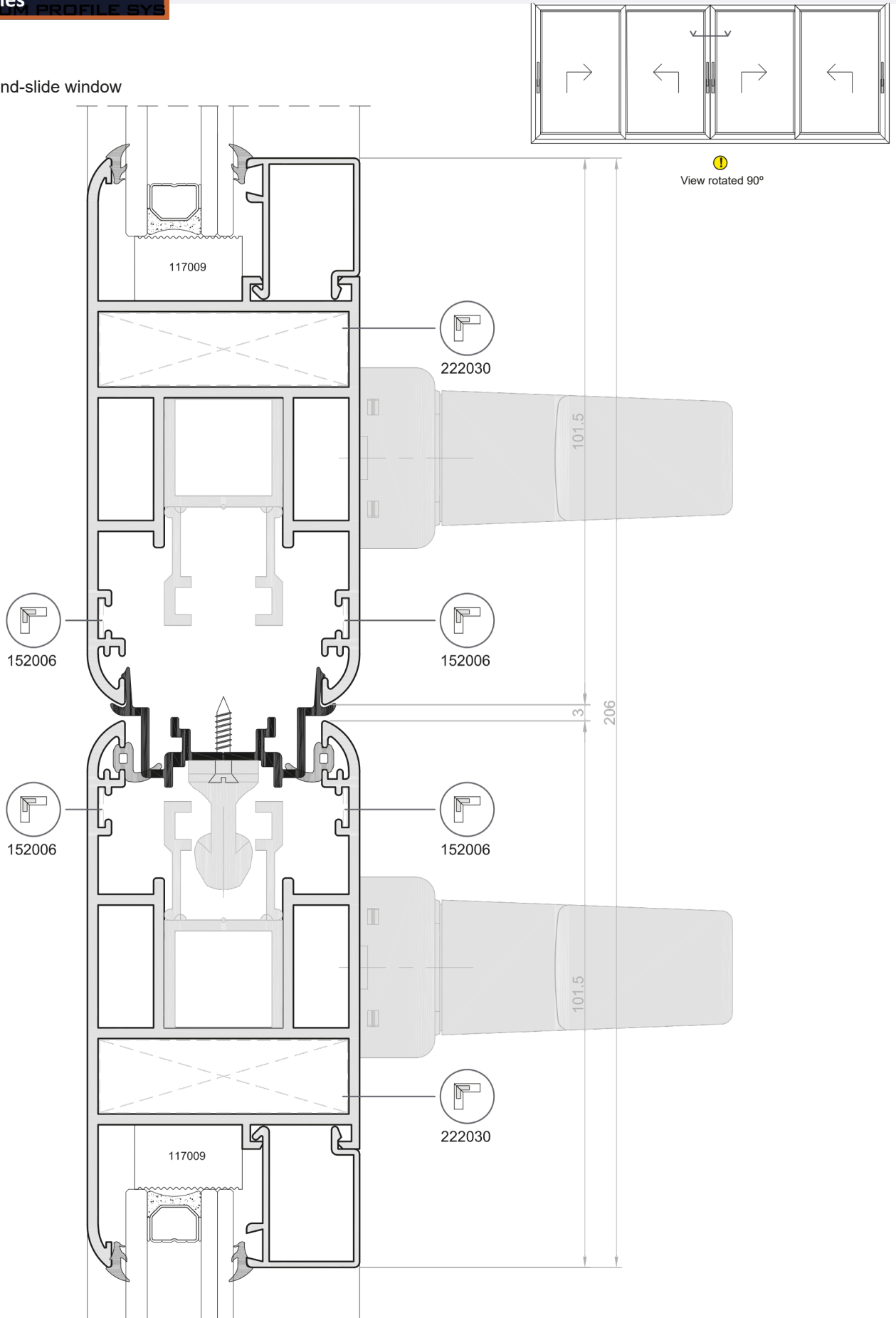
S10

2-leaf lift-and-slide window

 View rotated 90°

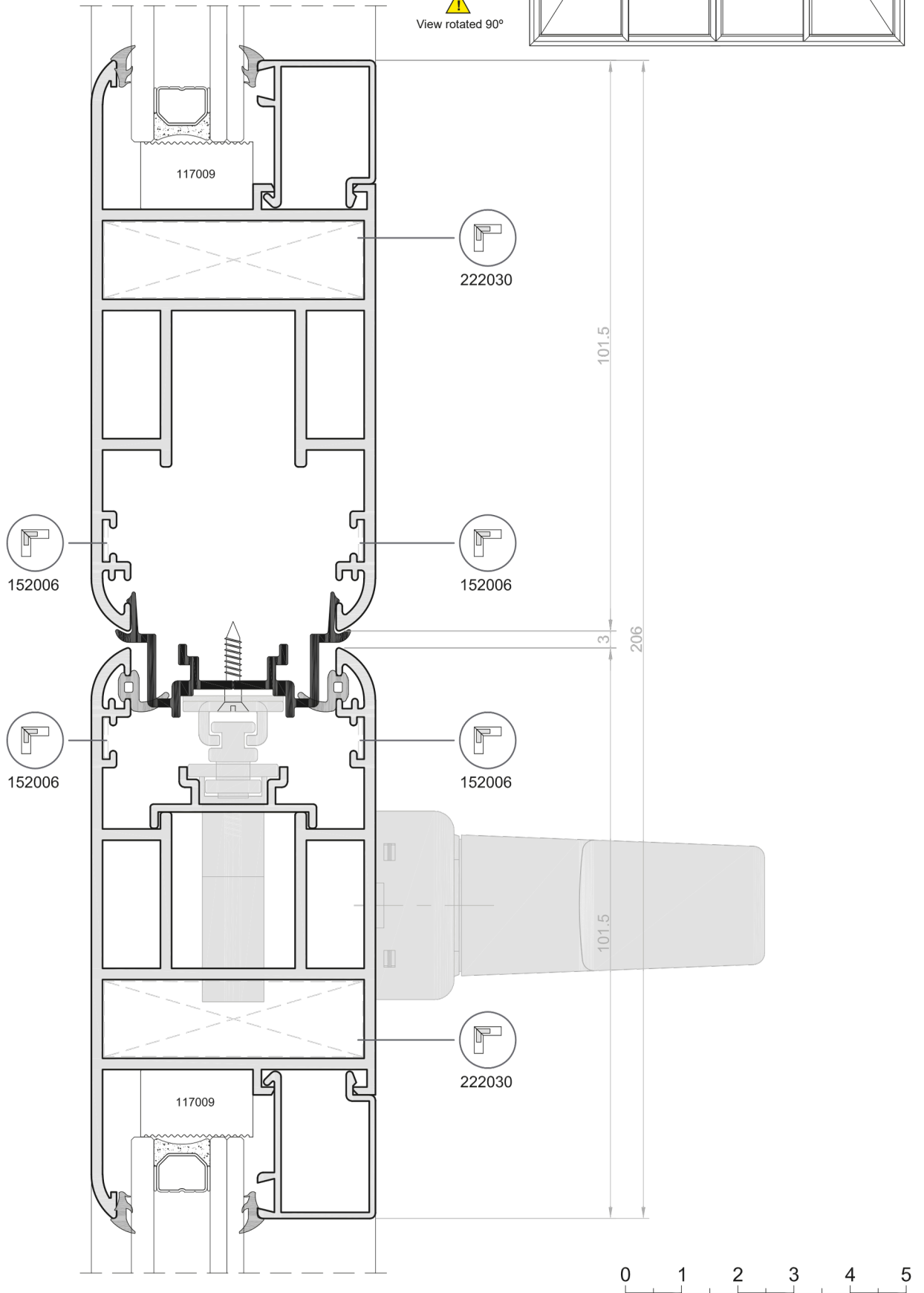


4-panel lift-and-slide window

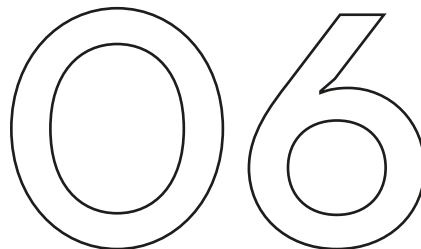


S12

4-panel sliding window



EXLABESA ARCHITECTURE

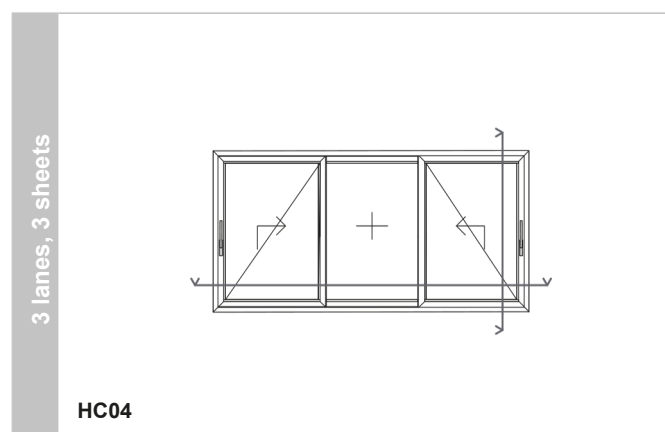
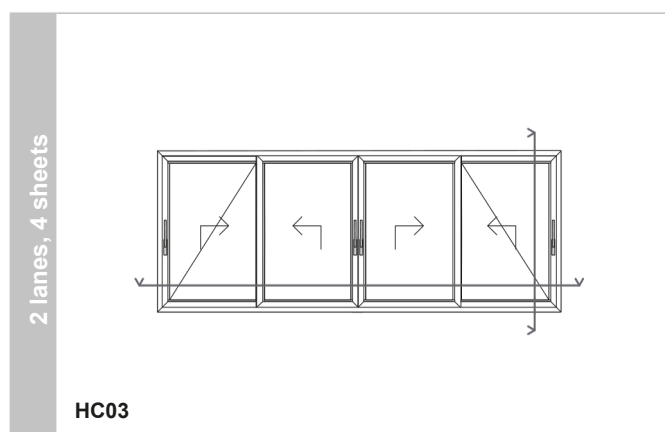
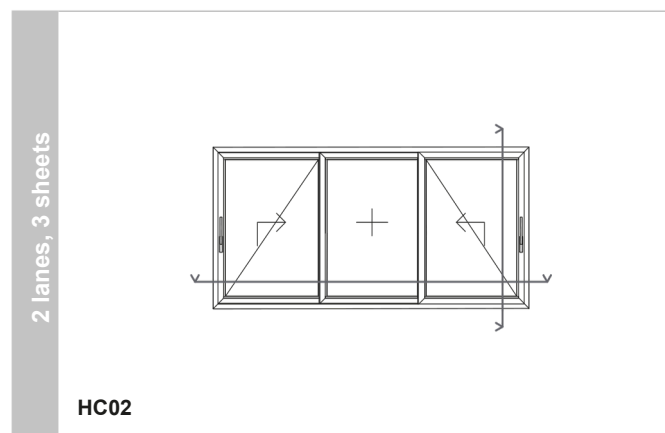
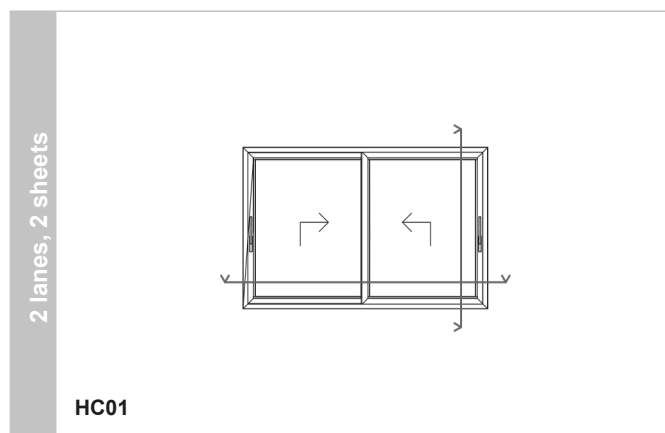


MONTAGES

Cutting sheets for
balcony windows

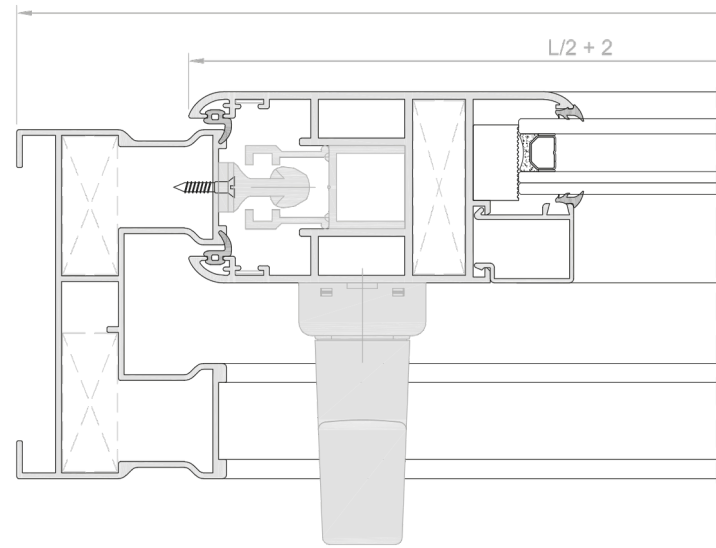
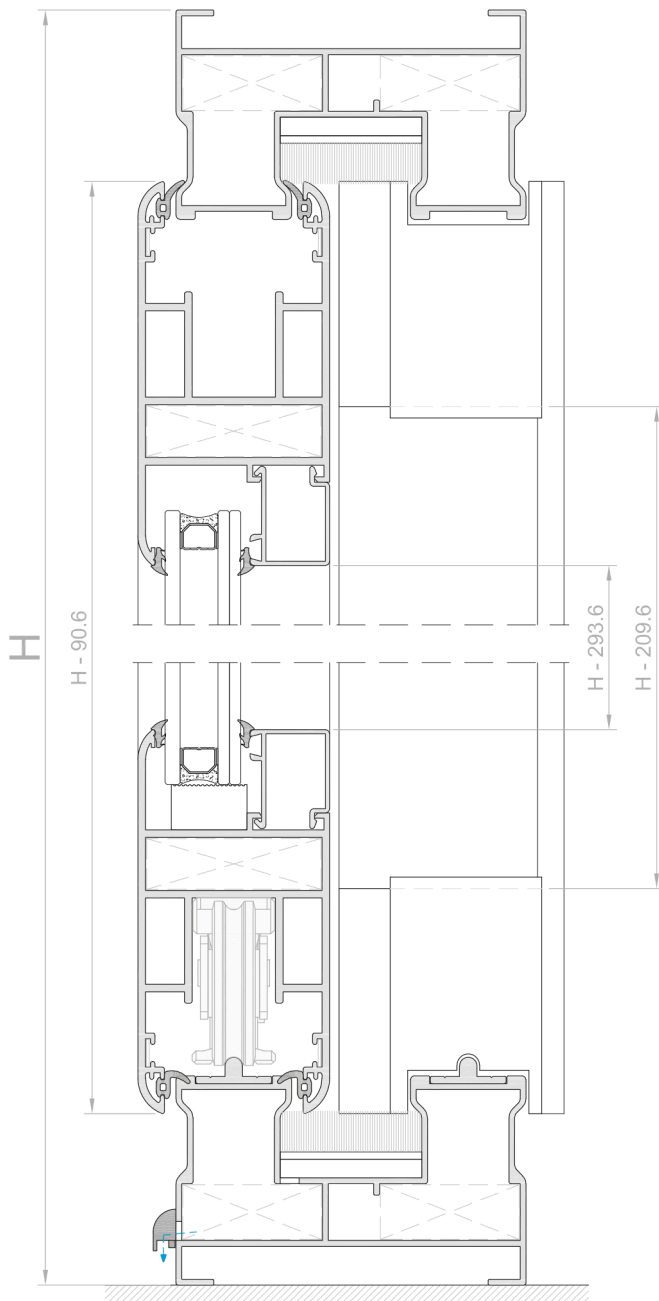
Index

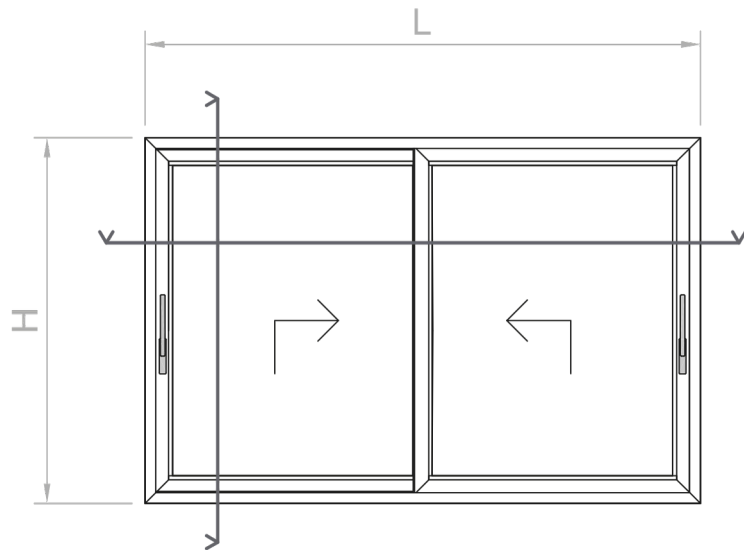
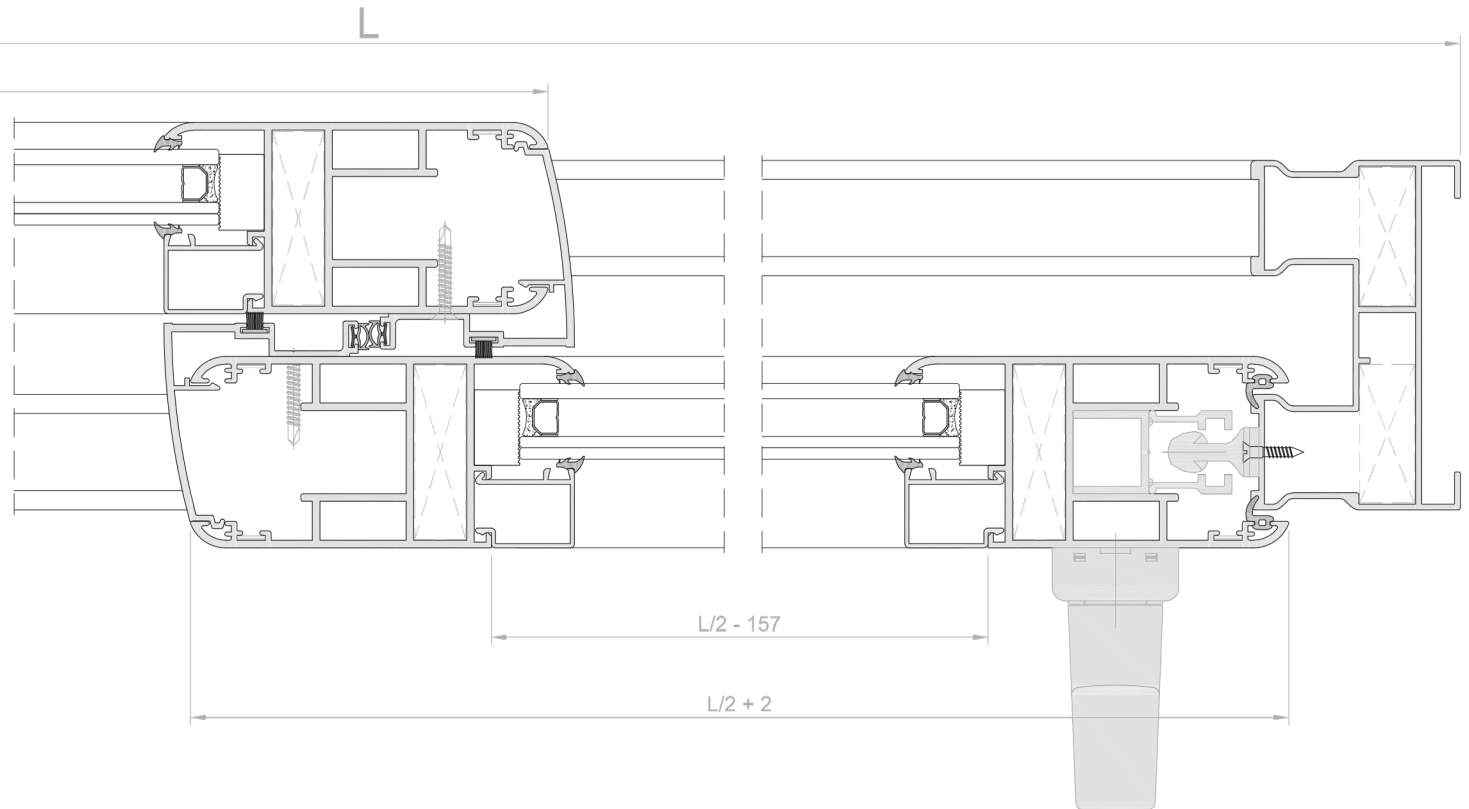
Cutting blades

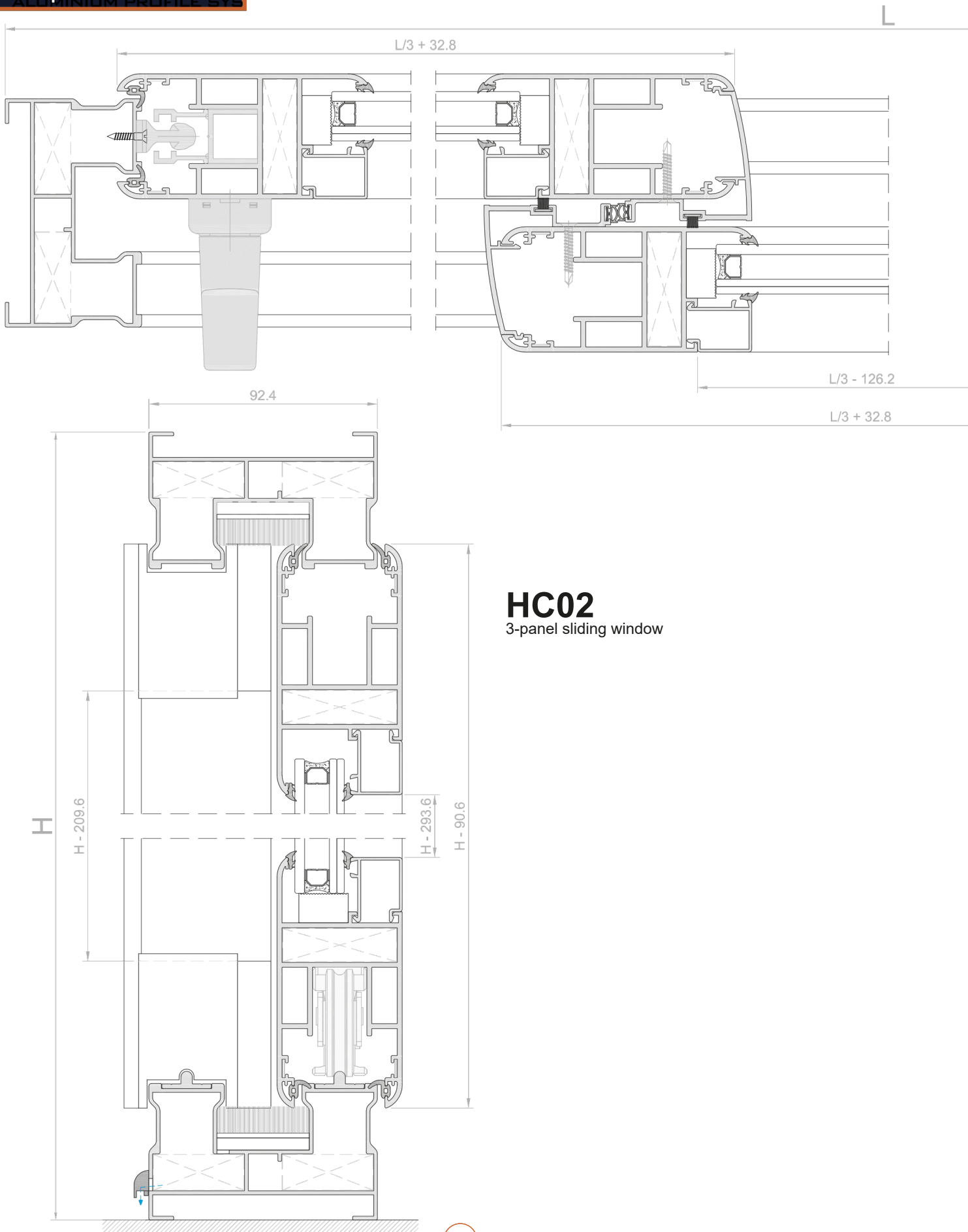


HC01

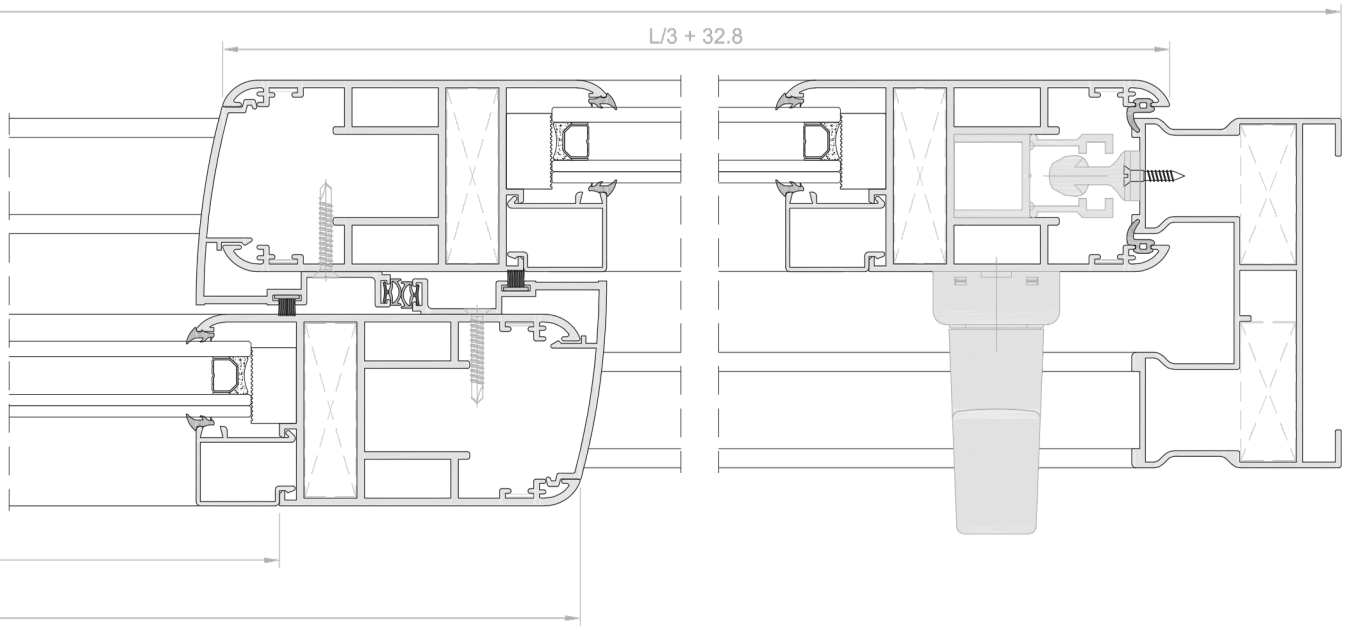
2-panel sliding window

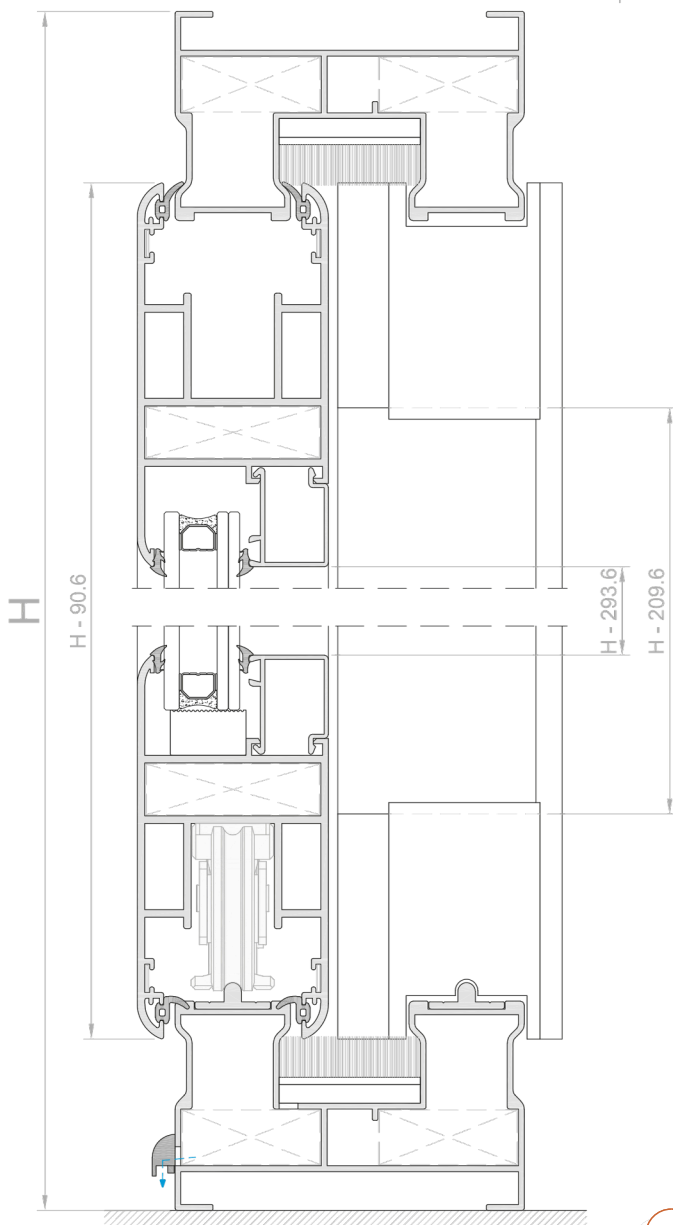
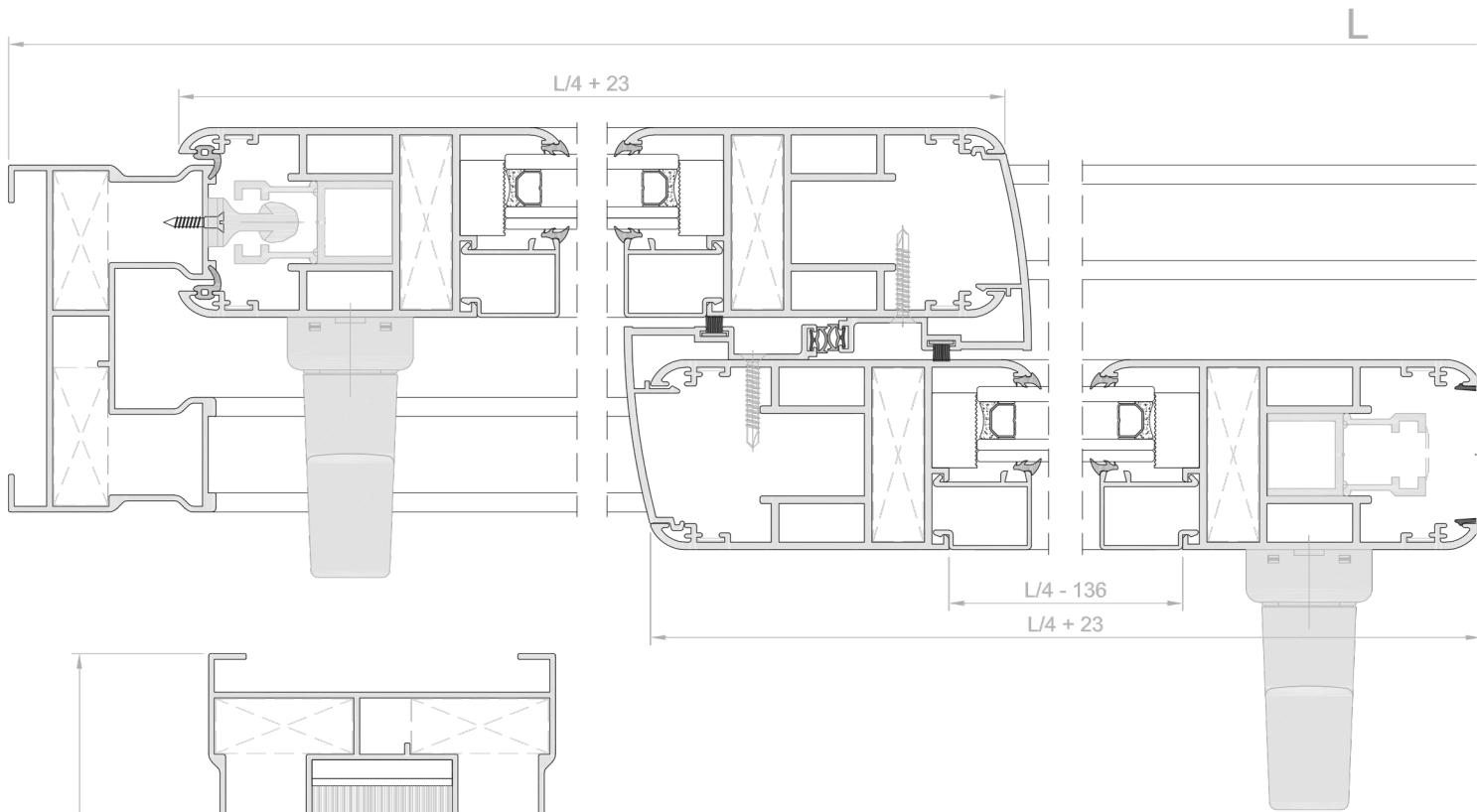






HC02
3-panel sliding window





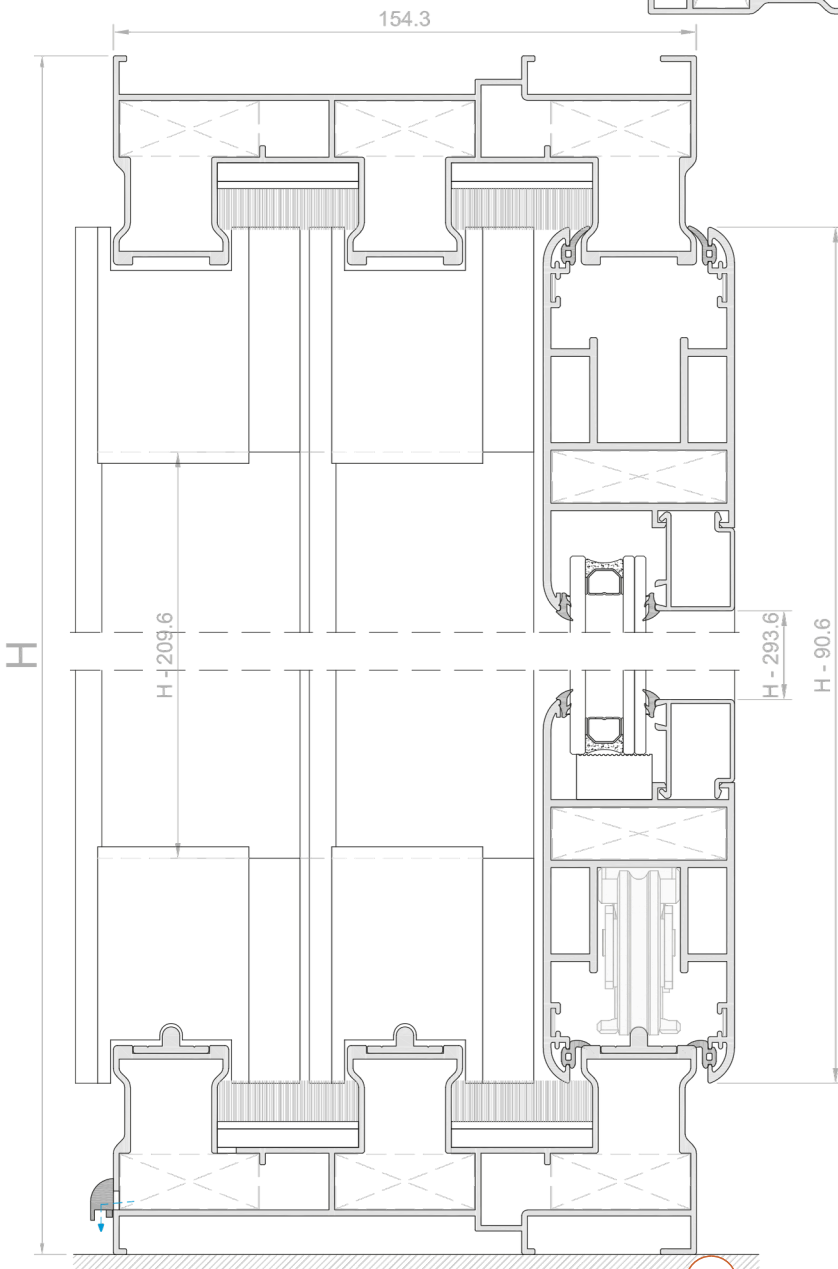
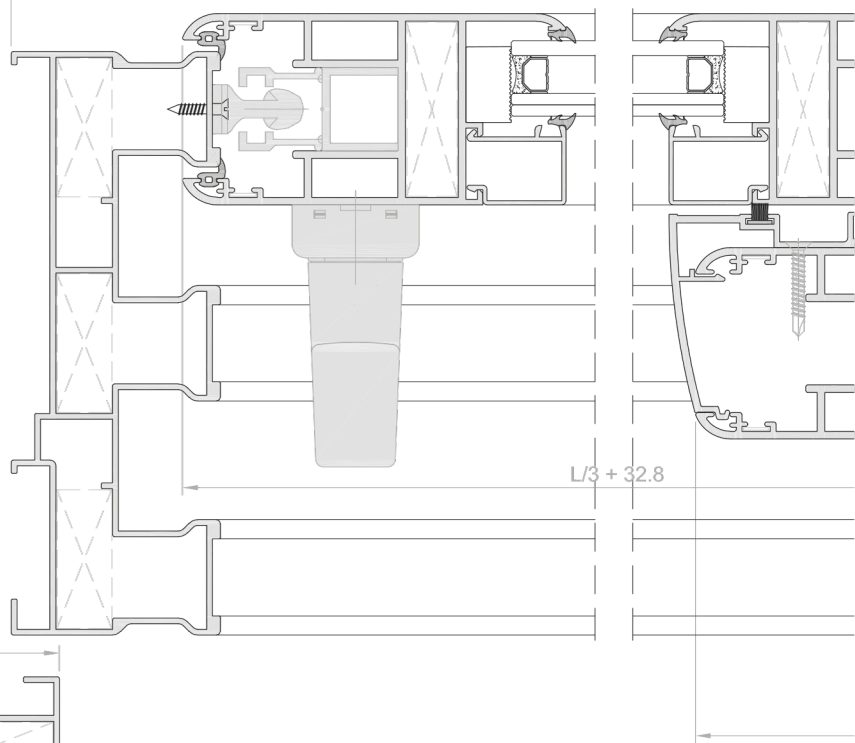
HC03

4-panel sliding window



HC04

3-leaf sliding window on 3 tracks



Aluminum profiles

