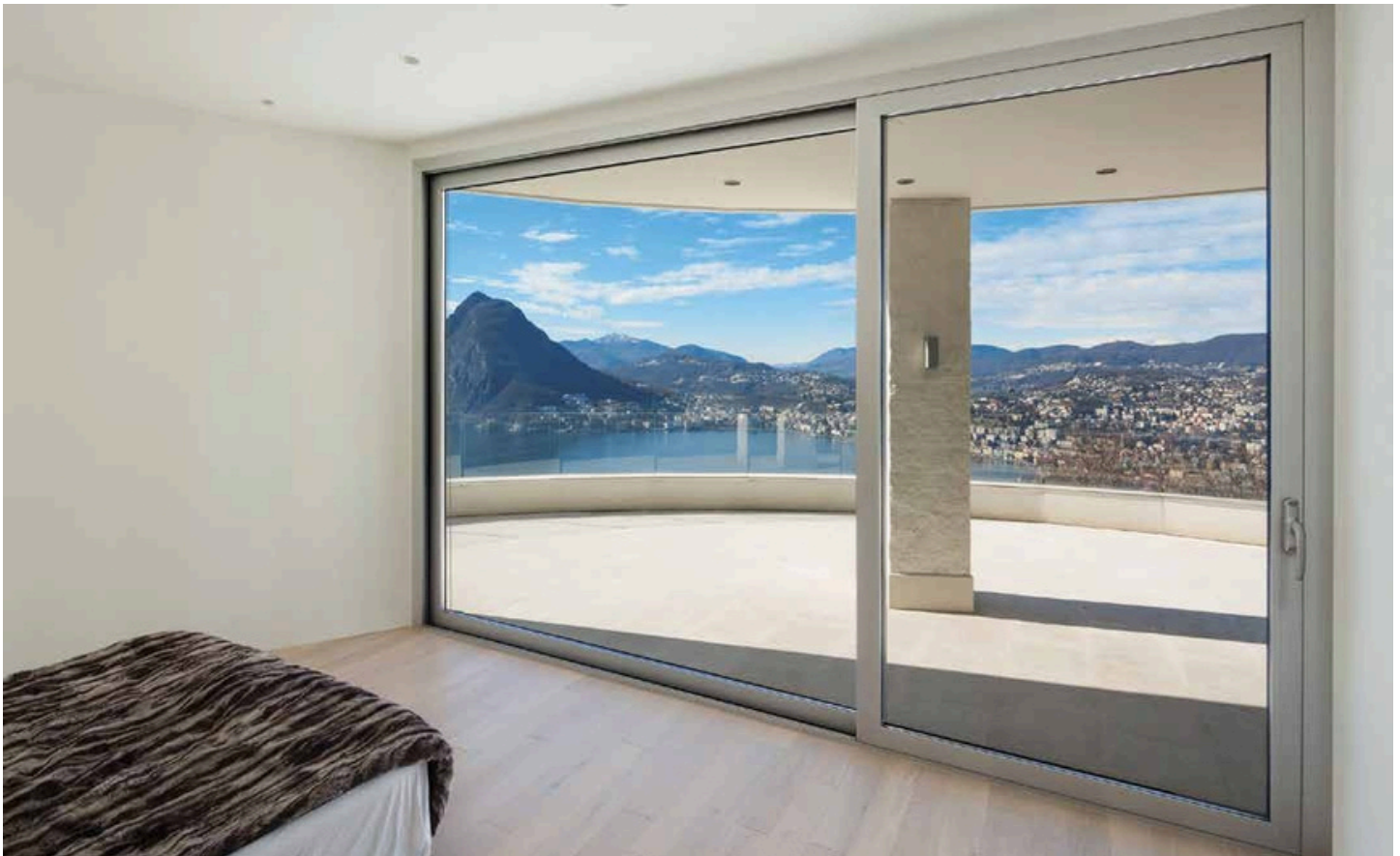




70 MM PERIMETER SERIES

Aluminum exterior joinery series, for sliding windows and balcony doors.





70 mm perimeter series

Characteristics

- High-end sliding system with perimeter frame and 45° mitered sashes. High performance thanks to the size of its sashes and frames with wide running tracks, allowing for large window and door installations.
- It has a variety of frames, leaves and leaf crossings, which allow it to cover all sliding options including large doors or windows and mosquito nets.
- Simple carpentry in assembly and design.
- Frame and leaf brackets to guarantee quality finish, good alignment and strength.
- Good thermal performance and watertightness (against water and temperature).
- Compatible with the 70mm wide hinged system (U005).
- It allows the incorporation of operable openings, crossbars and all the designs of the "45mm Folding" series.

Geometry of the series

- Perimeter frame with double rail of 45, 70 mm and triple rail of 105 mm.
- Sheets of 28 x 66 mm.
- Reinforced sheet.
- Thickness of 1.4 mm.
- 45° cutting blades.
- Union through squads.
- Glass gap 10 and 22 mm.

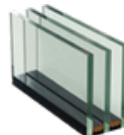
Glazing

- Maximum thickness of glass or panels 22 mm and minimum 1 mm (according to glazing table).

Monolithic

Double

Triple

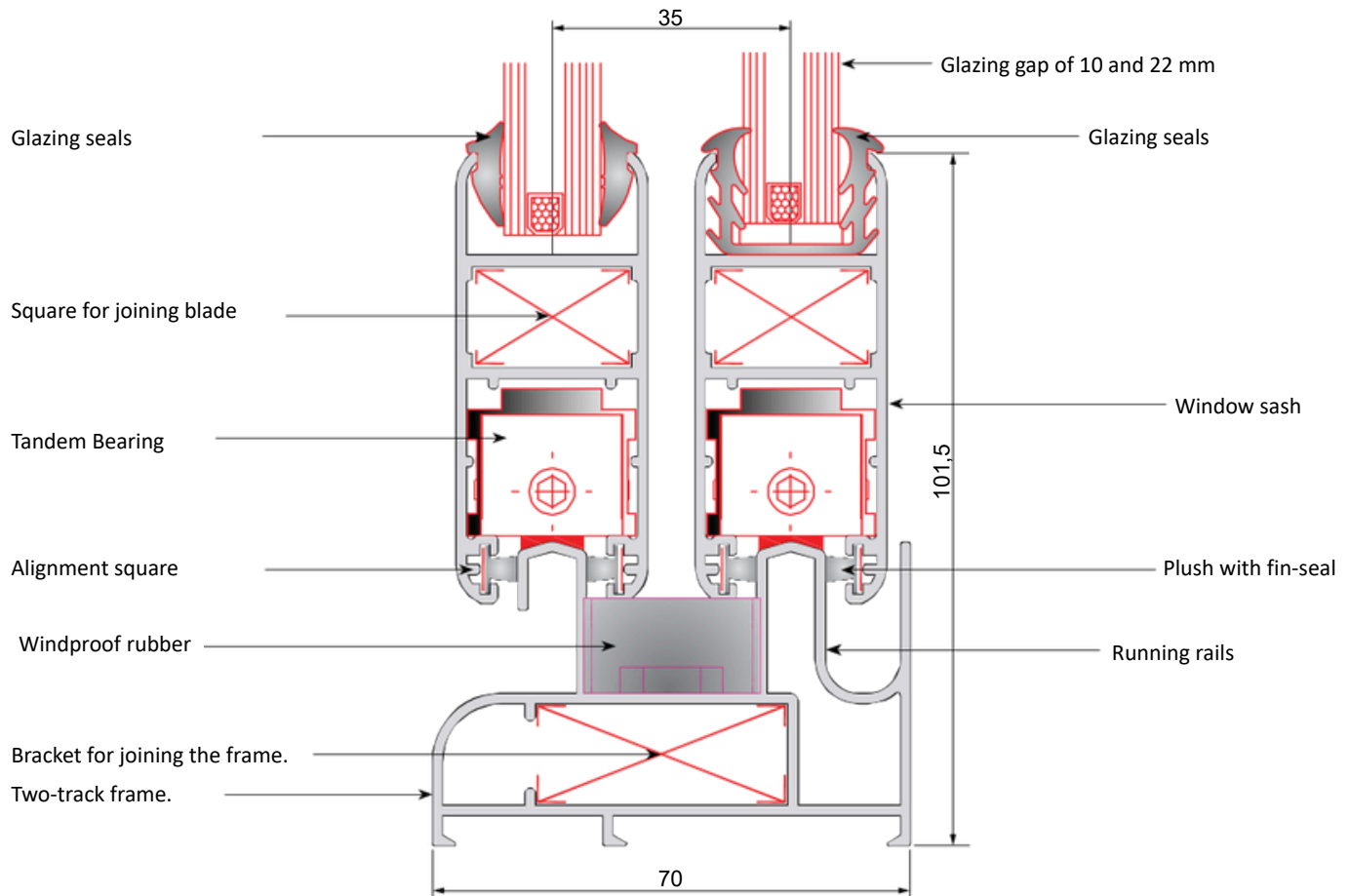


02



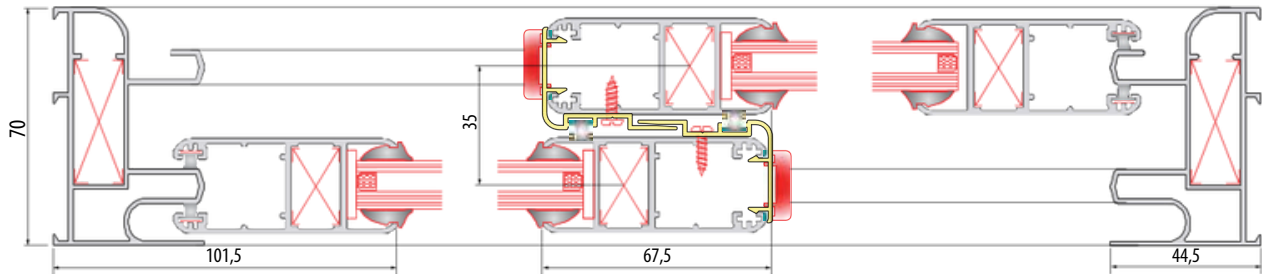
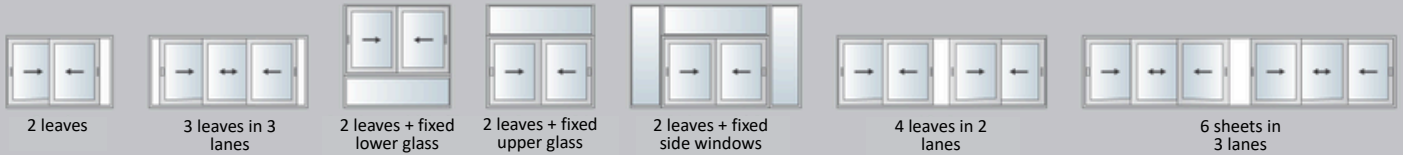
70 mm perimeter section with subframe and overlap

Technical specifications for the 70 mm perimeter series






Technical data	
Section width	Standard frame width 70 mm / Leaf width 28 mm.
Profile thickness	Thickness 1.4 - 1.6 mm.
Glazing opening	10 and 22 mm (15 mm high glass glaze).
Special profiles	2 and 3 track frame. Reinforced sash. 4-sash cross profile. Glass reducer profile.
Use	Construction of 2, 3, or 4-sash windows in 2 tracks. Construction of 3 or 6-sash windows in 3 tracks. Combination with fixed structures and/or hinged assemblies.
Compatible series	45 mm hinge. It has frames and sliding screen panels compatible with the series.
Alloy of the profiles	EN-AW-6060 T5 / EN-AW-6063 T5. Alloy 6060/6063 and T5 condition, according to chemical composition standards EN 573-3 and mechanical characteristics EN 755-2.
Finishes	Available in surface treatments such as lacquering, anodizing or wood finish, with a wide range of colors and textures.
Hardware	Functional, economical, and high-quality sliding door hardware. Features multipoint locking mechanisms.

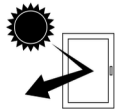
Types of opening



Maximum dimensions

	Width		Height		Maximum weight per sheet
	1600 mm		2800 mm (3200 mm H/ booster)		120 Kg
Maximum dimensions for 2-leaf balcony door with tandem wheels, consult weight and dimensions for other types.					

Thermal insulation



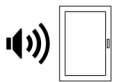
Thermal transmittance of aluminum profiles

$IN_{H,M} = 5,7 \text{ W/m}^2\text{K}$

Estimated values for a 2-leaf window measuring 1230 x 1480 mm with the indicated glazing. According to standard UNE-EN ISO 10077-1:2010.

Glass	$IN_{H,V}$ Thermal transmittance of glass	IN_H Thermal transmittance of the window
4/6/4	3,3 $\text{W/m}^2\text{K}$	4,10 $\text{W/m}^2\text{K}$
4/10/4	3,0 $\text{W/m}^2\text{K}$	3,90 $\text{W/m}^2\text{K}$
4/10/4 be	1,8 $\text{W/m}^2\text{K}$	3,10 $\text{W/m}^2\text{K}$

Sound insulation



Glass (characteristics, R_{IN})

4/6/6 (32 dB)

4/6/3+3 (34 dB)

Window sound reduction index (R_{IN})

33 (-1;-3) dB

35 (-1;-3) dB

Estimated values for a 2-leaf window measuring 1230 x 1480 mm with the indicated glazing. According to standard UNE-EN 14351-1:2006.

Mechanical technical characteristics



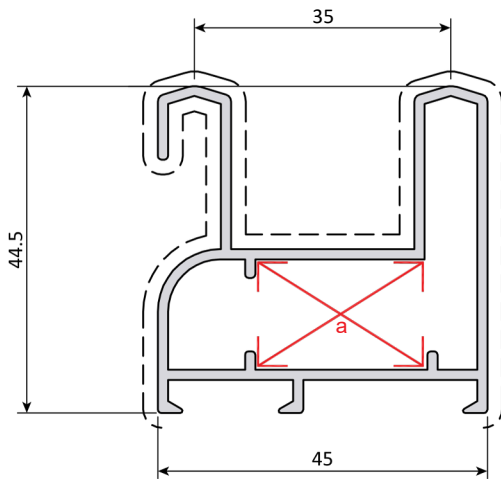
Behavior in response to external factors

Classification	Standard	Value
Air permeability	UNE-EN 12207:2000	Class 3
Water tightness	UNE-EN 12208:2000	Class 7A
Wind load resistance	UNE-EN 12210:2000	Class C5

Estimated values pertaining to a 2-leaf window with dimensions 1200 x 1200 mm and glazing 4/6/6.

70 mm perimeter series profiles

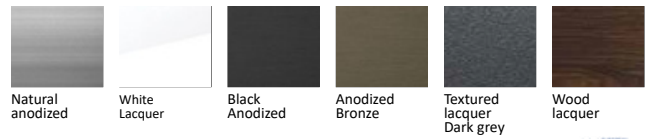
Perimeter frame 2 lanes 45 mm



Perimeter frame 2 lanes 45 mm

Code: U001	Weight (kg/m): 0.835		
Total perimeter (mm): 441	Overall thickness = 1.4		
Ext. perimeter (mm): 273	Alloy-Temple = 6063 T5		
a	UA002	b	---
c	---	d	---

Available finishes:

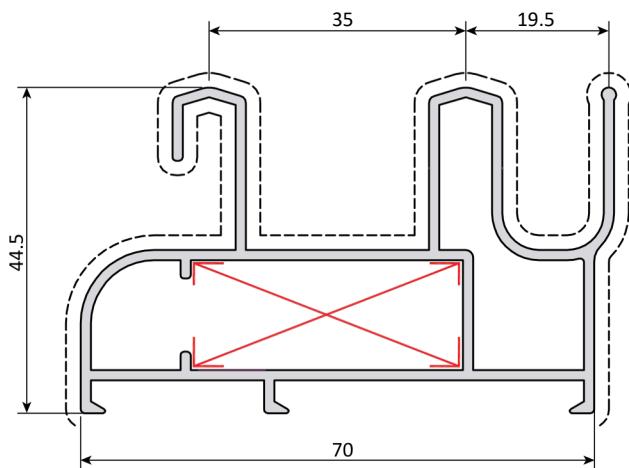


LENGTH 5.85 METERS



*Check availability of different finishes.

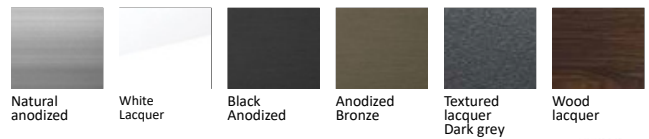
Perimeter frame with 2 rails, 70 mm, specially designed for interior mosquito nets



Perimeter frame with 2 rails, 70 mm

Code: U050	Weight (kg/m): 1.166		
Total perimeter (mm): 611	Overall thickness = 1.4		
Ext. perimeter (mm): 365	Alloy-Temperature = 6063 T5		
a	UA001	b	---
c	---	d	---

Available finishes:

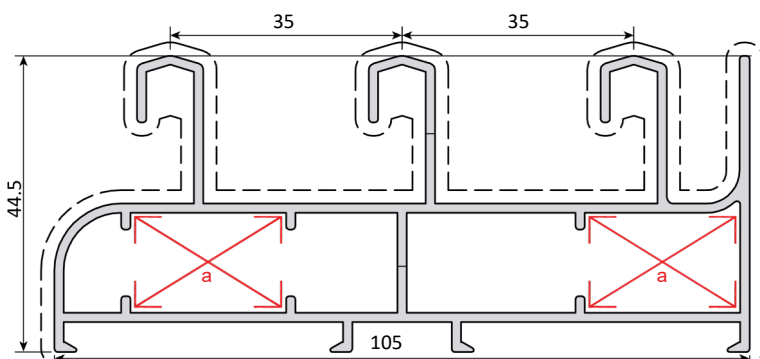


LENGTH 5.85 METERS



*Check availability of different finishes.

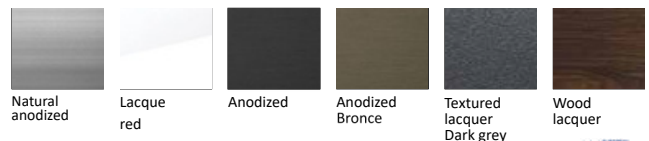
Perimeter frame 3 lanes 105 mm



Perimeter frame 3 lanes 105 mm

Code: U003	Weight (kg/m): 1.608		
Total perimeter (mm): 838	Overall thickness = 1.4		
Ext. perimeter (mm): 551	Alloy-Temple = 6063 T5		
a	UA002	b	---
c	---	d	---

Available finishes:



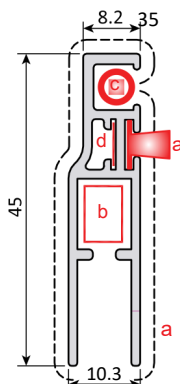
LENGTH 5.85 METERS



*Check availability of different finishes.

70 mm perimeter series profiles

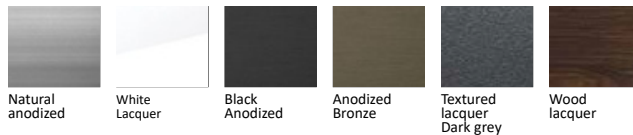
Sliding mosquito net panel



Sliding mosquito net panel

Code: U049		Weight (kg/m): 0.405	
Total perimeter (mm): 223		Overall thickness = 1.3	
Ext. perimeter (mm): 196		Alloy-Temple = 6063 T5	
a	UA012	b	UA004
c	UI013	d	UA003

Available finishes:

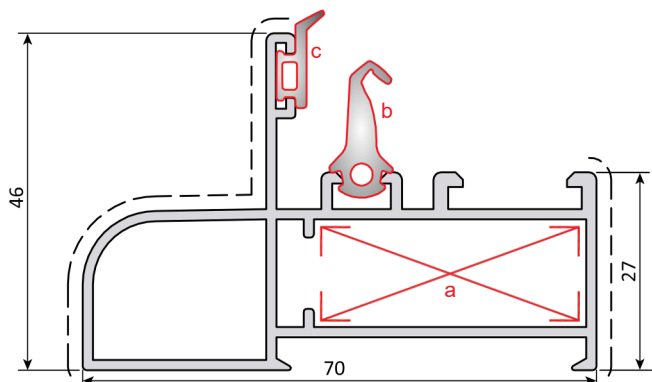


LENGTH 5.85 METERS

*Check availability of different finishes.



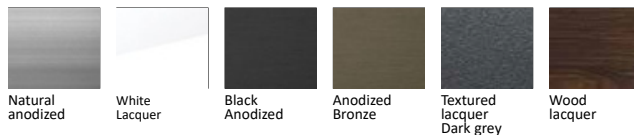
Window frame 70 x 46 mm



Window frame 70 x 46 mm

Code: U005		Weight (kg/m): 0.995	
Total perimeter (mm): 512		Overall thickness = 1.4	
Ext. perimeter (mm): 307		Alloy-Temperature = 6063 T5	
a	UA001	b	UI001
c	UI003	d	---

Available finishes:

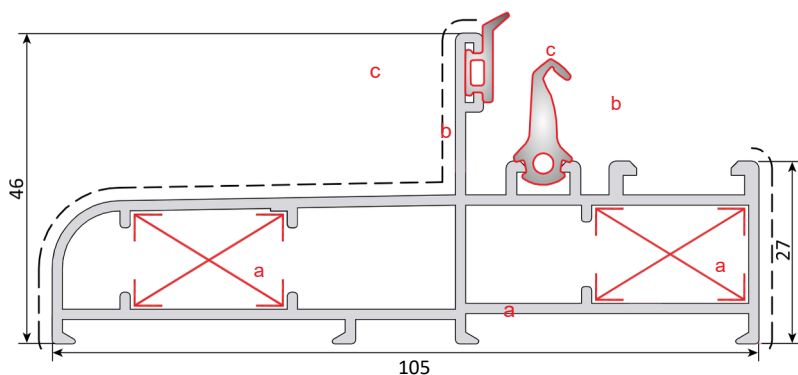


LENGTH 5.85 METERS

*Check availability of different finishes.



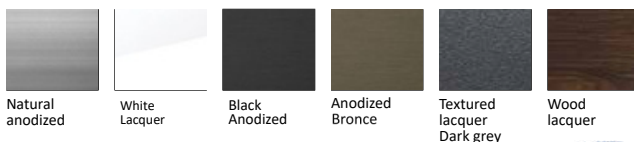
Window frame 105 x 46 mm



Window frame 105 x 46 mm

Code: U006		Weight (kg/m): 1.323	
Total perimeter (mm): 682		Overall thickness = 1.4	
Ext. perimeter (mm): 396		Alloy-Temperature = 6063 T5	
a	UA002	b	UI001
c	UI003	d	---

Available finishes:



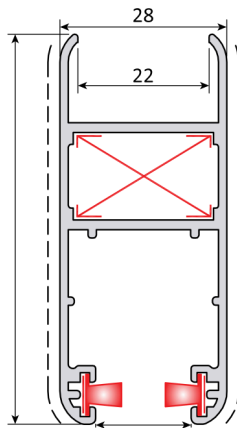
LENGTH 5.85 METERS

*Check availability of different finishes.



70 mm perimeter series profiles

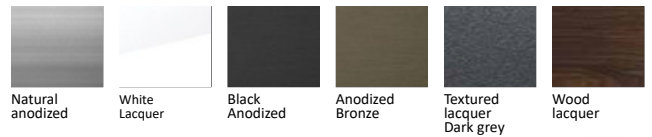
Perimeter sheet 28 x 66 mm. HV 22 mm



Perimeter sheet 28 x 66 mm. HV 22 mm

Code: U007		Weight (kg/m): 0.856	
Total perimeter (mm): 420		Overall thickness = 1.4	
Ext. perimeter (mm): 341		Alloy-Temple = 6063 T5	
a	UA002	b	UA003
c	UA012	d	---

Available finishes:

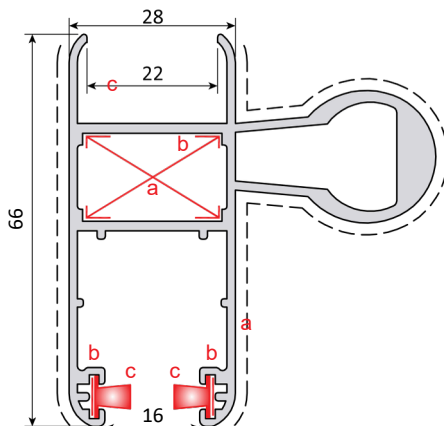


LENGTH 5.85 METERS

*Check availability of different finishes.



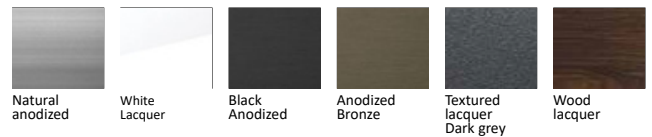
Perimeter sheet 28 x 66 mm with reinforcement. HV 22 mm



Perimeter sheet 28 x 66 mm with reinforcement. HV 22 mm

Code: U008		Weight (kg/m): 1.413	
Total perimeter (mm): 573		Overall thickness = 1.4	
Ext. perimeter (mm): 341		Alloy-Temperature = 6063 T5	
a	UA002	b	UA003
c	UA012	d	UA013

Available finishes:

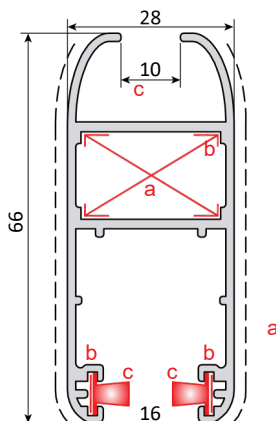


LENGTH 5.85 METERS

*Check availability of different finishes.



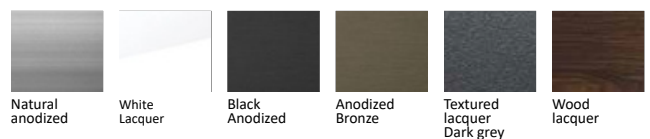
Perimeter sheet 28 x 66 mm. HV 10mm



Perimeter sheet 28 x 66 mm. HV 10mm

Code: U009		Weight (kg/m): 0.883	
Total perimeter (mm): 426		Overall thickness = 1.4	
Ext. perimeter (mm): 347		Alloy-Temperature = 6063 T5	
a	UA002	b	UA003
c	UA012	d	---

Available finishes:



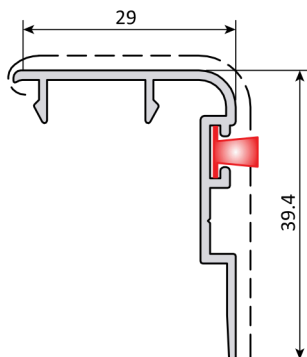
LENGTH 5.85 METERS

*Check availability of different finishes.



70 mm perimeter series profiles

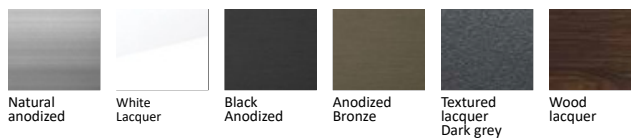
Straight cross of center leaf 28 x 66 mm



Straight cross of center leaf 28 x 66 mm

Code: U010		Weight (kg/m): 0.308	
Total perimeter (mm): 182		Overall thickness = 1.3	
Ext. perimeter (mm): 182		Alloy-Temple = 6063 T5	
a	UA012	b	TORNILLO D-3,5X12mm
c	---	d	---

Available finishes:

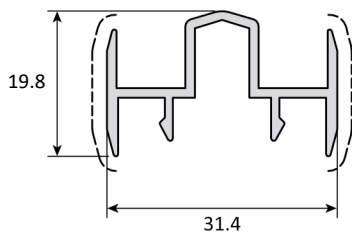


LENGTH 5.85 METERS

*Check availability of different finishes.



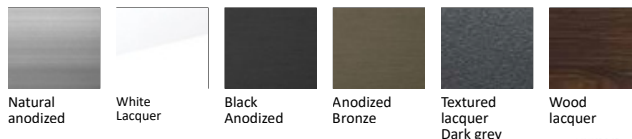
Central cross 4 leaves, 28 mm wide



Central cross 4 leaves, 28 mm wide

Code: U011		Weight (kg/m): 0.318	
Total perimeter (mm): 186		Overall thickness = 1.3	
Ext. perimeter (mm): 186		Alloy-Temperature = 6063 T5	
a	---	b	---
c	---	d	---

Available finishes:

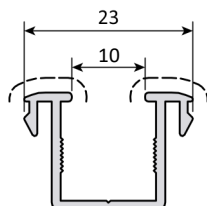


LENGTH 5.85 METERS

*Check availability of different finishes.



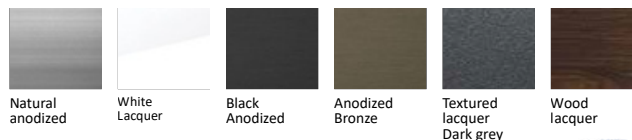
Glass gap reducer 22 - 10 mm



Glass gap reducer 22 - 10 mm

Code: U012		Weight (kg/m): 0.216	
Total perimeter (mm): 133		Overall thickness = 1.3	
Ext. perimeter (mm): 133		Alloy-Temperature = 6063 T5	
a	TORNILLO D-3,5X12mm	b	---
c	---	d	---

Available finishes:



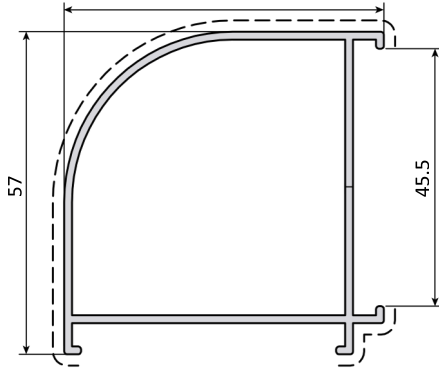
LENGTH 5.85 METERS

*Check availability of different finishes.



70 mm perimeter series profiles

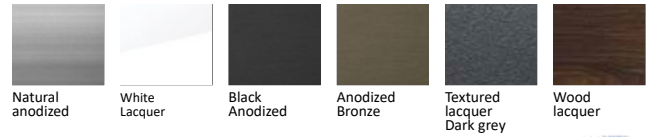
90° corner piece for 45 mm frame



90° corner piece for 45 mm frame

Code: U026		Weight (kg/m): 0.815	
Total perimeter (mm): 430		Overall thickness = 1.4	
Ext. perimeter (mm): 247		Alloy-Temple = 6063 T5	
a	---	b	---
c	---	d	---

Available finishes:

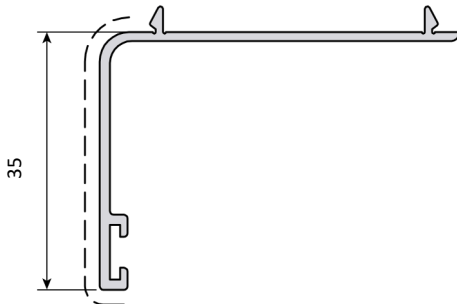


LENGTH 5.85 METERS

*Check availability of different finishes.



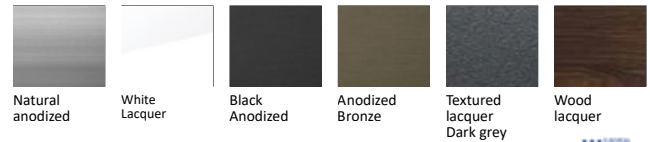
35 overlap for 45 mm frame



35 overlap for 45 mm frame

Code: U030		Weight (kg/m): 0.329	
Total perimeter (mm): 194		Overall thickness = 1.4	
Ext. perimeter (mm): 194		Alloy-Temperature = 6063 T5	
a	---	b	---
c	---	d	---

Available finishes:



LENGTH 5.85 METERS

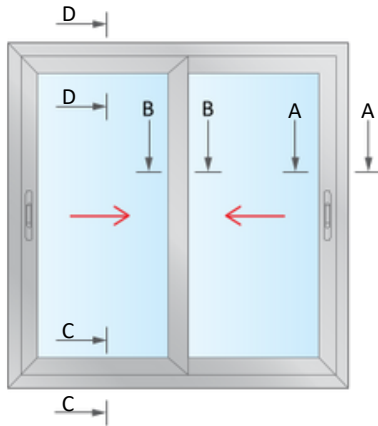
*Check availability of different finishes.



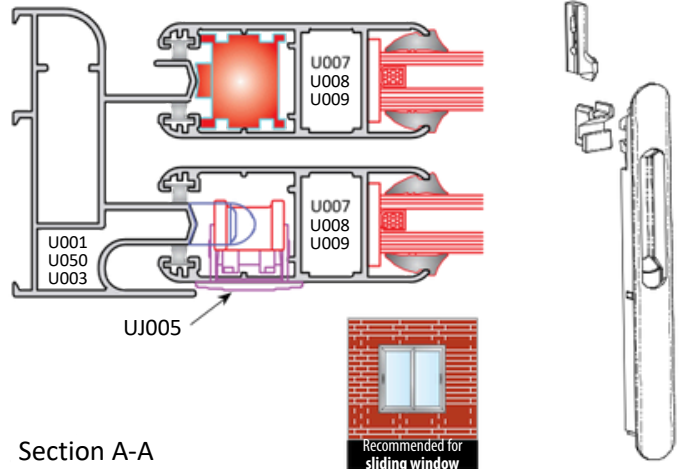
70 mm perimeter series sections

Section A-A views

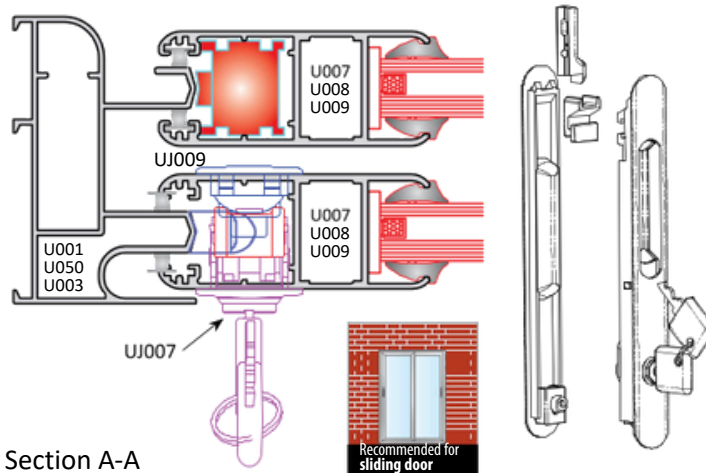
Sliding window with 2 leaves



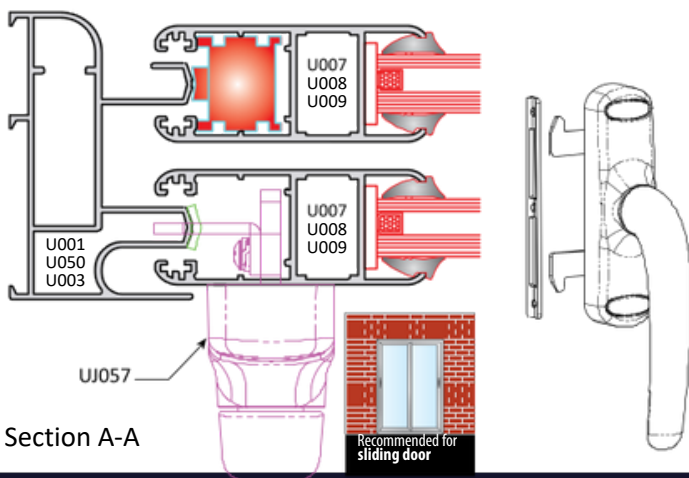
Concealed screw nail closure



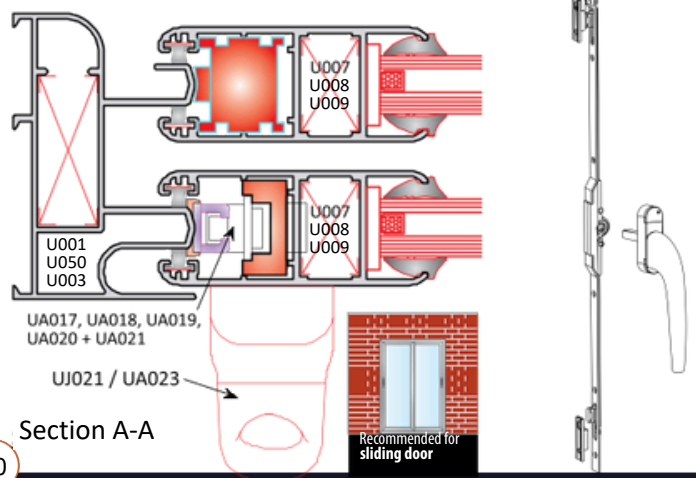
Key lock with recessed external handle



Secureasy Lock



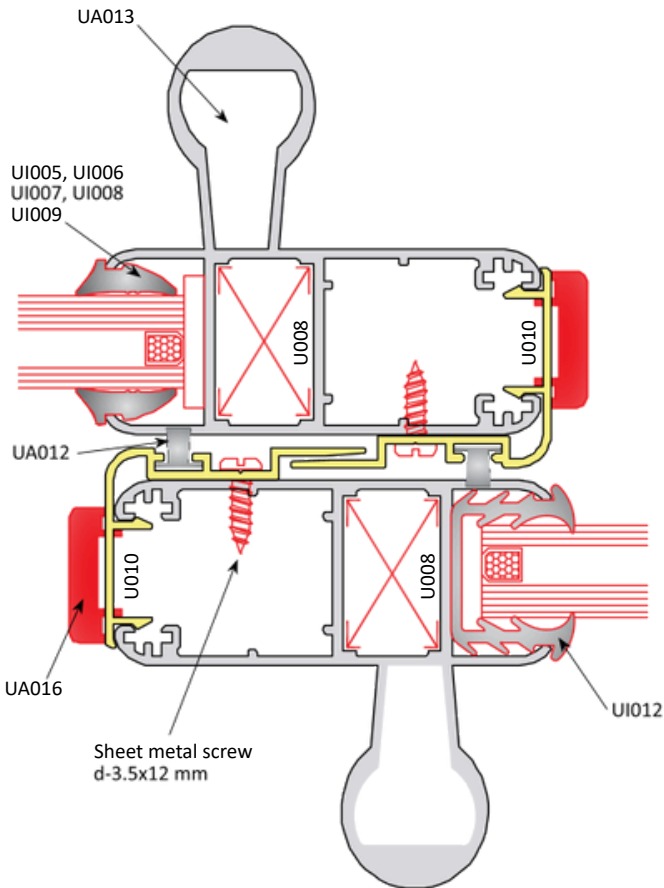
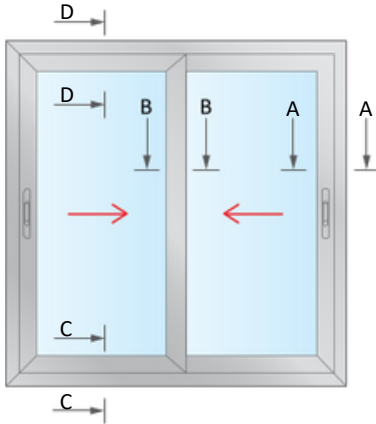
European multipoint lock



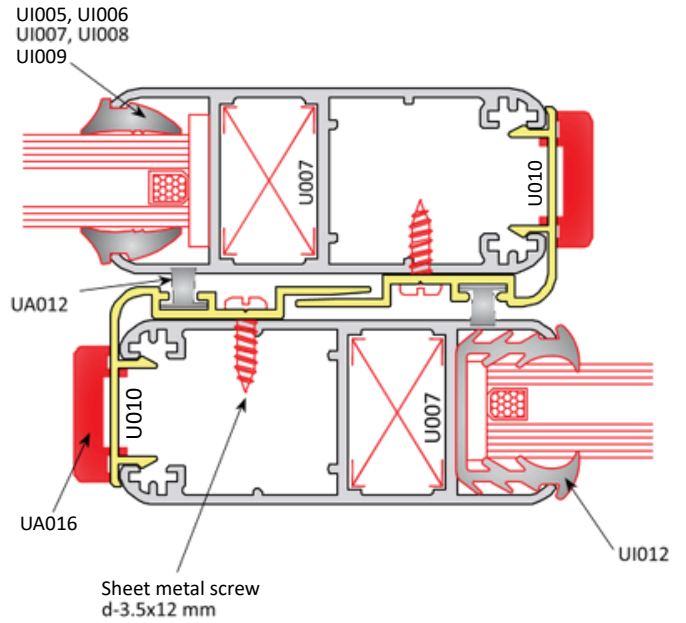
70 mm perimeter series sections

Section B-B views

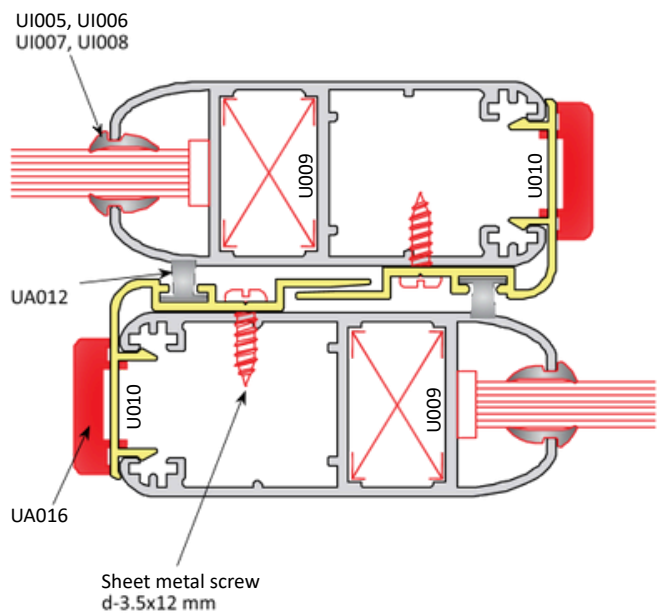
Sliding window with 2 leaves



Section B-B



Section B-B

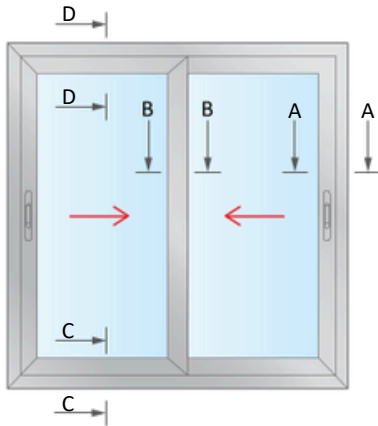


Section B-B

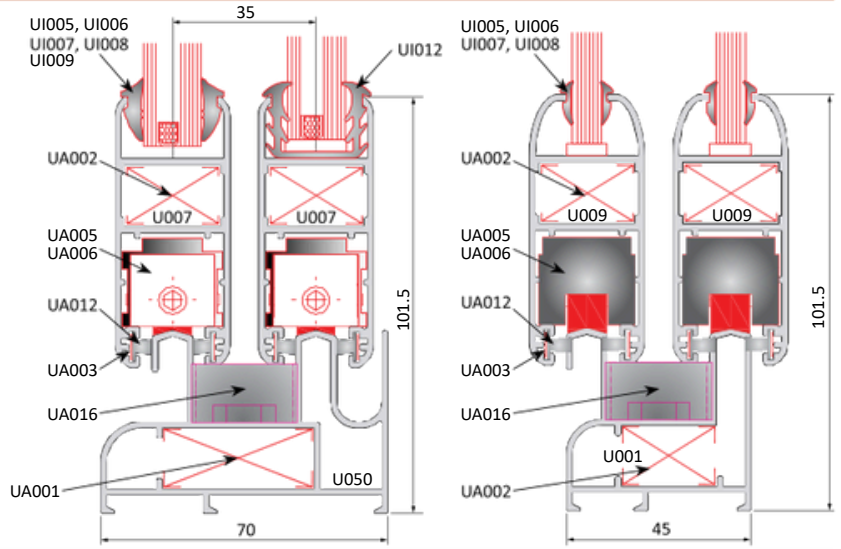
70 mm perimeter series sections

Section C-C views

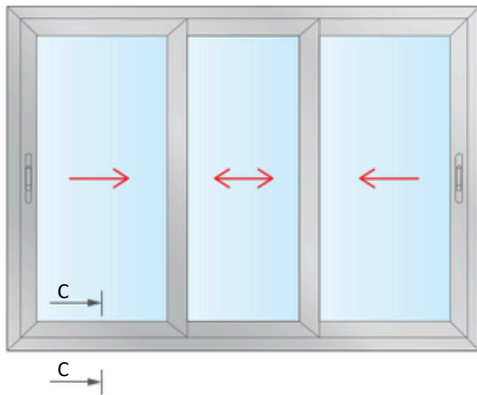
Sliding window with 2 leaves



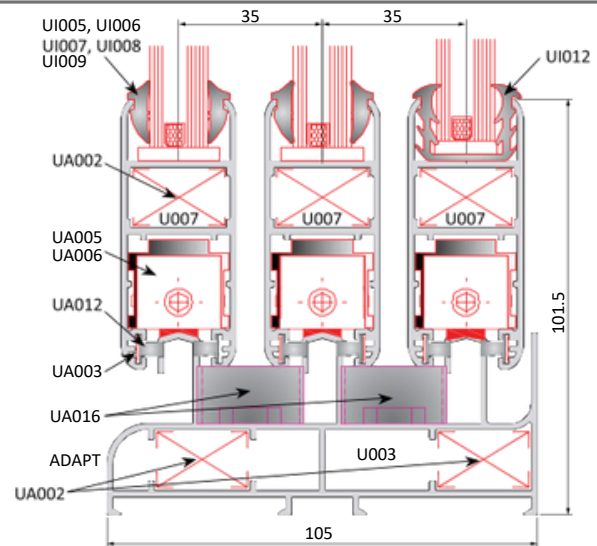
Section C-C



Sliding window with 3 leaves

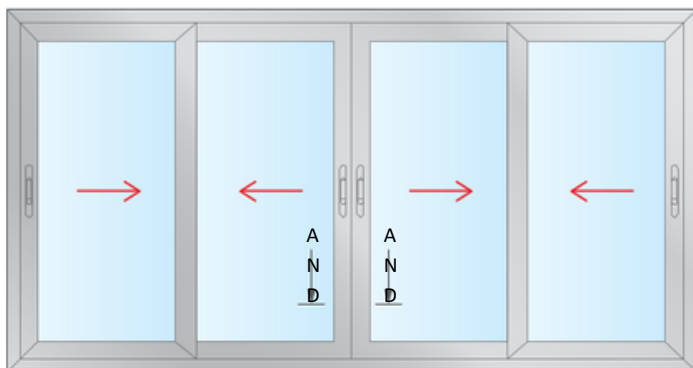


Section C-C

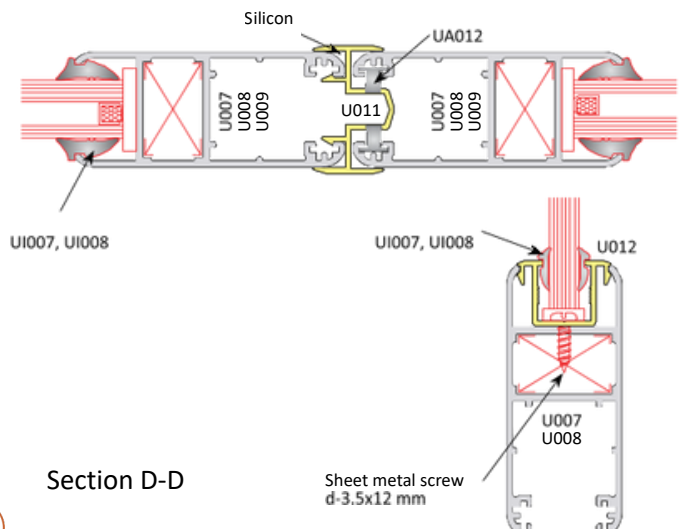


Section D-D views

Sliding window with 4 leaves



Section D-D

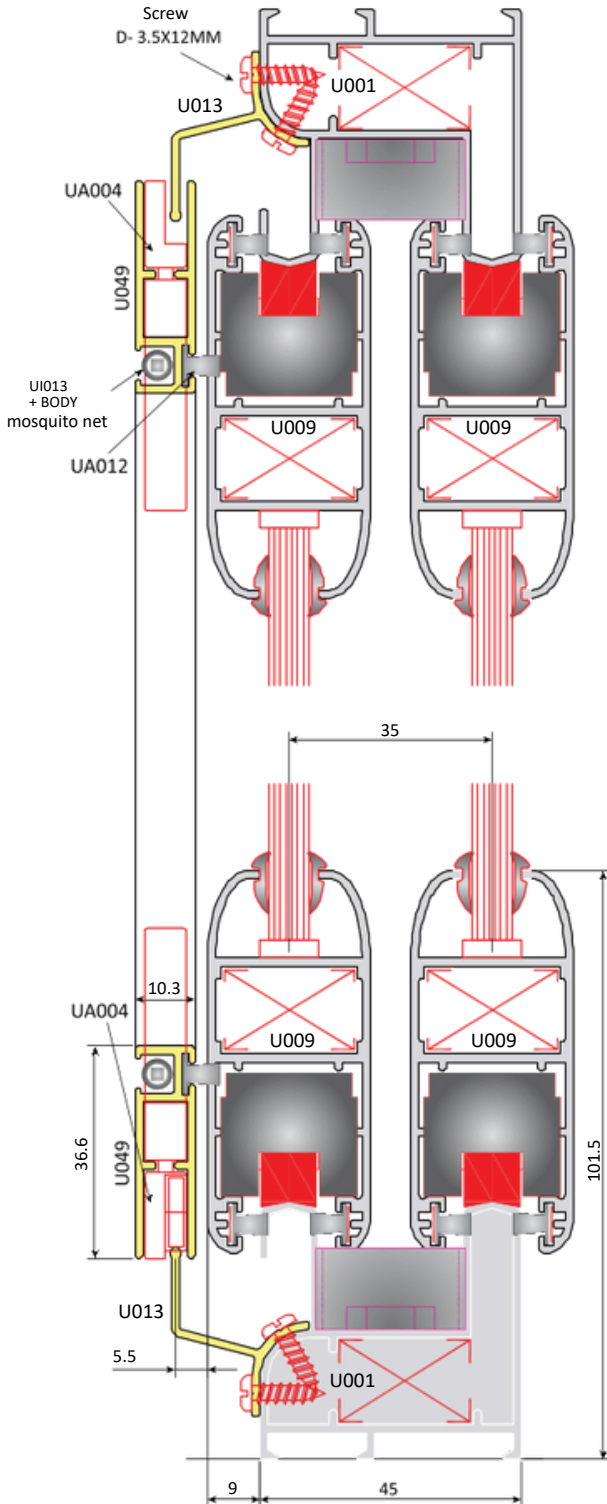


Section D-D

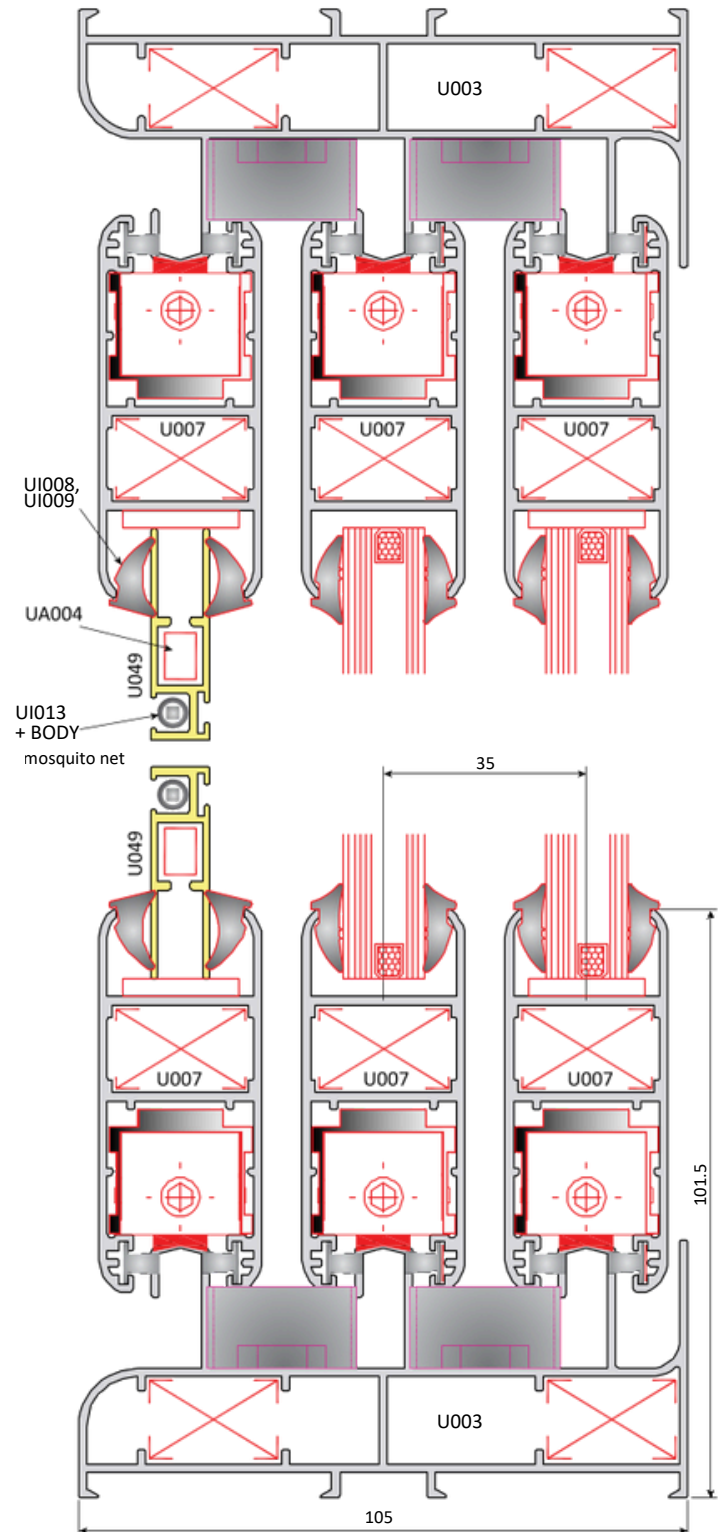
70 mm perimeter series sections

Sliding mosquito net sections

Sliding window with 2 leaves

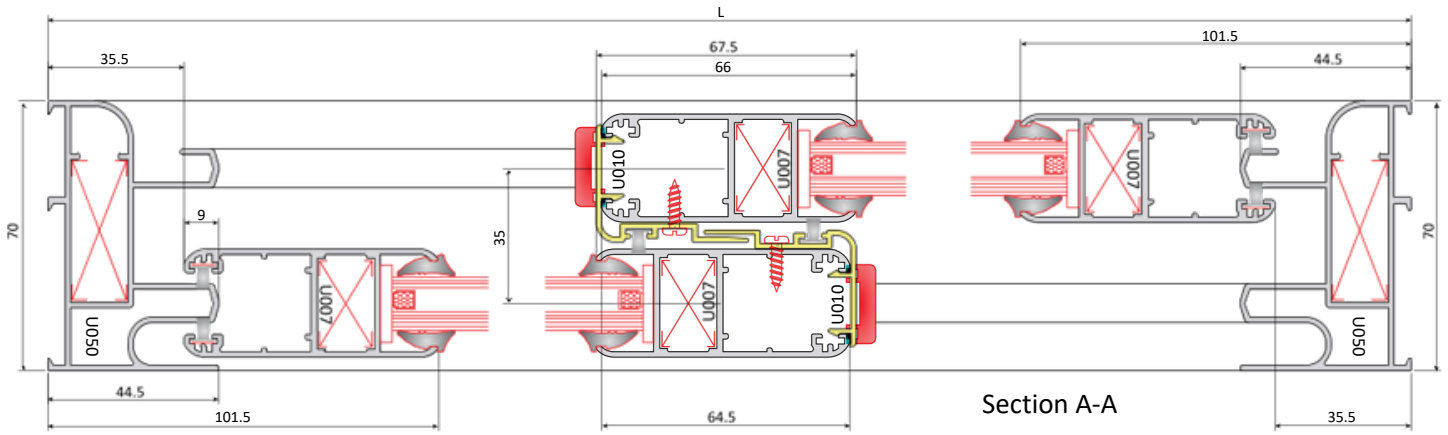


Sliding window with 3 leaves

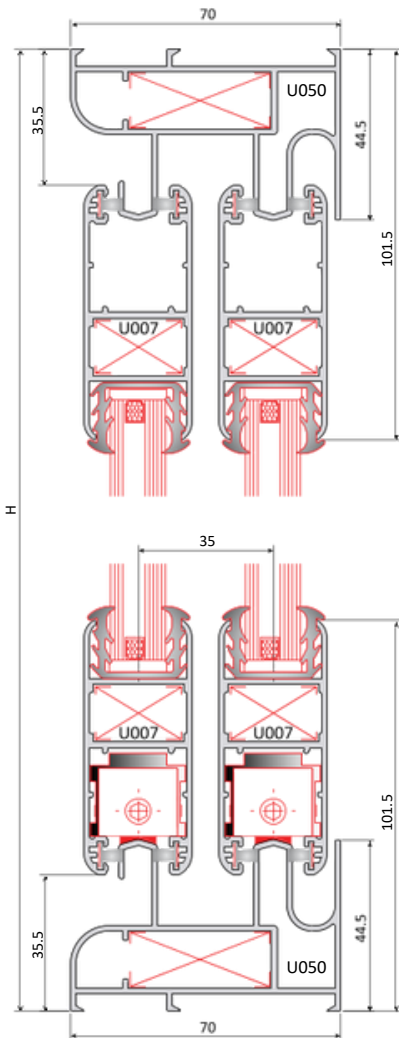
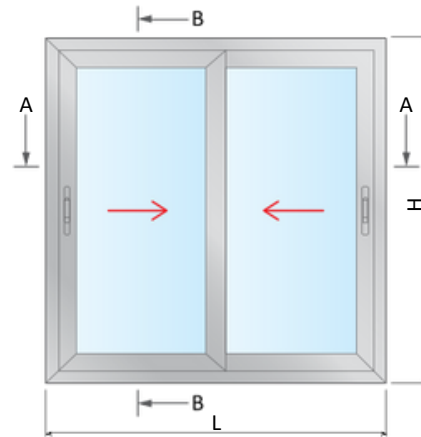


70mm Perimeter Series Cutting Boards

Cutting measurements (2-leaf window)



Sliding window with 2 leaves

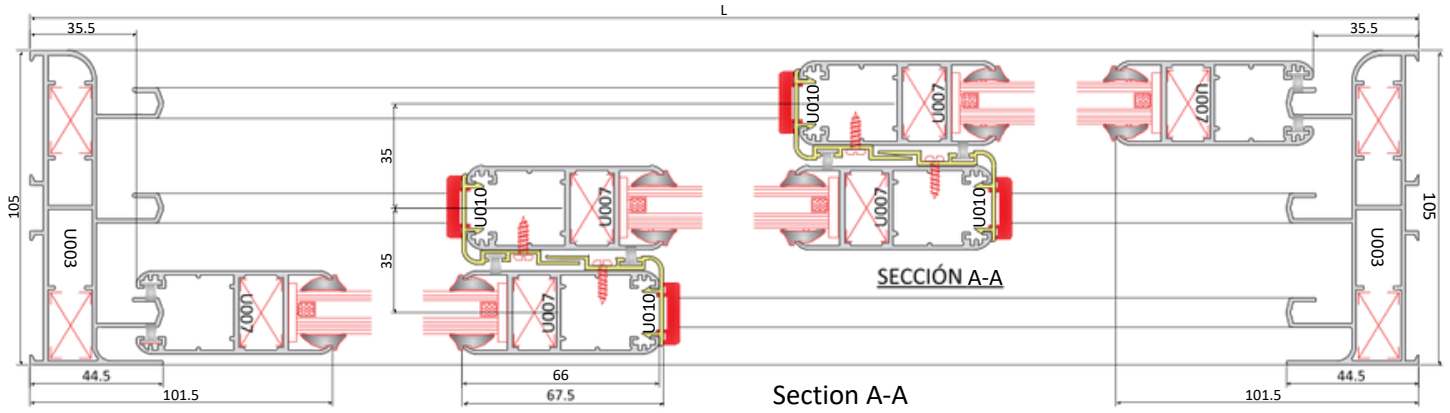


Section B-B

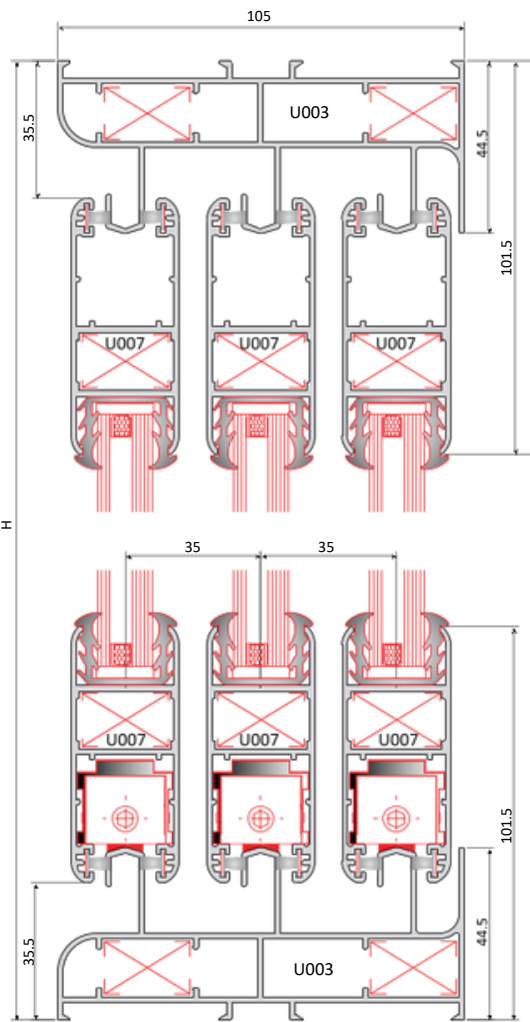
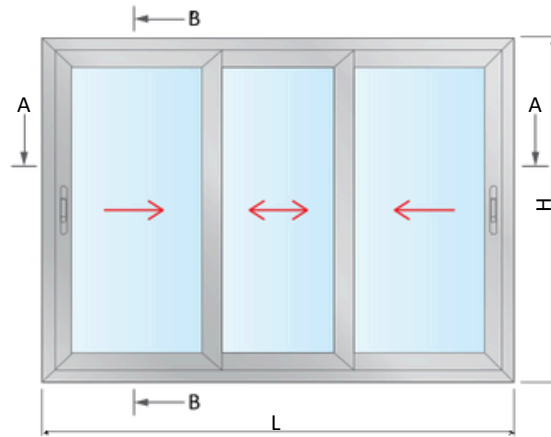
70 mm PERIMETER SLIDING SERIES Cutting measurements (2-leaf window)			H = frame height / L = frame width Theoretical cutting measurements, check before serial cutting	
CROQUIS	REF.	Description	Cutting m. (mm)	Units and type of cut
	U050	2 lanes frame	H L	2 units 2 units
	U007	Leaf	H - 71 (L - 6.5) / 2	4 units 4 units
	U010	Central cross	H - 71	2 units
---	---	Glass (5 mm shim)	H - 183 (L - 230.5) / 2	Glass 2 units

70mm Perimeter Series Cutting Boards

Cutting measurements (3-leaf window)



Sliding window with 3 leaves

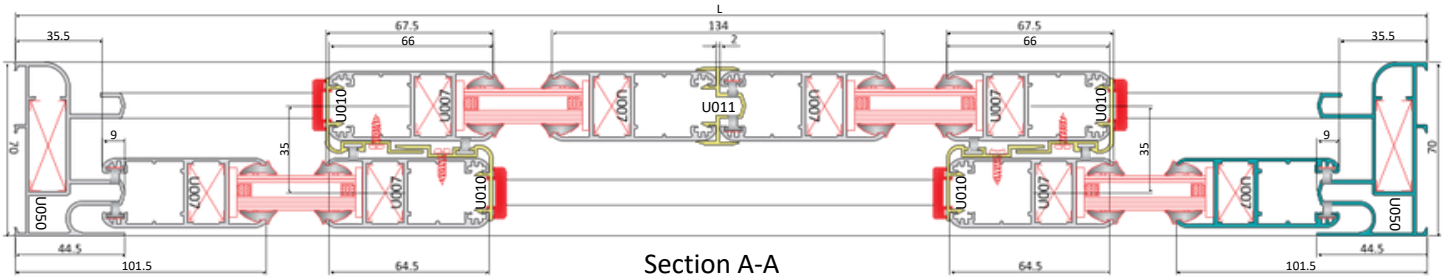


Section B-B

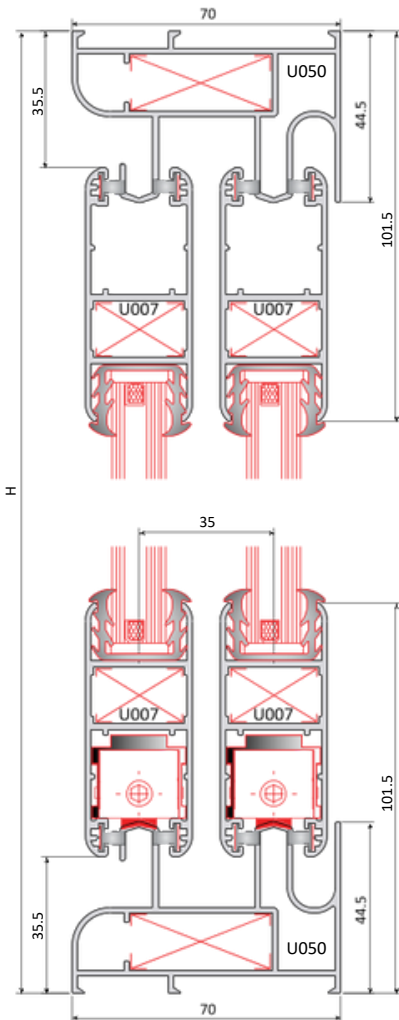
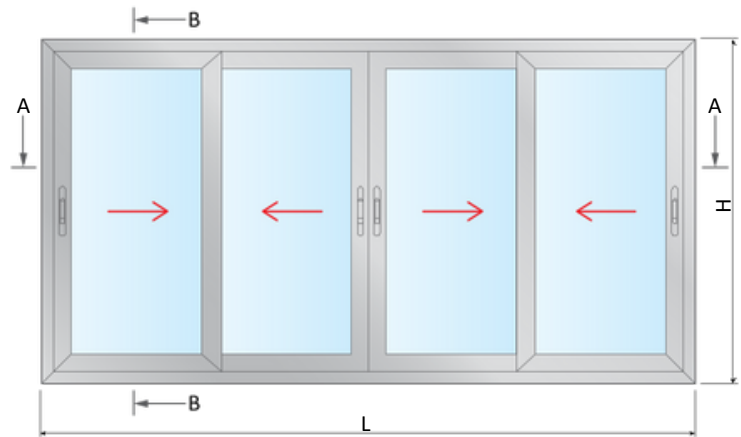
70 mm PERIMETER SLIDING SERIES Cutting measurements (3-leaf window)			H = frame height / L = frame width Theoretical cutting measurements, check before serial cutting	
CROQUIS	REF.	Description	Cutting m. (mm)	Units and type of cut
	U003	3 lanes frame	H L	2 units 2 units
	U007	Leaf	H - 71 (L + 58) / 3	6 units 6 units
	U010	Central cross	H - 71	4 units
---	---	Glass (5 mm shim)	H - 183 (L - 278) / 3	Glass 3 units

70mm Perimeter Series Cutting Boards

Cutting measurements (4-leaf window)



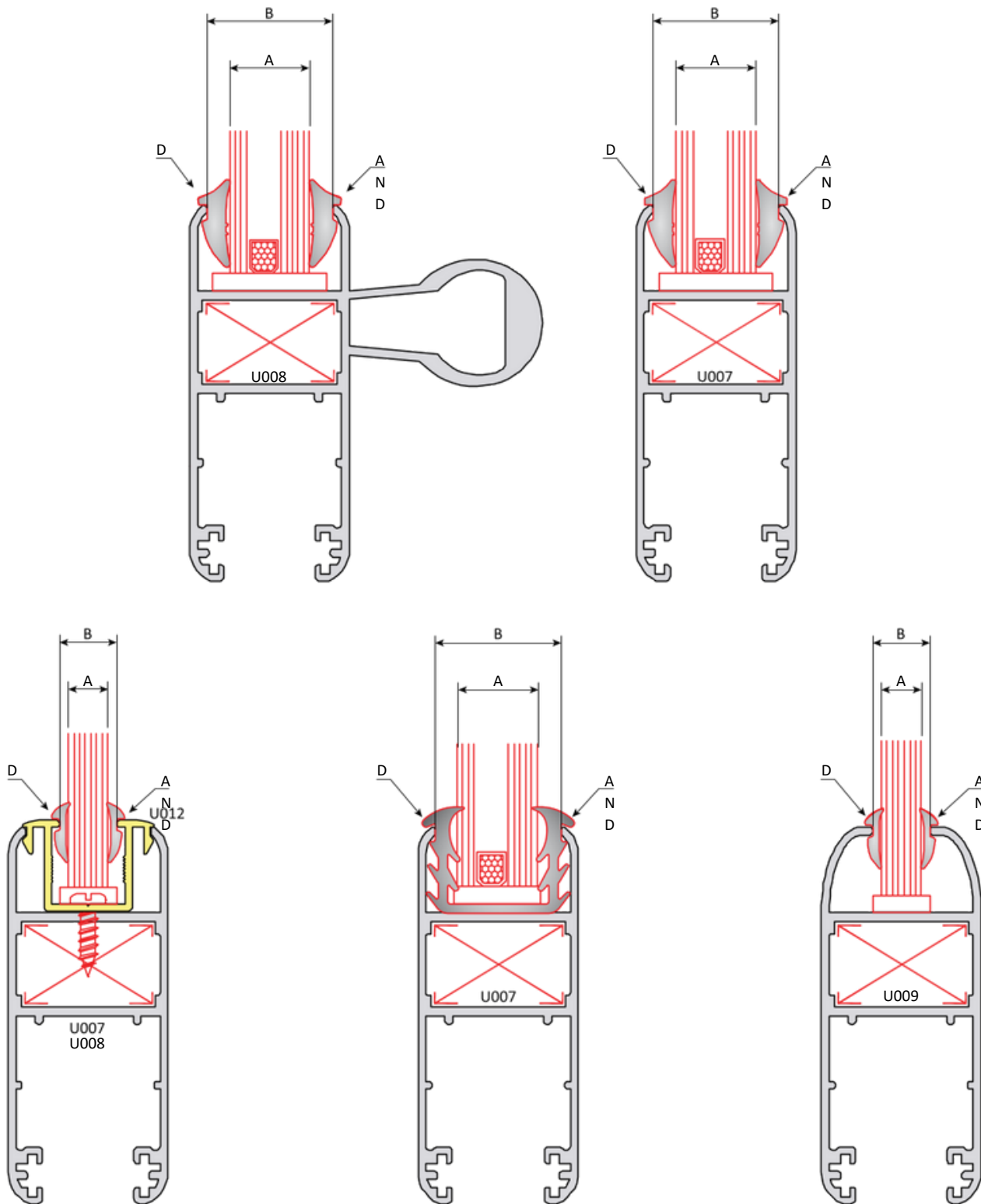
Sliding window with 4 leaves



70 mm PERIMETER SLIDING SERIES Cutting measurements (4-leaf window)			H = frame height / L = frame width Theoretical cutting measurements, check before serial cutting	
CROQUIS	REF.	Description	Cutting m. (mm)	Units and type of cut
	U050	2 lanes frame	H L	2 units 2 units
	U007	Leaf	H - 71 (L + 56) / 4	8 units 8 units
	U010	Central cross	H - 71	4 units
	U011	Central cross 4 leaves	H - 89	1 unit
	---	Glass (5 mm shim)	H - 183 (L - 392) / 4	Glass 4 units

Perimeter Series 70 mm Glazing Boards

Glazing measurements



Sketches and tables valid for profiles: U007, U008, U009 and U012

Perimeter Series 70 mm Glazing Boards

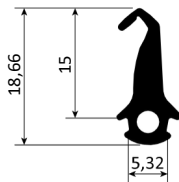
Glazing measurements

Perimeter Series 70 mm Glazing Boards					
Sketches and tables valid for profiles: U007, U008, U009 and U012					
(A)	(B)	PERFIL (C)		(D)	(E)
GLASS	TOTAL GAP	CODE	BROAD	EXTERNAL SEAL	INNER SEAL
22 mm	22 mm	U007 / U008	22 mm	No (0 mm)	No (0 mm)
20 mm	22 mm	U007 / U008	22 mm	Silicon (2 mm)	No (0 mm)
18 mm	22 mm	U007 / U008	22 mm	Silicon (2 mm)	Silicon (2 mm)
18 mm	22 mm	U007 / U008	22 mm	UI005 (2 mm)	UI005 (2 mm)
17 mm	22 mm	U007 / U008	22 mm	UI006 (3 mm)	UI005 (2 mm)
16 mm	22 mm	U007 / U008	22 mm	UI006 (3 mm)	UI006 (3 mm)
16 mm	22 mm	U007 / U008	22 mm	UI012 (3+3 mm)	
15 mm	22 mm	U007 / U008	22 mm	UI007 (4 mm)	UI006 (3 mm)
14 mm	22 mm	U007 / U008	22 mm	UI007 (4 mm)	UI007 (4 mm)
13 mm	22 mm	U007 / U008	22 mm	UI008 (5 mm)	UI007 (4 mm)
12 mm	22 mm	U007 / U008	22 mm	UI008 (5 mm)	UI008 (5 mm)
12 mm	22 mm	U007 / U008	22 mm	UI008 (5 mm)	UI008 (5 mm)
11 mm	22 mm	U007 / U008	22 mm	UI009 (6 mm)	UI008 (5 mm)
10 mm	22 mm	U007 / U008	22 mm	UI009 (6 mm)	UI009 (6 mm)
10 mm	10 mm	U009 / U012	10 mm	No (0 mm)	No (0 mm)
8 mm	10 mm	U009 / U012	10 mm	Silicon (2 mm)	No (0 mm)
6 mm	10 mm	U009 / U012	10 mm	Silicon (2 mm)	Silicon (2 mm)
6 mm	10 mm	U009 / U012	10 mm	UI005 (2 mm)	UI005 (2mm)
5 mm	10 mm	U009 / U012	10 mm	UI006 (3 mm)	UI005 (2 mm)
4 mm	10 mm	U009 / U012	10 mm	UI006 (3 mm)	UI006 (3 mm)
3 mm	10 mm	U009 / U012	10 mm	UI007 (4 mm)	UI006 (3 mm)
2 mm	10 mm	U009 / U012	10 mm	UI007 (4 mm)	UI007 (4 mm)
1 mm	10 mm	U009 / U012	10 mm	UI007 (4 mm)	UI008 (5 mm)

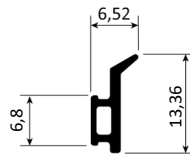
Hardware for the Perimetral Series 70 mm door and window system

EPDM rubber plans

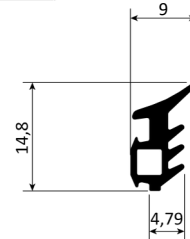
EPDM Central Board

ROLL OF
100 MT
EPDM
HIGH QUALITY
Code
UI001

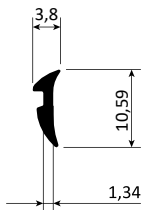
EPDM clipped outer frame gasket

ROLL OF
100 MT
EPDM
HIGH QUALITY
Code
UI003

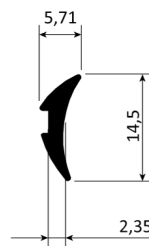
4 mm EPDM exterior glazing gasket

ROLL OF
100 MT
EPDM
HIGH QUALITY
Code
UI004

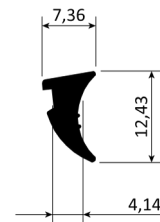
2 mm EPDM glazing gasket

ROLL OF
100 MT
EPDM
HIGH QUALITY
Code
UI005

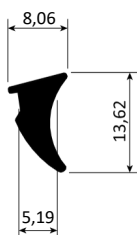
3 mm EPDM glazing gasket

ROLL OF
100 MT
EPDM
HIGH QUALITY
Code
UI006

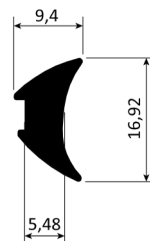
4 mm EPDM glazing gasket

ROLL OF
100 MT
EPDM
HIGH QUALITY
Code
UI007

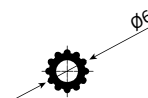
5 mm EPDM glazing gasket

ROLL OF
100 MT
EPDM
HIGH QUALITY
Code
UI008

6 mm EPDM glazing gasket

ROLL OF
100 MT
EPDM
HIGH QUALITY
Code
UI009

EPDM mosquito net rubber

ROLL OF
100 MT
EPDM
HIGH QUALITY
Code
UI013

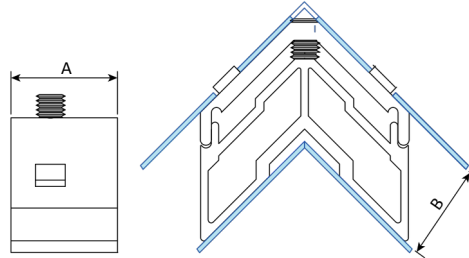
Hardware for 70mm Perimeter Series Door and Window Systems

Corners - Bearings - Handles - Locks

37 x 16 mm fixed pin bracket



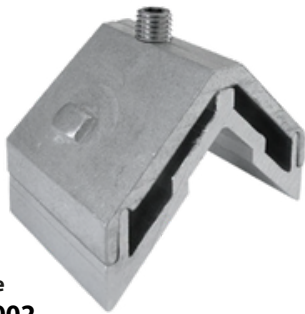
Code
UA001



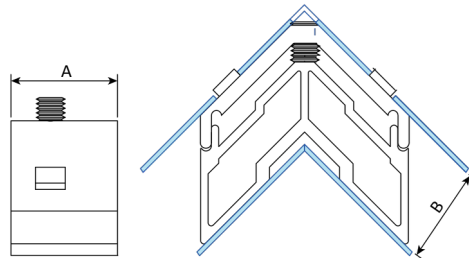
A = 37 mm
B = 16 mm

- Extruded aluminum bracket with high corrosion resistance.
- Greater rigidity and alignment in the miters because it works by expansion.
- It works on U050, U004 and U005 frame profiles.

Fixed pin bracket 23 x 15 mm



Code
UA002



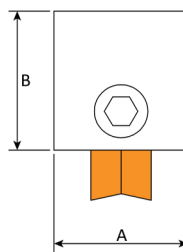
A = 15 mm
B = 23 mm

- Extruded aluminum bracket with high corrosion resistance.
- Greater rigidity and alignment in the miters because it works by expansion.
- It works on U001, U003, U006 frame profiles and U007, U008 and U009 leaf profiles.

23.2 x 21.6 mm nylon double wheel



Code
UA005



A = 21.6 mm
B = 23.2 mm

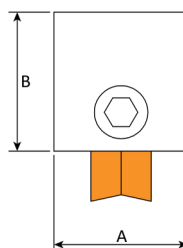
- Non-adjustable double wheel with housing reinforced PVC and needle bearing.
- Recommended for sliding windows with a maximum weight of 90 kg per pair.
- It works on sheet profiles U007, U008 and U009.



23.2 x 21.6 mm zamak double wheel



Code
UA006



A = 21.6 mm
B = 23.2 mm

- Non-adjustable double wheel with housing reinforced ZAMAC and needle bearing.
- Recommended for sliding doors. Maximum weight of 180 kg per pair.
- It works on sheet profiles U007, U008 and U009.



Hardware for 70mm Perimeter Series Door and Window Systems

Corners - Bearings - Handles - Locks

6.9 x 5.1 mm Alignment Square



Code
UA003

- Stainless steel alignment square.
- Increases rigidity and precision in the leaf profile joint.
- Works with leaf profiles U007, U008, and U009.

70 mm perimeter PVC kit



Code
UA016

- Polyamide and rubber components designed to ensure greater weatherproofing and smooth operation of windows and doors.
- The kit includes weatherstripping, safety stops, and anti-tip devices.

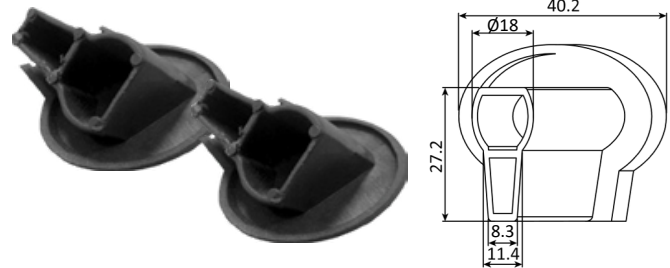
6.9 x 6 mm plush gasket with Fin-Seal



Code
UA012

- Felt seal with Fin-Seal, significantly more resistant to wear thanks to a flexible, transparent PVC rib.
- Available in black, 350-meter roll.
- Compatible with U007, U008, U009, U010, and U049 sash profiles.

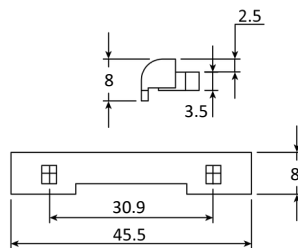
PVC cover with sliding reinforcement leaf



Code
UA013

- Black PVC decorative trim piece.
- Fits U008 profile sashes.
- Sold in pairs.

Pour water



Code
UA015

- Black PVC decorative trim piece.
- It works on sliding frames and fixed frames.

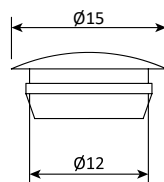
Drain valve



Code
UA014

- Black PVC decorative trim piece.
- It works on sliding frames.

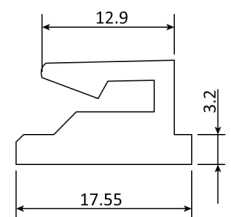
12mm decorative stopper



Code
UA070

- Black PVC decorative trim piece.
- It works on sliding frames and fixed frames.

Staple for reed



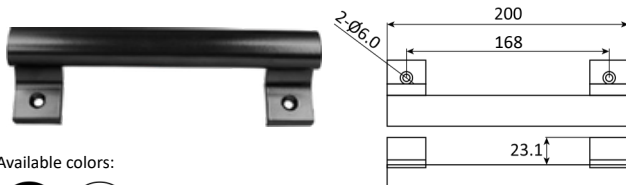
Code
UA061

- Injected polyamide clip for round glazing bead.
- For use with U036, U037, and U048 glazing beads.

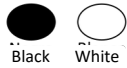
Hardware for 70mm Perimeter Series Door and Window Systems

Corners - Bearings - Handles - Locks

Handle puller



Available colors:



Code

UJ018

- Made of extruded aluminum, zinc alloy and PVC.

Plastic wedges (pack of 100)

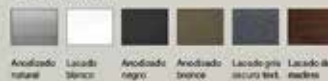


Código	Medida
YZ.031	100 x 20 x 1 mm
YZ.032	100 x 20 x 2 mm
YZ.033	100 x 20 x 3 mm
YZ.034	100 x 20 x 4 mm
YZ.035	100 x 20 x 5 mm
YZ.036	100 x 20 x 6 mm

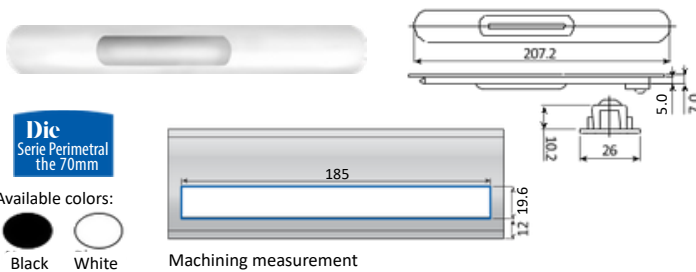
- Made of sealant-resistant material. The special surface shape and solid base make it ideally suited for various purposes. The block design ensures proper positioning of the glass panes during installation.
- Each block has a load capacity of 300 kg.



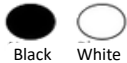
Acabados disponibles:



Simple built-in pull handle


Dic
Serie Perimetral
the 70mm

Available colors:



Code

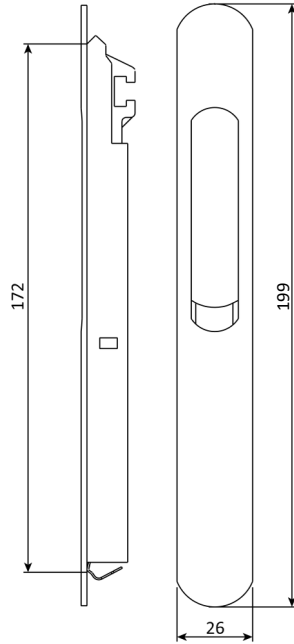
UJ009

- Made of extruded aluminum, zinc alloy and PVC.
- Concealed screw pressure installation system.

Hardware for 70mm Perimeter Series Door and Window Systems

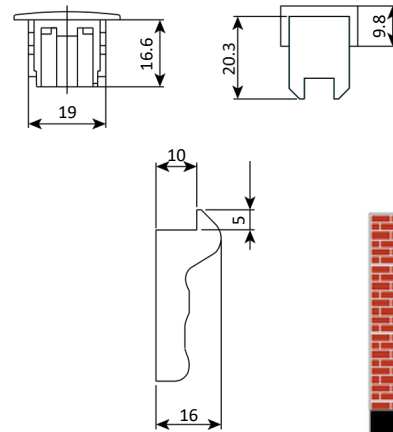
Corners - Bearings - Handles - Locks

Concealed screw perimeter closure



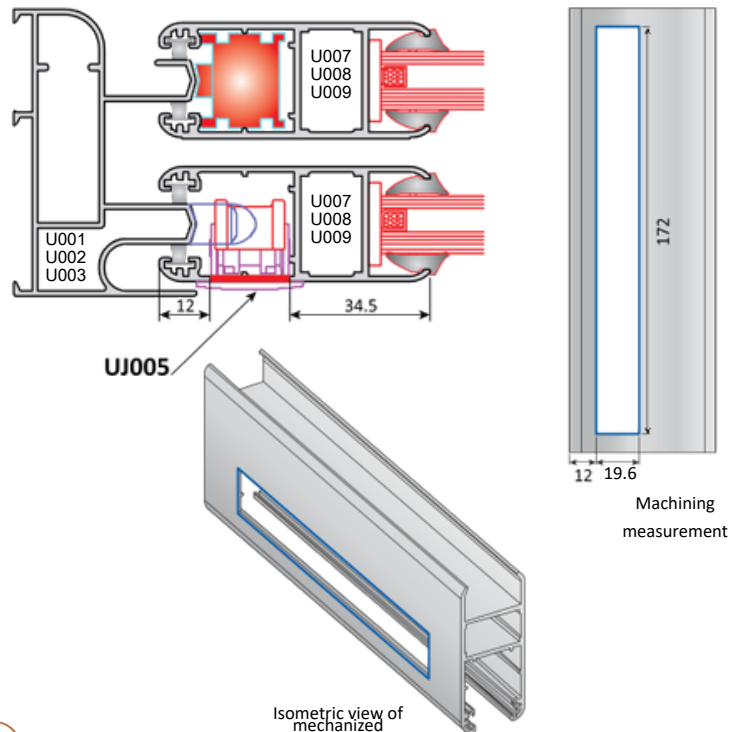
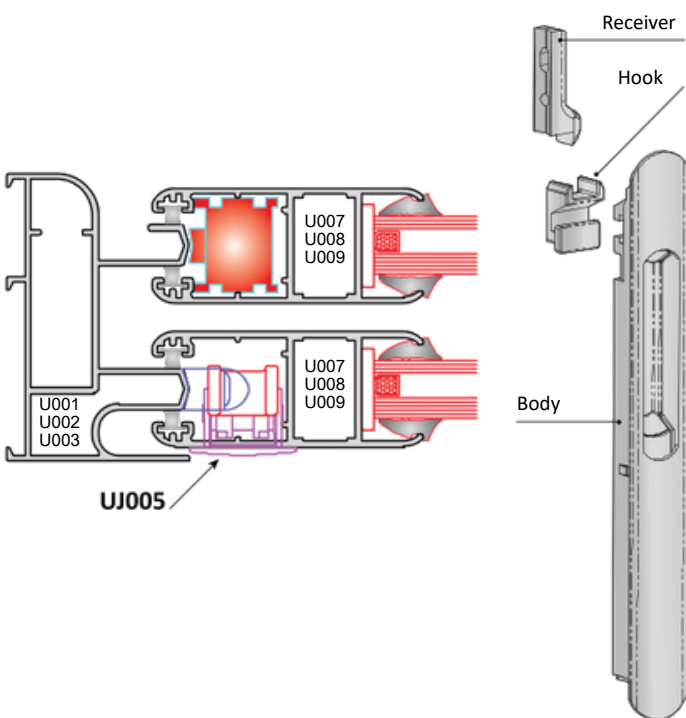
Characteristics:

- Made of extruded aluminum, zinc alloy and PVC.
- Available in white and black painted finishes.
- Automatic perimeter locking system.
- Includes hook and European-style receiver.
- Concealed screw-on, pressure-mounted installation system.



UJ005 Assembly in 70mm Perimeter Series

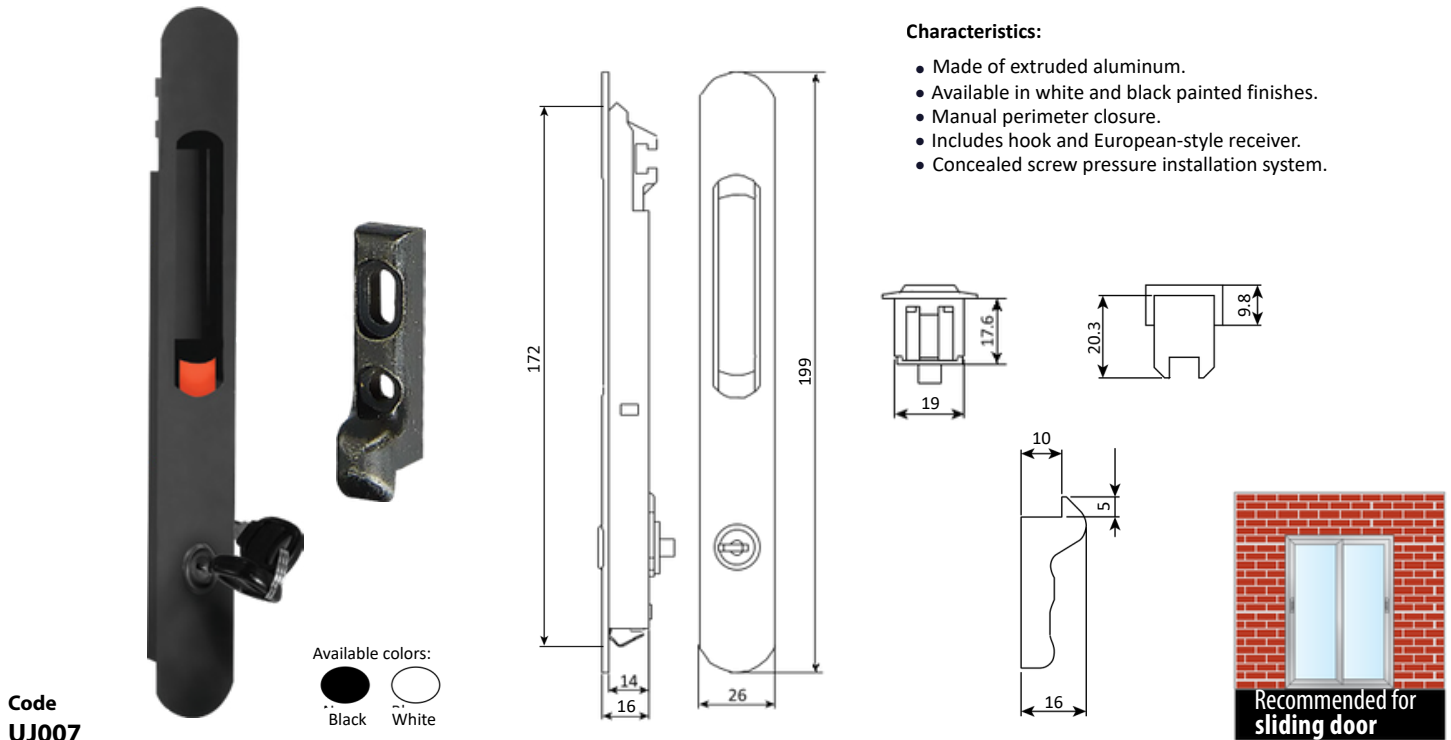
Machining of UJ005 in 70 mm Perimeter Series



Hardware for 70mm Perimeter Series Door and Window Systems

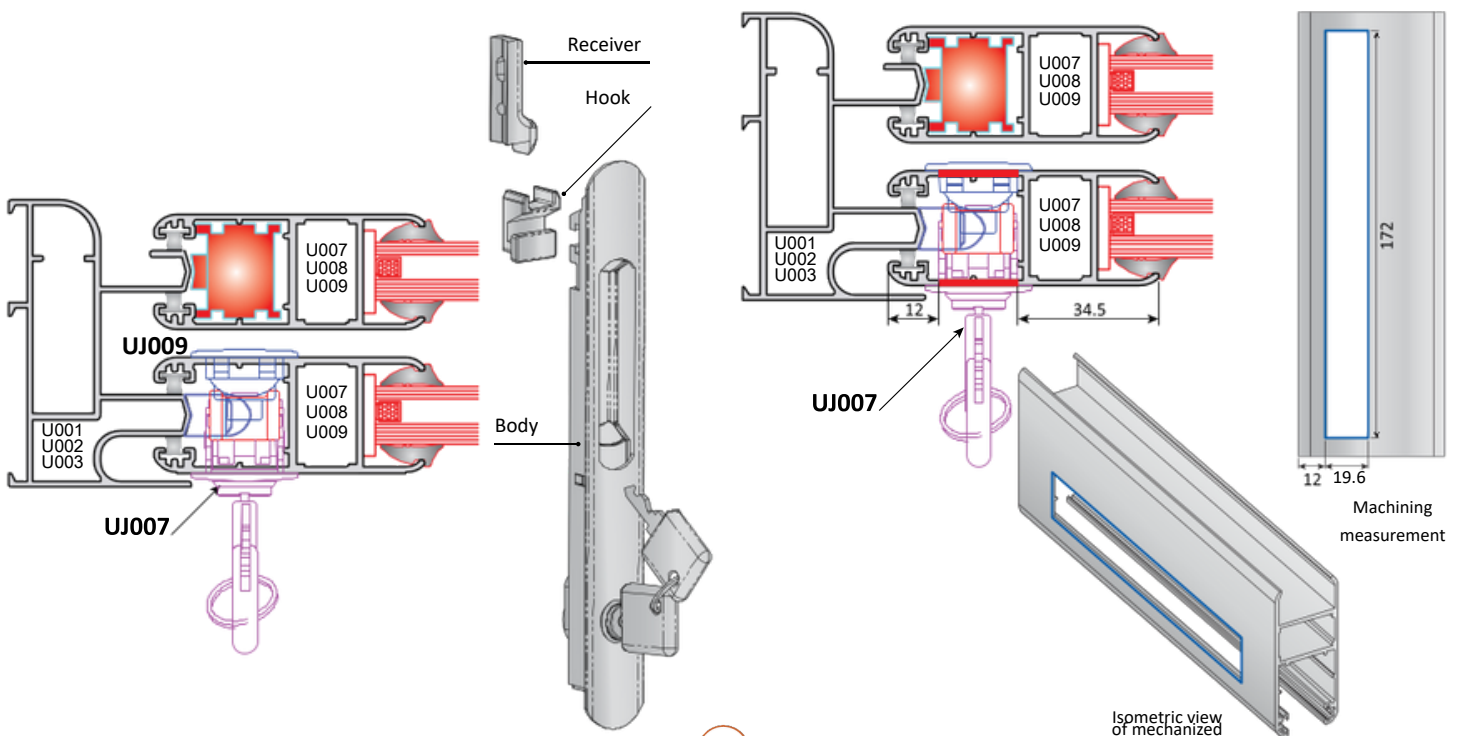
Corners - Bearings - Handles - Locks

Perimeter lock with concealed screw key



UJ007 Assembly in 70mm Perimeter Series

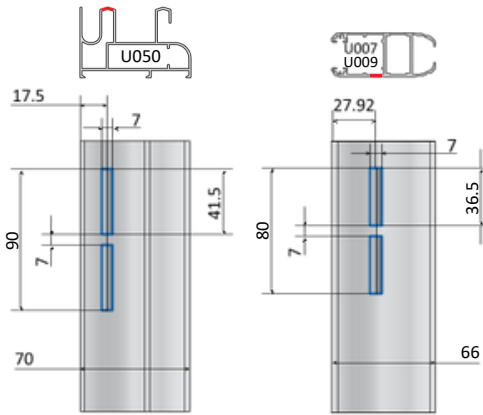
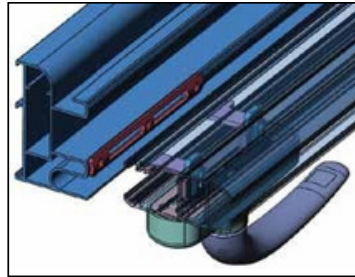
Machining of UJ007 in 70 mm Perimeter Series



Hardware for 70mm Perimeter Series Door and Window Systems

Corners - Bearings - Handles - Locks

SecurEasy perimeter lock for 70 mm

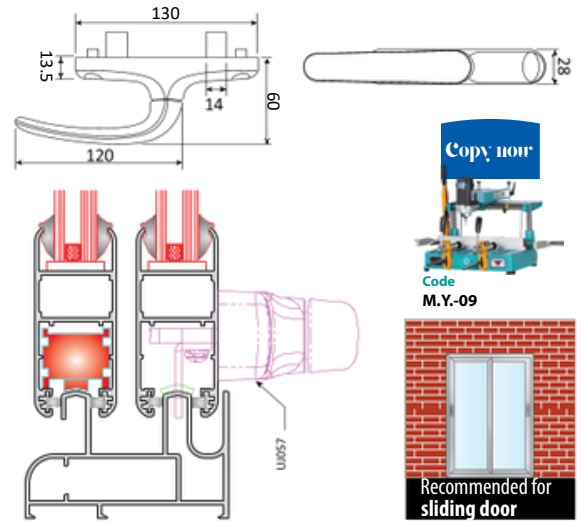


Code
UJ057

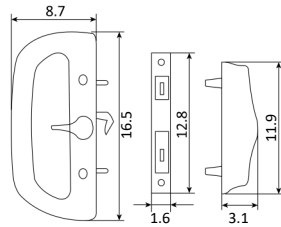
Available colors:
 Black
 White

Characteristics:

- Available in a painted finish in white or black.
- Made of aluminum and zinc alloy.
- Reversible left/right opening.
- Requires machining of the sash and frame.
- Double locking point for added security.



Aluminum sliding door lock



- Latch made of rolled steel.
- Made of zinc alloy.
- No machining required.
- Mounts to profile.
- Includes strike plate, cylinder, handle, and 3 keys.

Code	White finish
US066	Natural
US064	aluminum
US065	Black

Use: It doesn't work with a shooter.

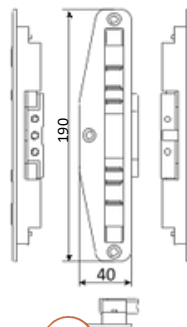
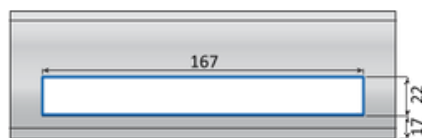


Double hook mortise closure

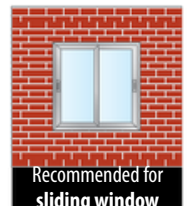
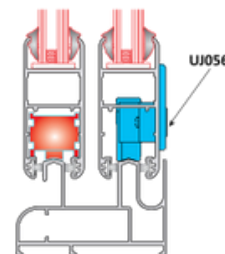


Available colors:
 Black
 White
 Silver

Code
UJ056



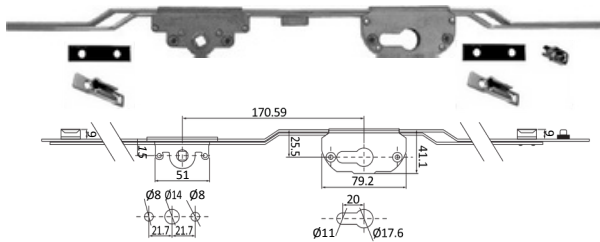
- Available in a painted finish in white or black.
- Made of extruded aluminum, an aluminum-zinc alloy.
- Installation system with exposed screws.



Hardware for 70mm Perimeter Series Door and Window Systems

Multi-point locks

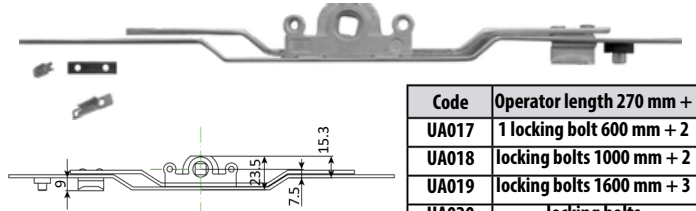
Multipoint locking with CM25 cylinder



Code
UA077

- Includes 3 locking hooks, anti-tip stop, and frame receivers.
- Function for European cylinder locks. Locking from both sides.
- Length 1600mm.

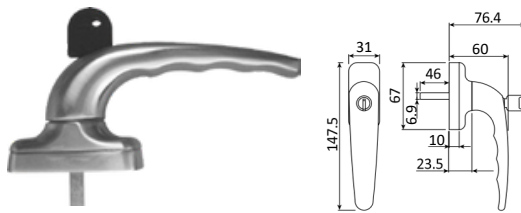
CM75 Multipoint Lock



Code	Operator length 270 mm +
UA017	1 locking bolt 600 mm + 2
UA018	locking bolts 1000 mm + 2
UA019	locking bolts 1600 mm + 3
UA020	locking bolts

- CM75 multipoint operator, reinforced metal, silver finish.
- Includes locking bolt, frame receiver, and anti-tip safety stop.
- Can be operated by UJ021 and UA023 handles.
- Requires machining with a copier and die.

Multipoint operator handle (8 x 8 grid operator) with key



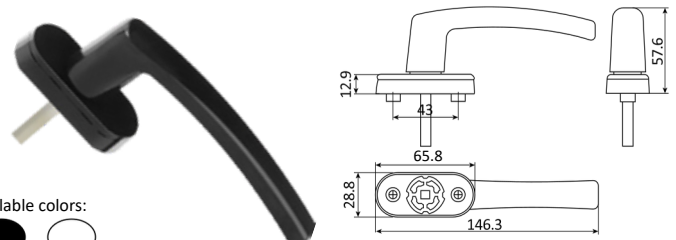
Available colors:



Code
UA023

- Made of aluminum and zinc alloy.
- Reversible left and right function.
- Available in a painted finish in white or black.

Multipoint operator handle (8 x 8 grid operator) without key



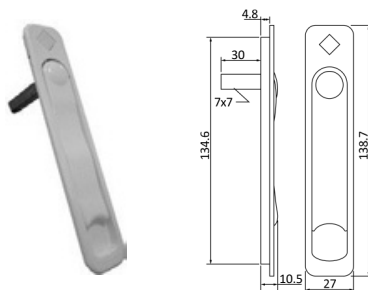
Available colors:



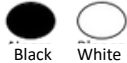
Code
UJ021

- Made of aluminum and zinc alloy.
- Reversible left and right function.
- Available in a painted finish in white or black.

Multipoint recessed handle



Available colors:



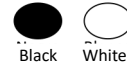
Code
UA078

- 8x8 grid.
- Available in white or black painted finish.

Left-right multipoint angled handle



Available colors:



Code
UA079

- Angled handle to prevent hand-frame contact during opening.
- Handle for operating multipoint locking mechanisms on sliding windows (CM75 and 25).
- Fixes to the multipoint locking mechanism with 2 screws.
- 8x8 grid, rotating decorative shield.

Right
Code
UA079

Left
Code
UA080

60mm European profile cylinder



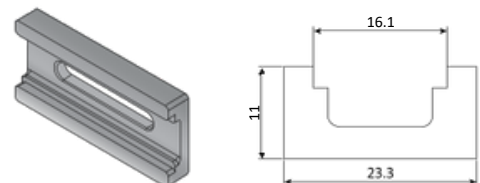
Sold separately

Glossy
finish

Code
US040

- 6-pin mechanism.
- Stainless steel spring.
- With split cams.
- Includes 3 keys.

CM75 Multipoint Closure Wedge



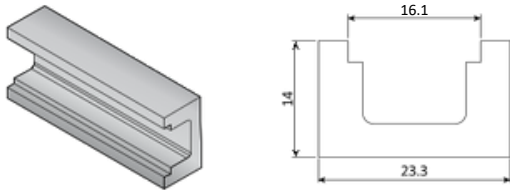
Code
UA021

- High-strength black PVC injection molded.
- Coupling shim for drive rod on U007, U008, and U009 profiles.
- It is recommended to use 2 shims for UA017 and UA018 fasteners and 4 shims for UA019 and UA020 fasteners.

Hardware for 70mm Perimeter Series Door and Window Systems

Multi-point locks

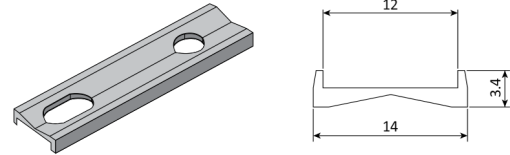
Multipoint closure wedge UA077



- High-strength black PVC injection molded.
- Coupling shim for drive bar on U007, U008, and U009 profiles.
- Recommended use of 4 UA077 shims for closure.

Code
UA083

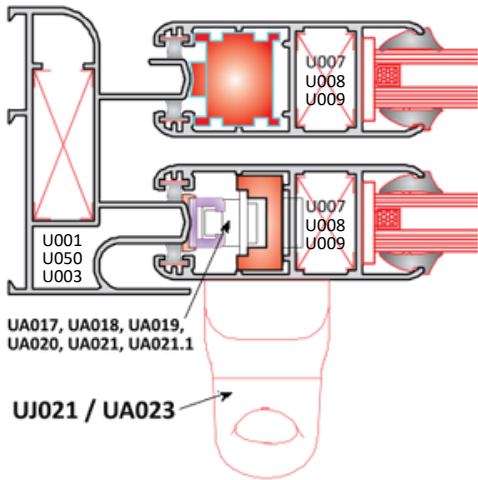
Frame receiver wedge



- High-strength black PVC injection molded.
- Coupling shim for drive bar on U007, U008, and U009 profiles.
- Recommended to use 1 wedge per receiver.

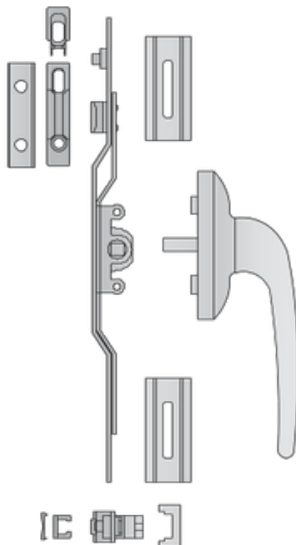
Code
UA021.1

CM75 Multipoint Operator Assembly

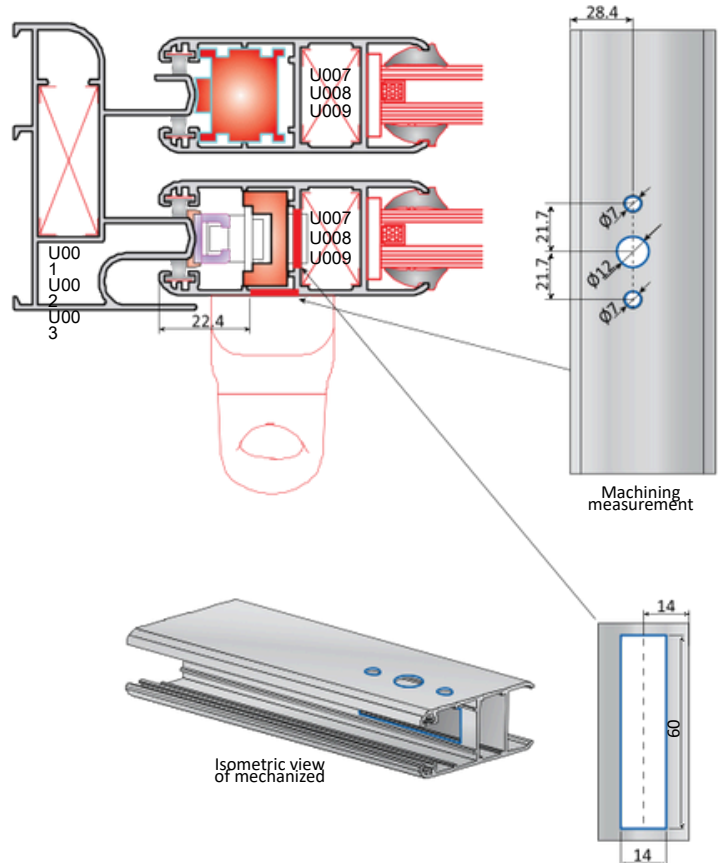


UA017, UA018, UA019,
UA020, UA021, UA021.1

UJ021 / UA023



CM75 Multi-Point Operator Machining



Machining
measurement

Isometric view
of mechanized

Hardware for 70mm Perimeter Series Door and Window Systems

Mosquito net

Mosquito net



Code
UPPE18x18

The yarn is based on a two-component core-coating composite technology, consisting of a natural hydrophobic coating. The yarns are bonded at 140°C. The mesh size will remain unchanged after being heated.

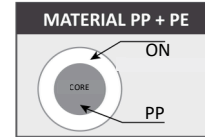


<p>Eco-friendly</p> <p>Provides reliable and environmentally friendly protection.</p>	<p>UV Protection</p> <p>High-quality UV resistance to ensure a long lifespan.</p>	<p>Invisible</p> <p>Thread 0.2 mm thick, offering better visibility from the inside, light transmission, and ventilation.</p>
<p>Stability</p> <p>Folding or fixed positions. Stable and does not fade in the sun.</p>	<p>Cleaning</p> <p>The coating is hydrophobic, dirt-resistant, and easy to clean.</p>	<p>Foldable screen</p> <p>It's convenient to fold. It has good durability and a long lifespan.</p>

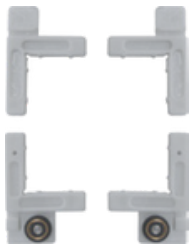
SPECS	
Mesh Size	18 x 18
Thread	0.20 mm
Yarn	250 dtex
Weave	Smooth
Width	fabric 2.5
Length	m 30 m
Color	Black, gray
Material	PP + PE
Weight	41g / m2

Characteristics:

- 50% PE for the outer layer and 50% PP for the core.
- The outer layer is naturally waterproof and UV resistant.
- Anti-aging, lasts up to 7 years.
- More durable than fiberglass insect screens, tear-resistant.



Mosquito net frame bracket and wheel



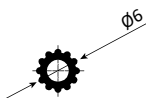
Code
UA004

- U049 mosquito net, does not require machining of the profile. White rigid PVC piece, for joining leaf frame.

Mounting rubber

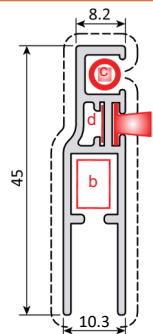


EPDM
ALTA CALIDAD



Code
UI013

Mosquito net leaf section



Code
U049

Mosquito net cutter



Code
BAM020

Mosquito net installation

