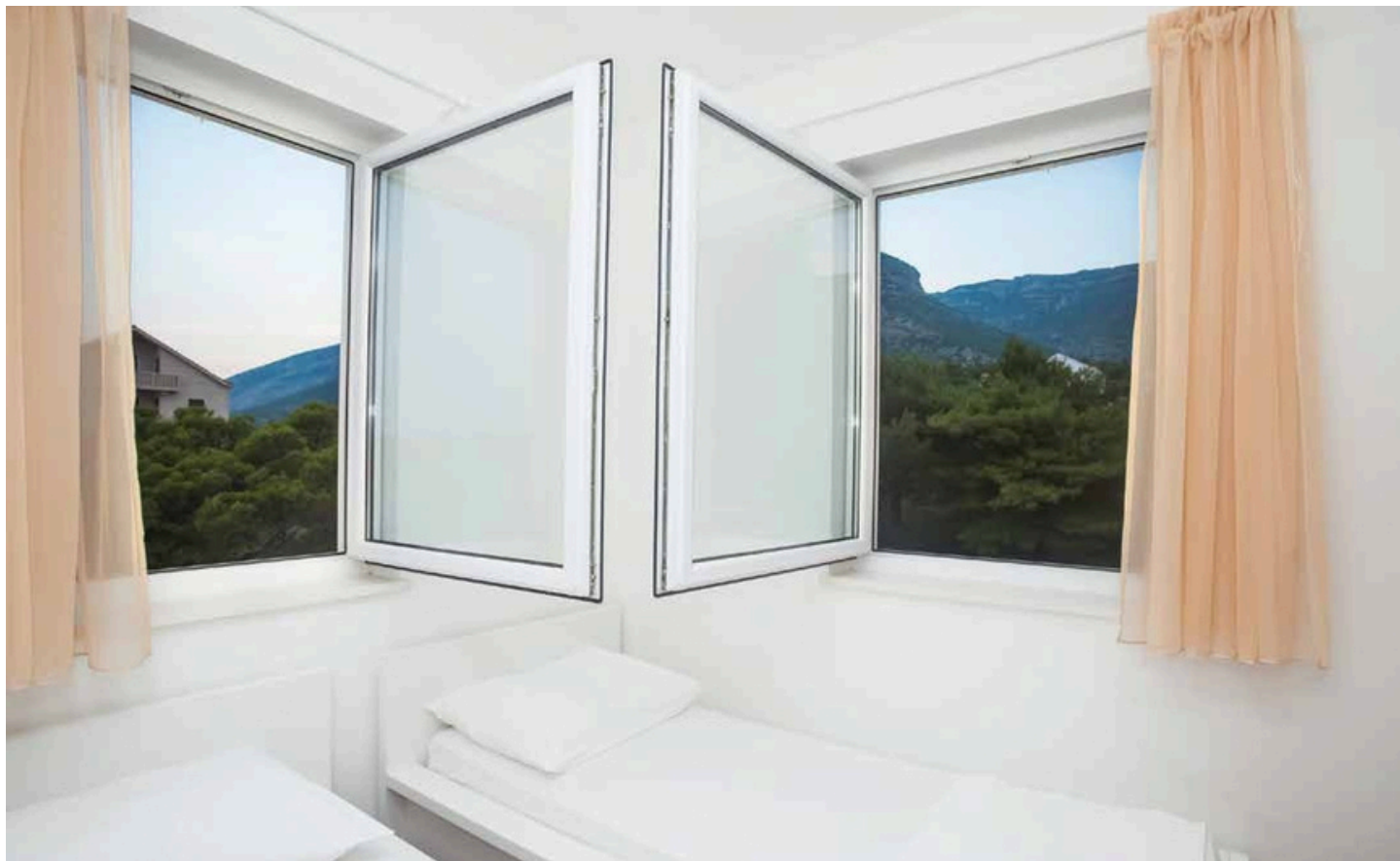




45MM FOLDING SERIES

Aluminum exterior joinery series, for windows and doors.





45mm Folding Series

Characteristics

- High-end folding system, with features that fully meet requirements functionality, flexibility, ergonomics and quality.
- It allows for a wide variety of designs and assemblies, offering versatility in any space.
- Complete hardware line. For European channel support, it allows the use of all types of compatible hardware.
- Frame and leaf brackets to guarantee quality finish, good alignment and firmness.
- Good thermal performance and watertightness (against water and temperature).
- Accordion-type folding system, a good solution to increase or limit functionality in open spaces.

Geometry of the Series

- Perimeter frame of 45, 60, 70 and 105 mm wide and 46 mm high.
- 52 mm thick sheets.
- 1.4 mm and 1.5 mm thick for doors.
- 45° cut sheets.
- Joined with corner brackets.
- Total opening 41 mm.

Glazing

- Maximum thickness of glass or panels 26 mm and minimum 1 mm (according to glazing table).

Monolithic

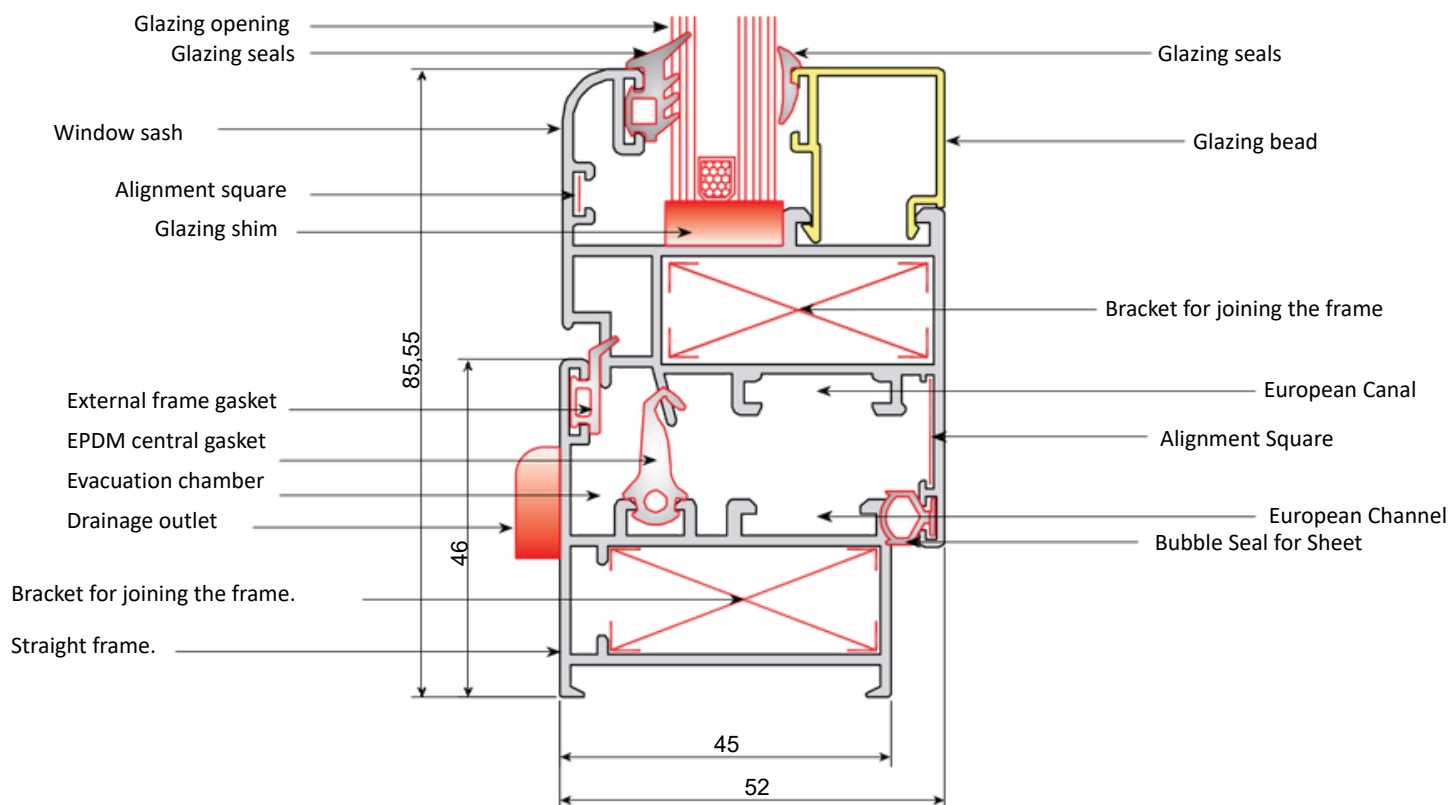
Laminate

Double



45mm hinged section with subframe and overlap

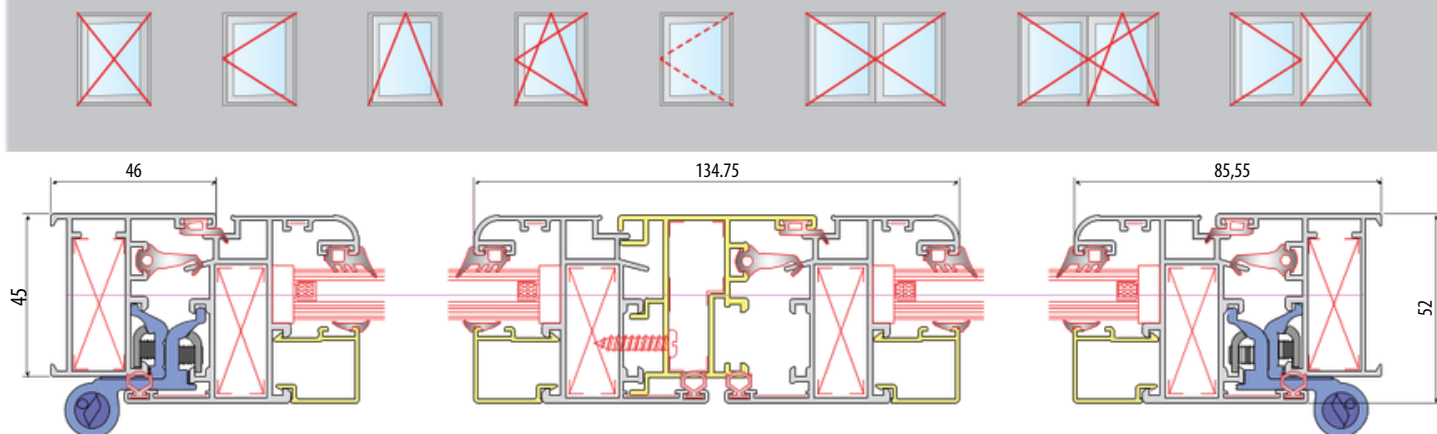
Technical specifications Folding system 45mm



Technical data

Section width	Frame width 45 mm / Leaf width 52 mm. Optionally available frame widths of 60, 70 and 105 mm.
Profile thickness	Thickness 1.4 – 1.6 mm.
Glazing opening	From 10 to 26 mm.
Bead height	19 mm.
Type of rushes	Straight clip, curved clip, and curved staple.
Use	Construction of 1 and 2 sash operable windows, tilt-and-turn windows and also exterior openings.
Compatible series	70mm perimeter sliding door. 70mm perimeter sliding door + straight cut. 60mm perimeter sliding door.
Alloy of the profiles	EN-AW-6060 T5 / EN-AW-6063 T5. Alloy 6060/6063 and T5, according to chemical composition standards.
Finishes	Available in surface treatments with a wide range of Colors and textures. Fittings for European channels, wheels, casters, rails, and rollers adapted to the system. Special extruded high-strength resins.
Hardware	Standard channels for European channel fittings.

Types of opening






Mechanical resistance

Capacity to withstand loads of the safety mechanisms

APT (350 N)

Estimated values for a 2-leaf window measuring 1230x1480mm with the indicated glazing 4/12/4. According to standard UNE-EN 14609-:2004

Maximum dimensions

	Width		Height		Maximum weight
	1600 mm		2800 mm		per sheet: 150 kg

Maximum dimensions for a 2-leaf tilt-and-turn balcony door. Consult weight and dimensions for other types.

Thermal Insulation

Thermal transmittance of aluminum profiles

 $IN_{H,M} = 5.7 \text{ W/m}^2\text{K}$

Estimated values for a 2-leaf window measuring 1230x1480mm with the indicated glazing. According to standard UNE-EN ISO 10077-1:2010

Glass	U H,V Thermal transmittance of glass	U H Thermal transmittance of the window
4/8/4	3.1 W/m ² K	4.0 W/m ² K
4/12/6	2.90 W/m ² K	3.90 W/m ² K
4/12/6 be	1.70 W/m ² K	3.10 W/m ² K

Acoustic insulation

Glass (Characteristics, Rin)	4/12/6 (33 dB)	5/12/3+3 (36 dB)
Window sound reduction index (RW)	34 (-1;-3) dB	36 (-1;-3) dB

Estimated values for a 2-leaf window measuring 1230x1480mm with the indicated glazing. According to standard UNE-EN 14351-1:2006

Mechanical technical characteristics

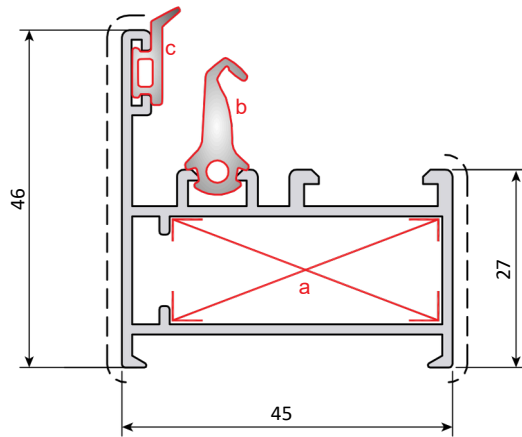
Behavior in response to external factors.

Classification	Standard	Value
Air permeability	UNE-EN 12207:2000	Class 3
Water tightness	UNE-EN 12208:2000	Class 9A
Wind load resistance	UNE-EN 12210:2000	Class C5

Estimated values for a 2-leaf window measuring 1200x1200mm with 4/12/4 glazing.

45mm folding series profiles

Window frame 45x46 mm



Window frame 45x46 mm

Code: U004		Weight (kg/m): 0.750	
Total perimeter (mm): 384		Overall thickness = 1.4	
Ext. perimeter (mm): 261		Alloy-Temper = 6063 T5	
a	UA001	b	UI001
c	UI003	d	---

Available finishes:



Natural anodized

White Lacquer

Black Anodized

Anodized Bronze

Textured lacquer
Dark grey

Wood lacquer

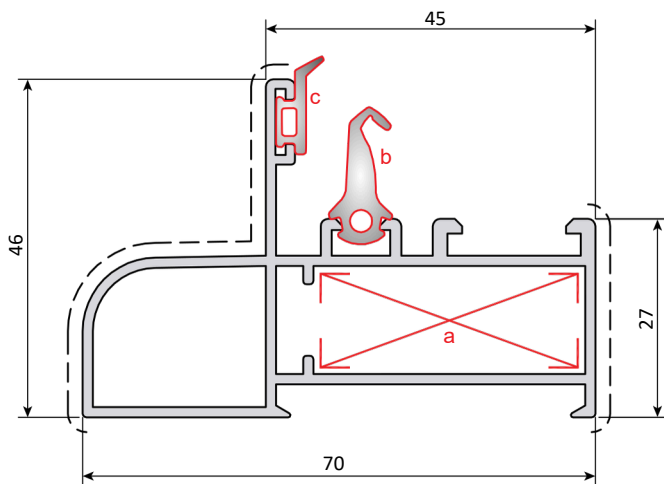
LENGTH 5.85

METERS

*Check availability of different finishes.



Window frame 70x46 mm



Window frame 70x46 mm

Code: U005		Weight (kg/m): 0.995	
Total perimeter (mm): 512		Overall thickness = 1.4	
Ext. perimeter (mm): 307		Alloy-Temper = 6063 T5	
a	UA001	b	UI001
c	UI003	d	---

Available finishes:



Natural anodized

White Lacquer

Black Anodized

Anodized Bronze

Textured lacquer
Dark grey

Wood lacquer

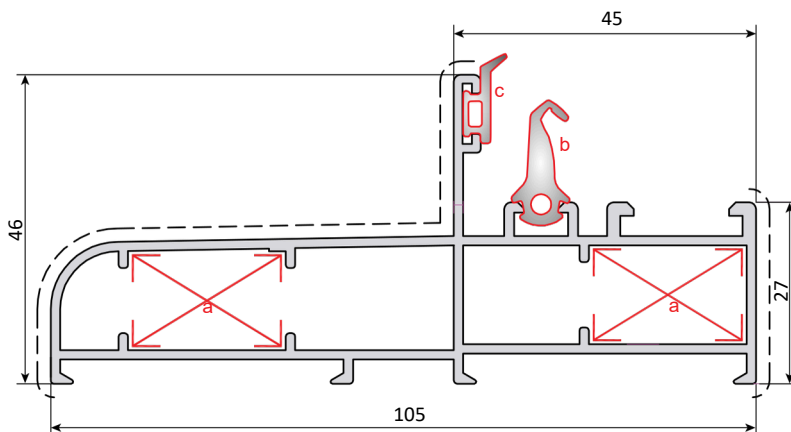
LENGTH 5.85

METERS

*Check availability of different finishes.



Window frame 105x46 mm



Window frame 105x46 mm

Code: U006		Weight (kg/m): 1.323	
Total perimeter (mm): 682		Overall thickness = 1.4	
Ext. perimeter (mm): 396		Alloy-Temper = 6063 T5	
a	UA002	b	UI001
c	UI003	d	---

Available finishes:



Natural anodized

White Lacquer

Black Anodized

Anodized Bronze

Textured lacquer
Dark grey

Wood lacquer

LENGTH 5.85

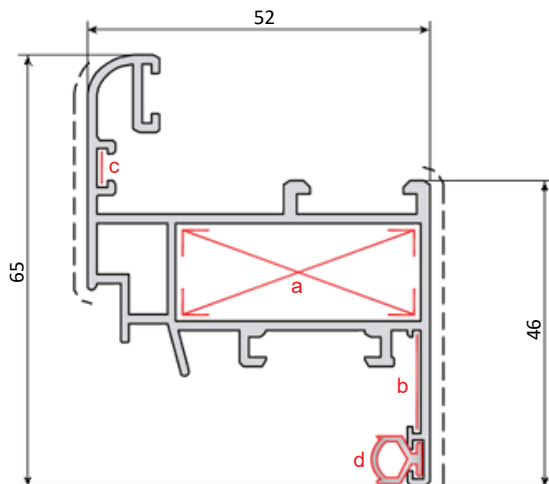
METERS

*Check availability of different finishes.



45mm folding series profiles

Casement window sash 52x65 mm



Casement window sash 52x65 mm

Code: U016		Weight (kg/m): 1.050	
Total perimeter (mm): 539		Overall thickness = 1.4	
Ext. perimeter (mm): 386		Alloy-Temper = 6063 T5	
a	UA001	b	UA066
c	UA065	d	UI002

Available finishes:



Natural anodized

White Lacquer

Black Anodized

Anodized Bronze

Textured lacquer

Dark grey

Wood lacquer

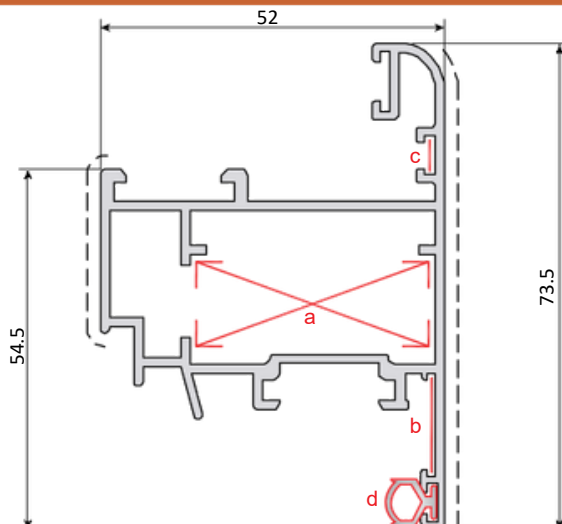
LENGTH 5.85

METERS

*Check availability of different finishes.



Tilt and turn window sash, outward opening 52x73.5 mm



Tilt and turn window sash, outward opening 52x73.5 mm

Code: U017		Weight (kg/m): 1.137	
Total perimeter (mm): 585		Overall thickness = 1.4	
Ext. perimeter (mm): 405		Alloy-Temper = 6063 T5	
a	UA001	b	UA066
c	UA065	d	UI002

Available finishes:



Natural anodized

White Lacquer

Black Anodized

Anodized Bronze

Textured lacquer

Dark grey

Wood lacquer

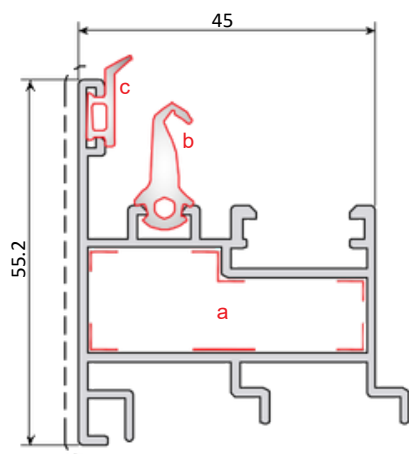
LENGTH 5.85

METERS

*Check availability of different finishes.



Leaf inverter



Leaf inverter

Code: U018		Weight (kg/m): 0.940	
Total perimeter (mm): 484		Overall thickness = 1.4	
Ext. perimeter (mm): 368		Alloy-Temper = 6063 T5	
a	UA059	b	UI001
c	UI003	d	---

Available finishes:



Natural anodized

White Lacquer

Black Anodized

Anodized Bronze

Textured lacquer

Dark grey

Wood lacquer

LENGTH 5.85

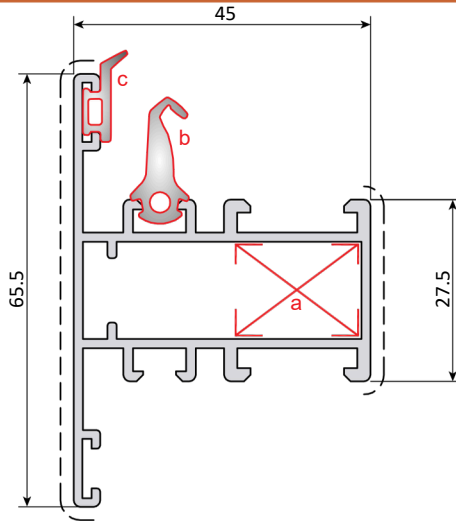
METERS

*Check availability of different finishes.



45mm folding series profiles

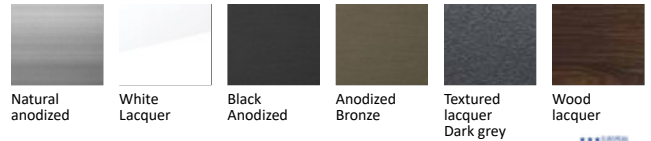
Window crossbar 45x65.5 mm



Window crossbar 45x65.5 mm

Code: U019	Weight (kg/m): 0.940		
Total perimeter (mm): 474	Overall thickness = 1.4		
Ext. perimeter (mm): 351	Alloy-Temper = 6063 T5		
a	UA064	b	UI001
c	UI003	d	---

Available finishes:



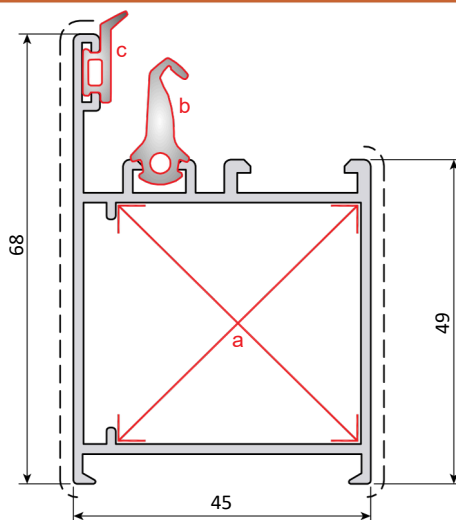
LENGTH 5.85

METERS

*Check availability of different finishes.



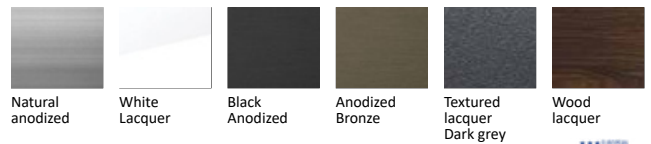
Door frame 45 mm



Door frame 45 mm

Code: U020	Weight (kg/m): 0.961		
Total perimeter (mm): 471	Overall thickness = 1.5		
Ext. perimeter (mm): 305	Alloy-Temper = 6063 T5		
a	UA068	b	UI001
c	UI003	d	---

Available finishes:



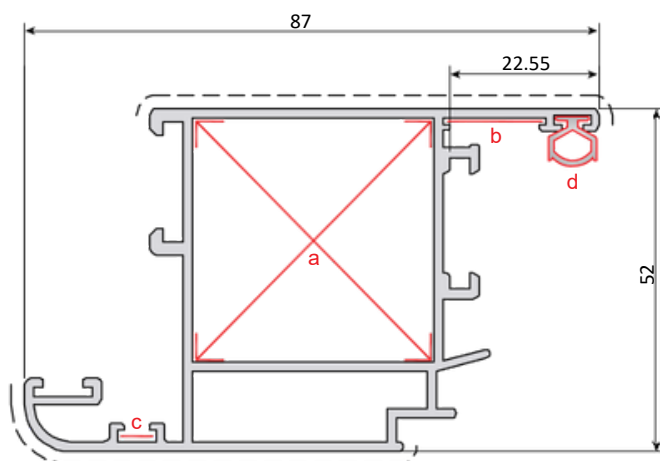
LENGTH 5.85

METERS

*Check availability of different finishes.



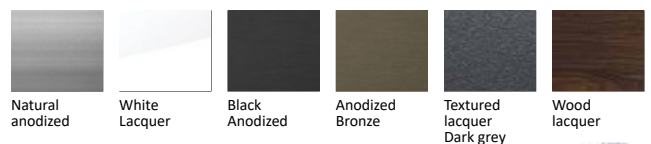
Hinged door leaf 52x87 mm



Hinged door leaf 52x87 mm

Code: U021	Weight (kg/m): 1.339		
Total perimeter (mm): 668	Overall thickness = 1.4		
Ext. perimeter (mm): 429	Alloy-Temper = 6063 T5		
a	UA068	b	UA066
c	UA065	d	UI002

Available finishes:



LENGTH 5.85

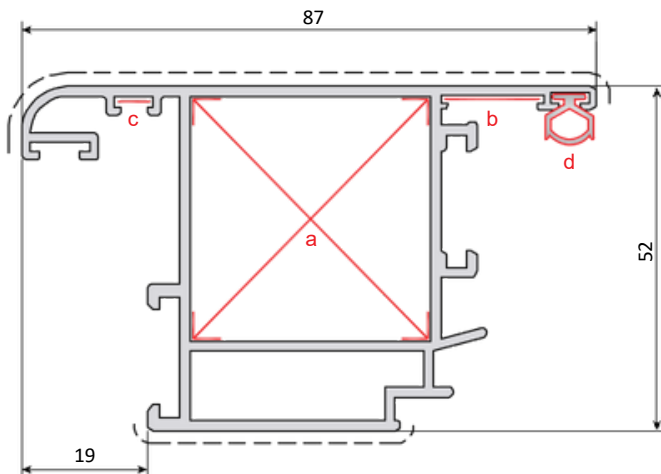
METERS

*Check availability of different finishes.



45mm folding series profiles

Door leaf Ab. 52x87 mm, outward opening



Door leaf Ab. 52x87 mm, outward opening

Code: U022		Weight (kg/m): 1.339	
Total perimeter (mm): 668		Overall thickness = 1.5	
Ext. perimeter (mm): 429		Alloy-Temper = 6063 T5	
a	UA068	b	UA066
c	UI065	d	UI002

Available finishes:



Natural anodized

White Lacquer

Black Anodized

Anodized Bronze

Textured lacquer

Dark grey

Wood lacquer

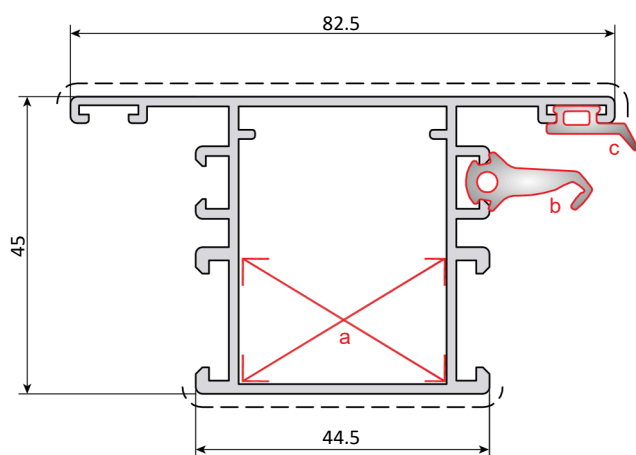
LENGTH 5.85

METERS

*Check availability of different finishes.



Door crossbar 45x82.5 mm



Door crossbar 45x82.5 mm

Code: U023		Weight (kg/m): 1.117	
Total perimeter (mm): 541		Overall thickness = 1.5	
Ext. perimeter (mm): 385		Alloy-Temper = 6063 T5	
a	UA067	b	UI001
c	UI003	d	---

Available finishes:



Natural anodized

White Lacquer

Black Anodized

Anodized Bronze

Textured lacquer

Dark grey

Wood lacquer

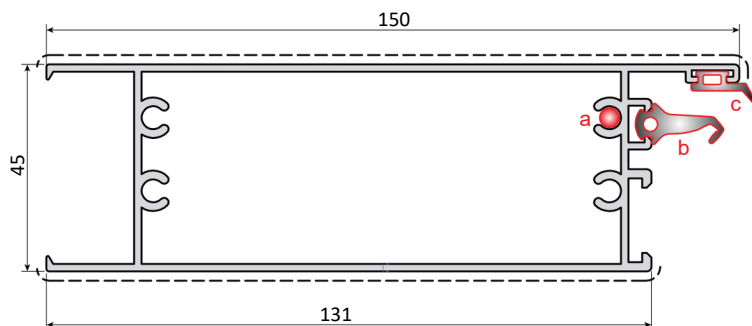
LENGTH 5.85

METERS

*Check availability of different finishes.



Lower door skirting board 45x150 mm



Lower door skirting board 45x150 mm

Code: U024		Weight (kg/m): 1.959	
Total perimeter (mm): 878		Overall thickness = 1.6	
Ext. perimeter (mm): 497		Alloy-Temper = 6063 T5	
a	Screw R/Ch D-6.3	b	UI001
c	UI003	d	---

Available finishes:



Natural anodized

White Lacquer

Black Anodized

Anodized Bronze

Textured lacquer

Dark grey

Wood lacquer

LENGTH 5.85

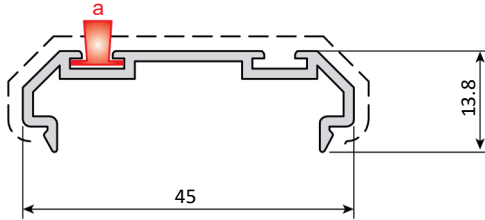
METERS

*Check availability of different finishes.



45mm folding series profiles

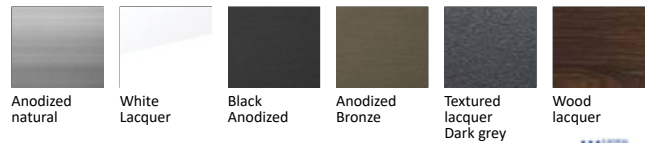
Cover for 45 mm frame, with felt



Cover for 45 mm frame, with felt

Code: U028		Weight (kg/m): 0.315	
Total perimeter (mm): 172		Overall thickness = 1.4	
Ext. perimeter (mm): 172		Alloy-Temper = 6063 T5	
a	UA012	b	---
c	---	d	---

Available finishes:



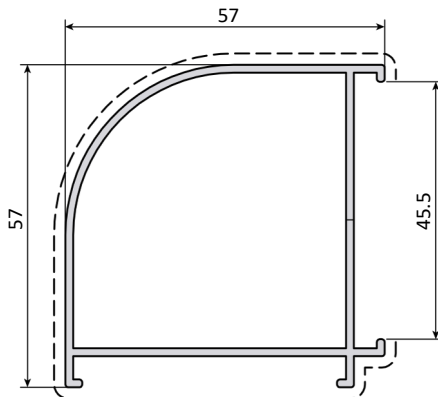
LENGTH 5.85

METERS

*Check availability of different finishes.



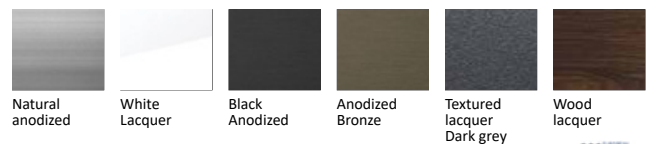
90° corner piece for 45 mm frame



90° corner piece for 45 mm frame

Code: U026		Weight (kg/m): 0.815	
Total perimeter (mm): 430		Overall thickness = 1.4	
Ext. perimeter (mm): 247		Alloy-Temper = 6063 T5	
a	---	b	---
c	---	d	---

Available finishes:



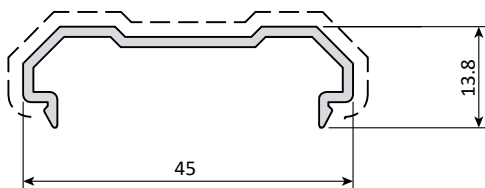
LENGTH 5.85

METERS

*Check availability of different finishes.



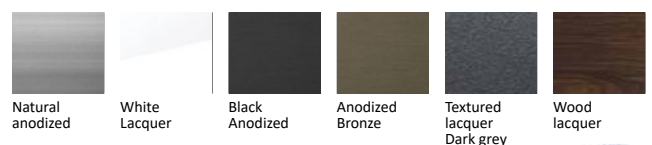
Cover for 45 mm frame, without felt



Cover for 45 mm frame, without felt

Code: U029		Weight (kg/m): 0.268	
Total perimeter (mm): 144		Overall thickness = 1.4	
Ext. perimeter (mm): 144		Alloy-Temper = 6063 T5	
a	---	b	---
c	---	d	---

Available finishes:



LENGTH 5.85

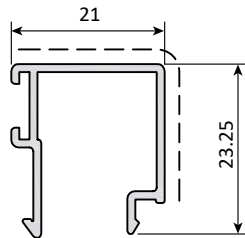
METERS

*Check availability of different finishes.



45mm folding series profiles

21 mm straight bead



21 mm straight bead

Code: U033		Weight (kg/m): 0.230	
Total perimeter (mm): 154		Overall thickness = 1.2	
Ext. perimeter (mm): 154		Alloy-Temper = 6063 T5	
a	---	b	---
c	---	d	---

Available finishes:



Natural anodized

White Lacquer

Black Anodized

Anodized Bronze

Textured lacquer Dark grey

Wood lacquer

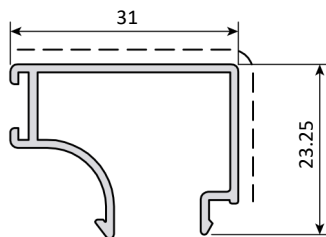
LENGTH 5.85

METERS



*Check availability of different finishes.

31 mm straight bead



31 mm straight bead

Code: U032		Weight (kg/m): 0.280	
Total perimeter (mm): 187		Overall thickness = 1.2	
Ext. perimeter (mm): 187		Alloy-Temper = 6063 T5	
a	---	b	---
c	---	d	---

Available finishes:



Natural anodized

White Lacquer

Black Anodized

Anodized Bronze

Textured lacquer Dark grey

Wood lacquer

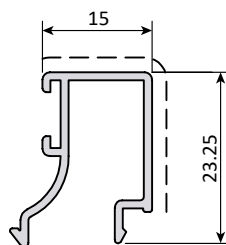
LENGTH 5.85

METERS



*Check availability of different finishes.

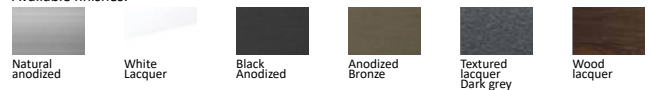
15 mm straight bead



15 mm straight bead

Code: U046		Weight (kg/m): 0.217	
Total perimeter (mm): 145		Overall thickness = 1.1	
Ext. perimeter (mm): 145		Alloy-Temper = 6063 T5	
a	---	b	---
c	---	d	---

Available finishes:



Natural anodized

White Lacquer

Black Anodized

Anodized Bronze

Textured lacquer Dark grey

Wood lacquer

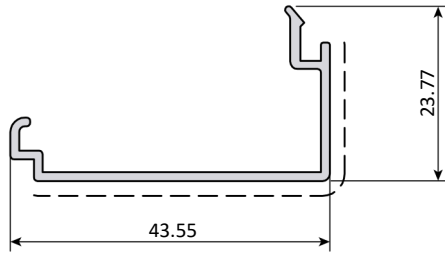
LENGTH 5.85

METERS

*Check availability of different finishes.

45mm folding series profiles

45 mm crossbar closure



45 mm crossbar closure

Code: U031

Weight (kg/m): 0.265

Total perimeter (mm): 163

Overall thickness = 1.2

Ext. perimeter (mm): 163

Alloy-Temper = 6063 T5

a	---	b	---
c	---	d	---

Available finishes:

Natural
anodizedWhite
LacquerBlack
AnodizedAnodized
BronzeTextured
lacquer
Dark greyWood
lacquer

LENGTH 5.85

METERS

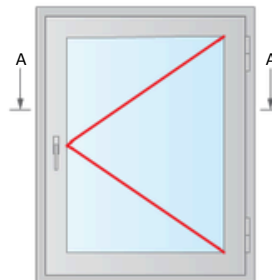
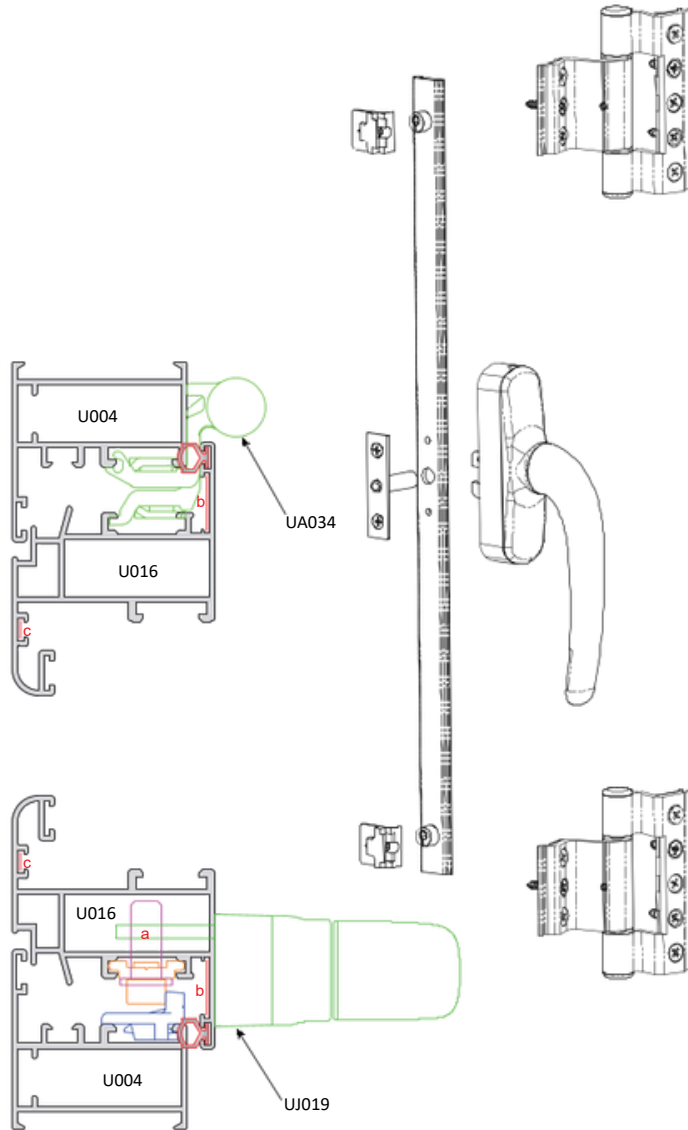
*Check availability of different finishes.



45mm folding series sections

Section A-A Views

CLOSING **SECUREAS®Y PLUS A (INTERNAL OPENING)**



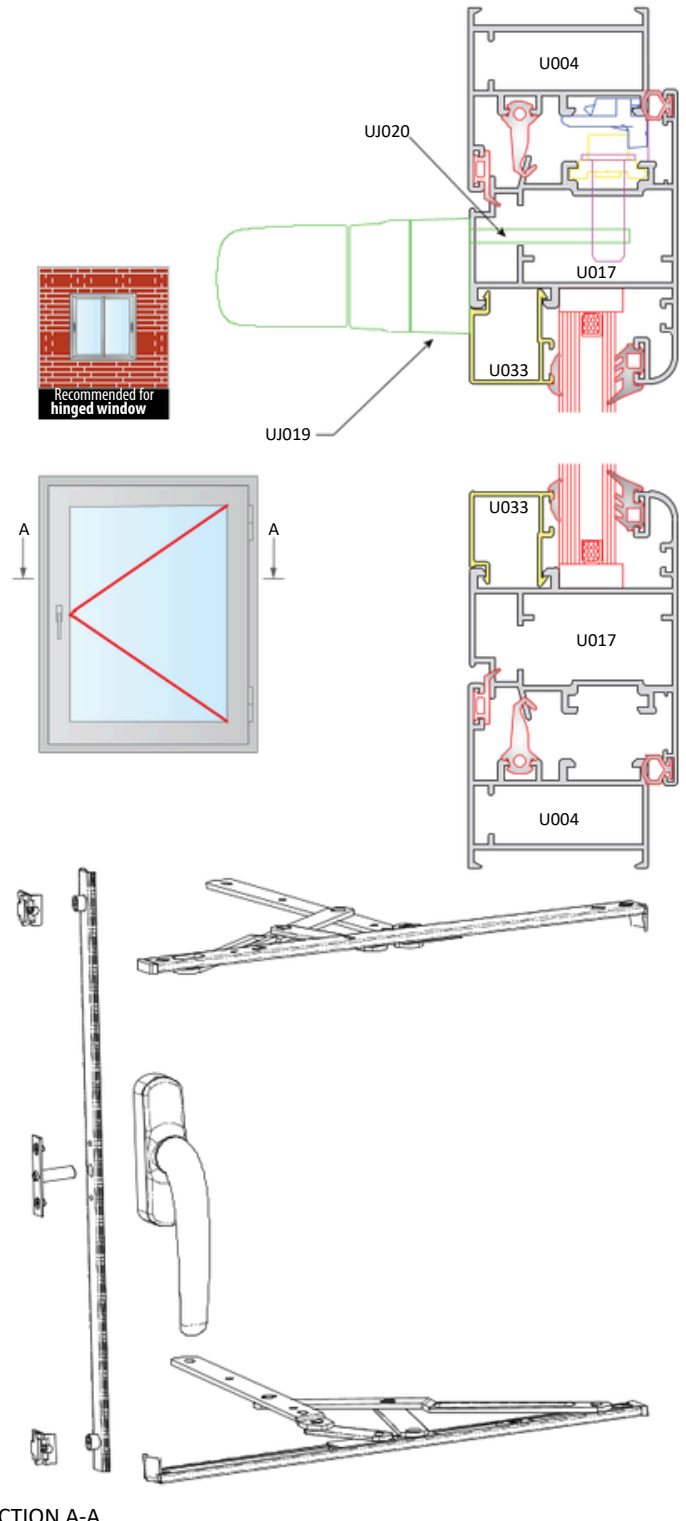
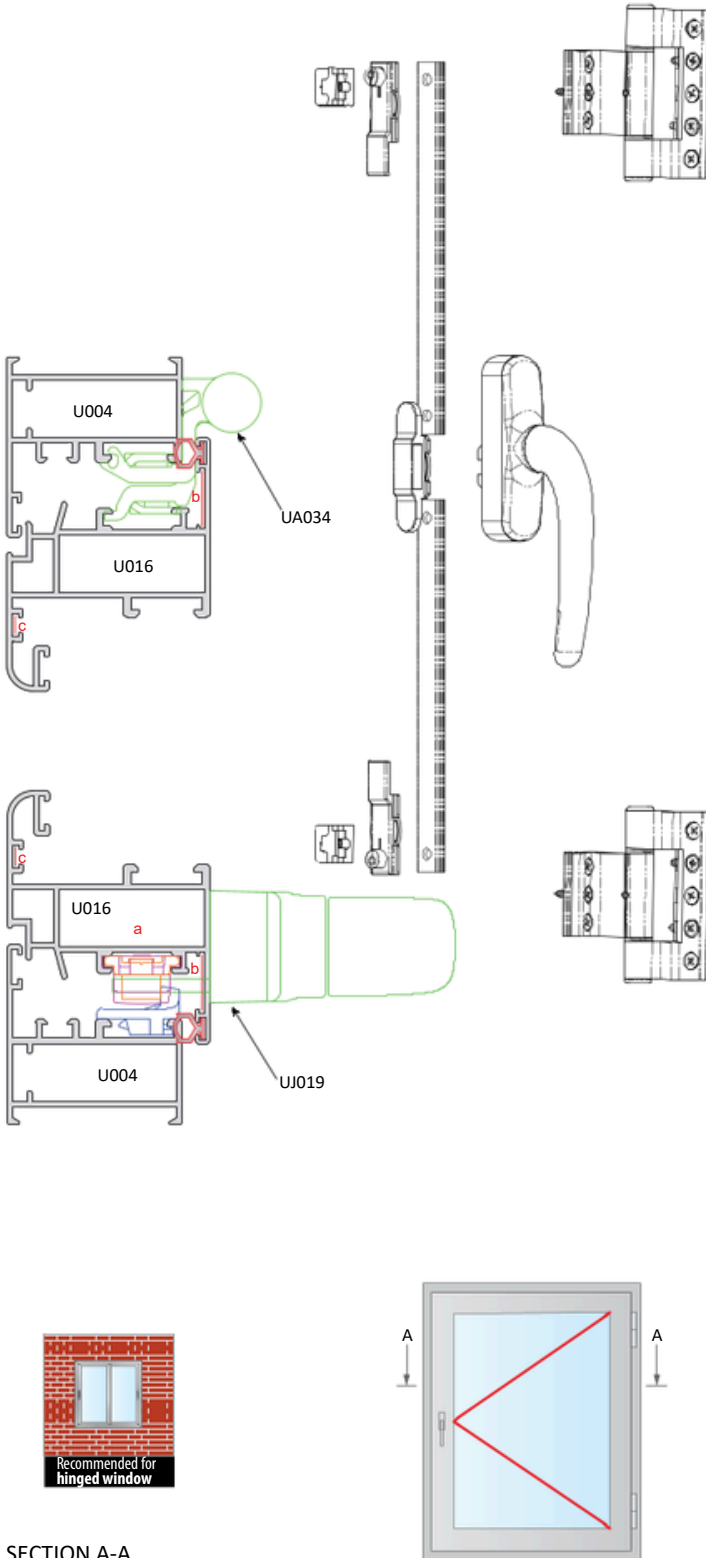
SECTION A-A

45mm folding series sections

Section A-A Views

CLOSING **SECUREAS®Y PLUS B**

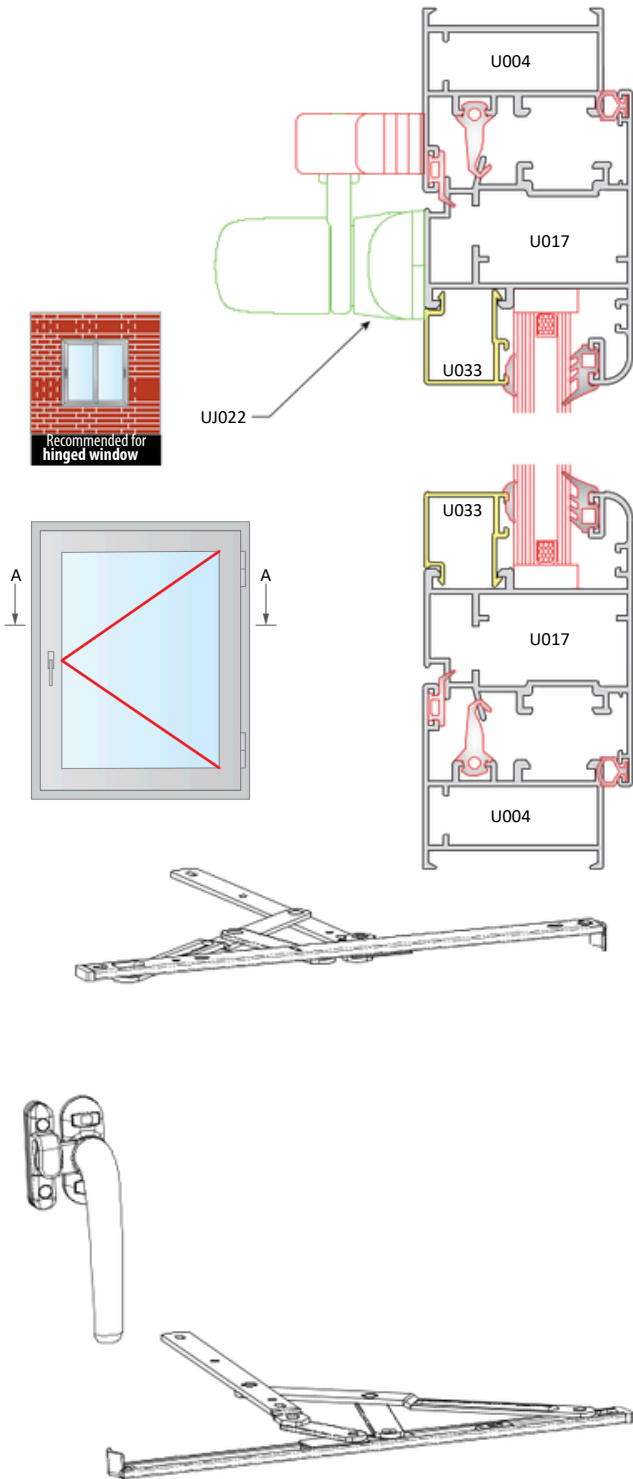
CLOSING **SECUREAS®Y PLUS A (External opening)**



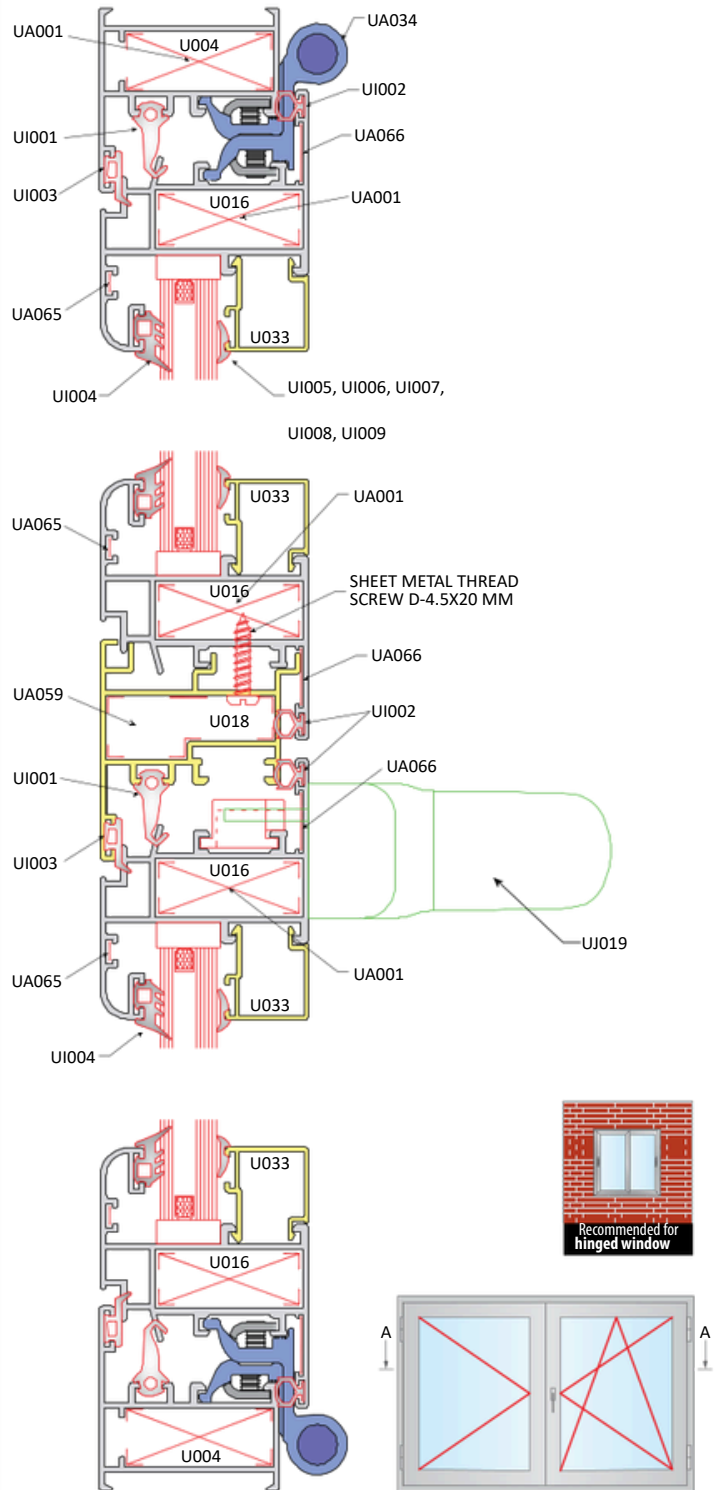
45mm folding series sections

Section A-A Views

PROJECTABLE WINDOW CLOSURE



CLOSURE FOR 2-PANEL HINGED WINDOW



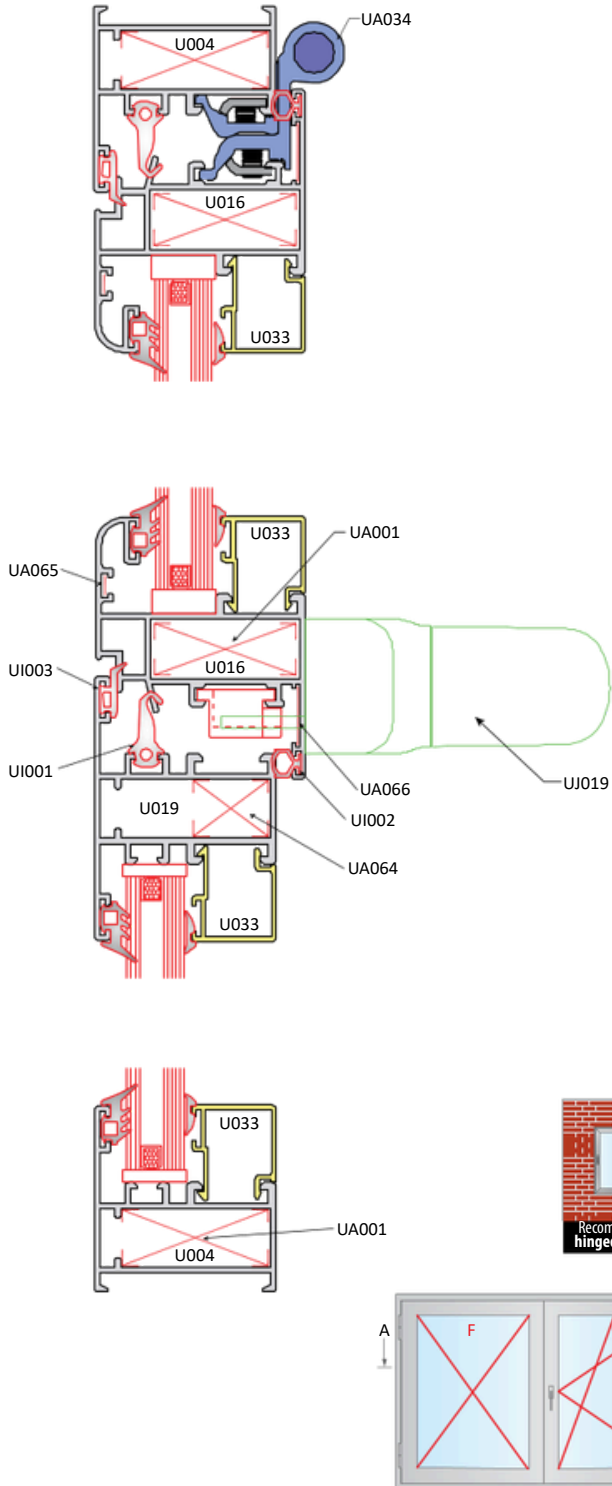
SECTION A-A

SECTION A-A

45mm folding series sections

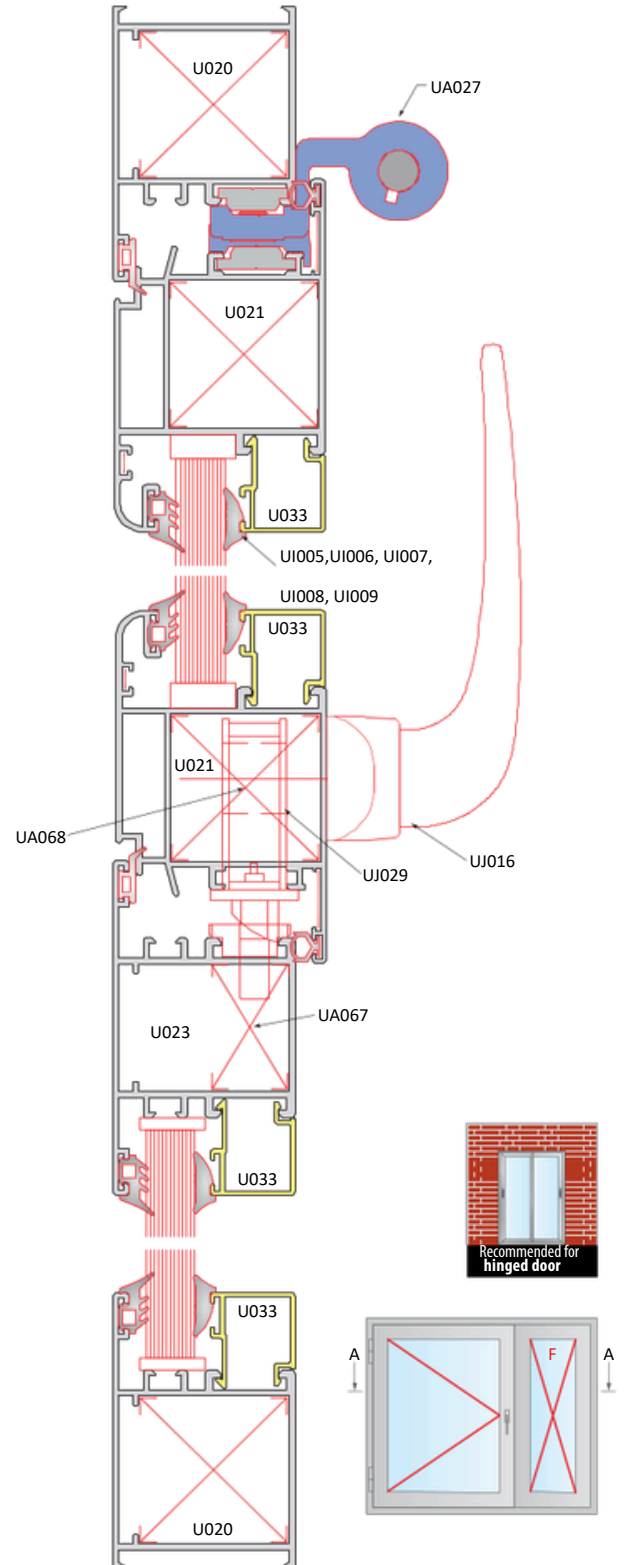
Section A-A Views

SINGLE-PANEL CURTAIN WINDOW WITH FIXED SIDE PANEL



SECTION A-A

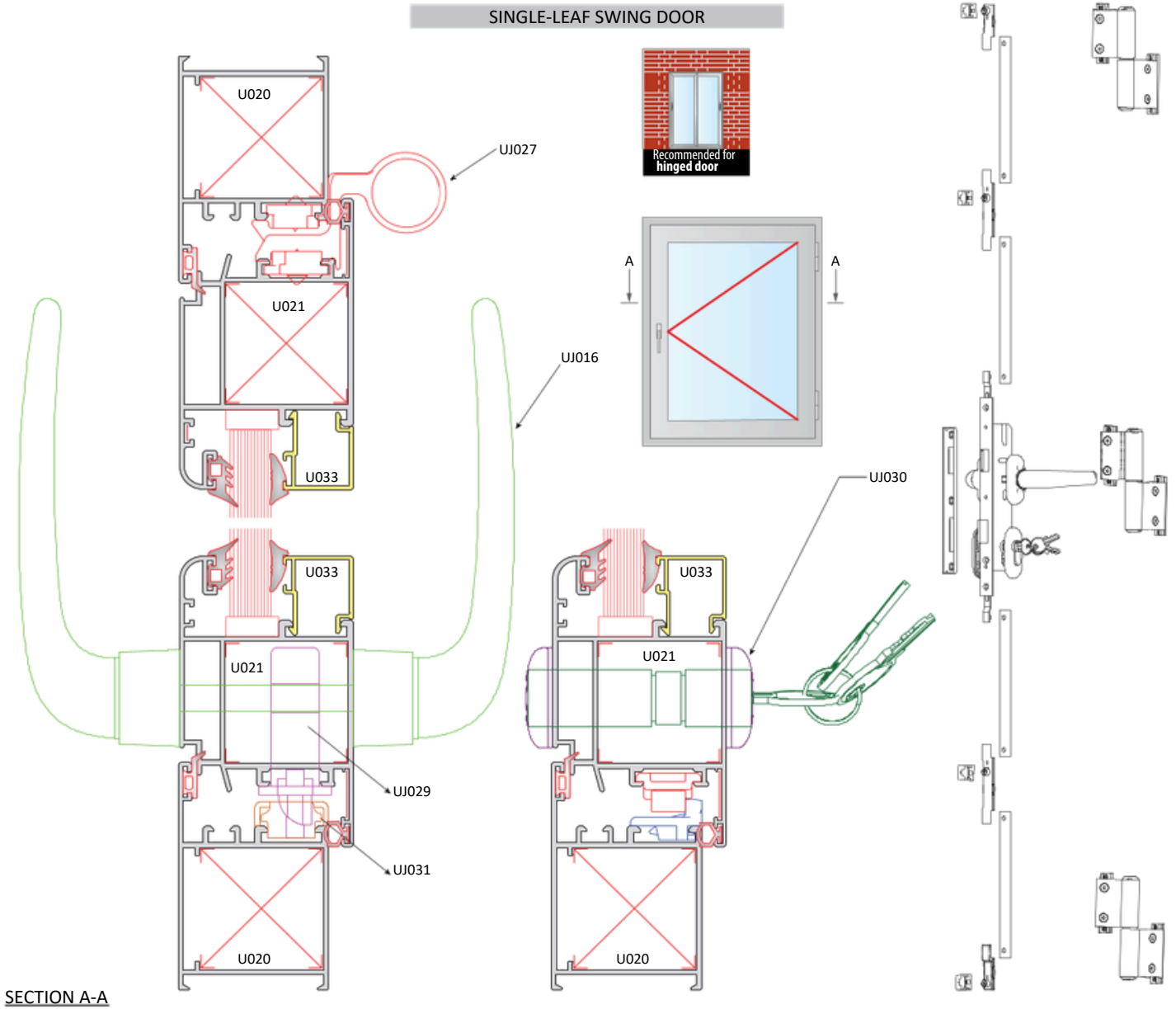
SINGLE-LEAF SWING DOOR WITH FIXED SIDE PANEL



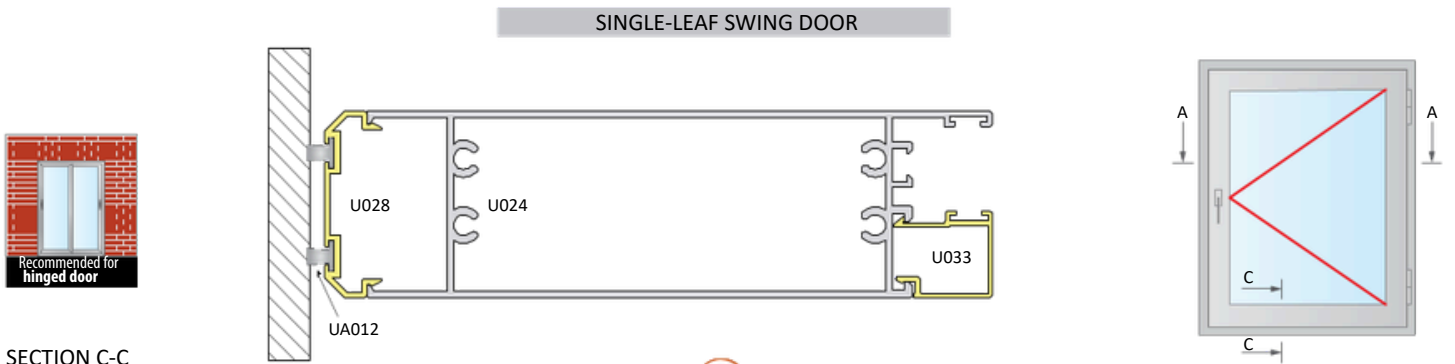
SECTION A-A

45mm folding series sections

Section A-A Views

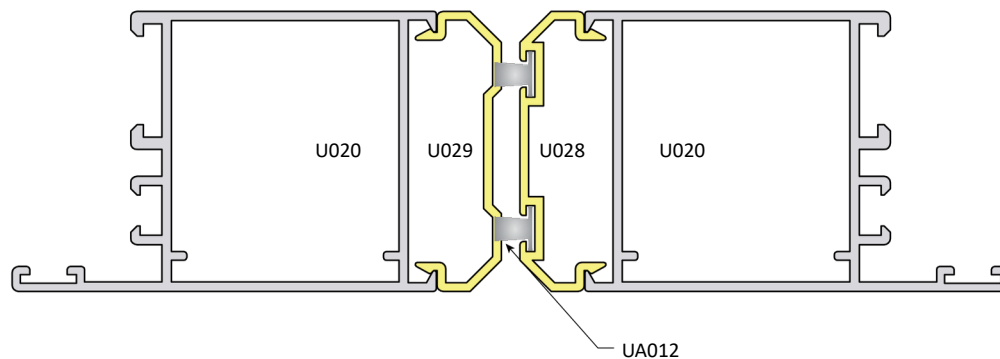


Section C-C Views

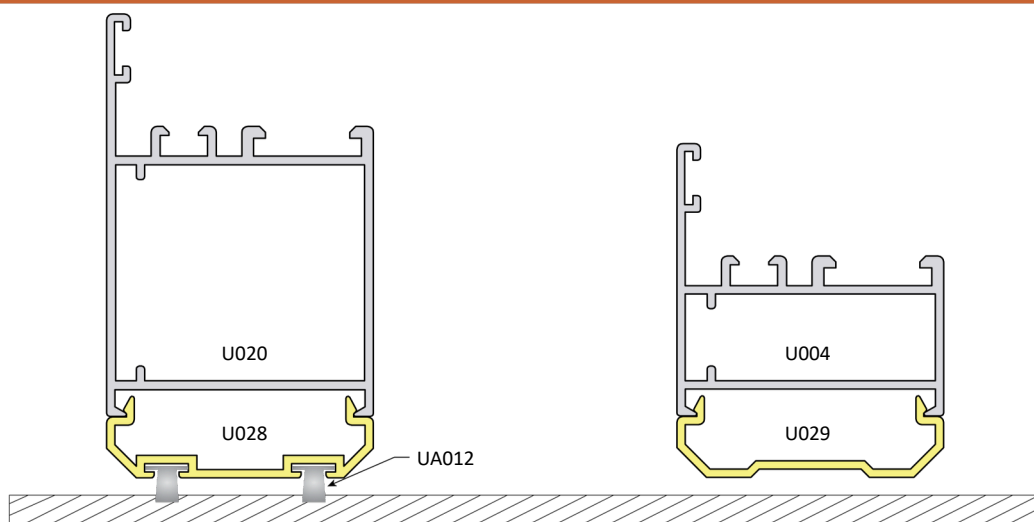


45mm folding series sections

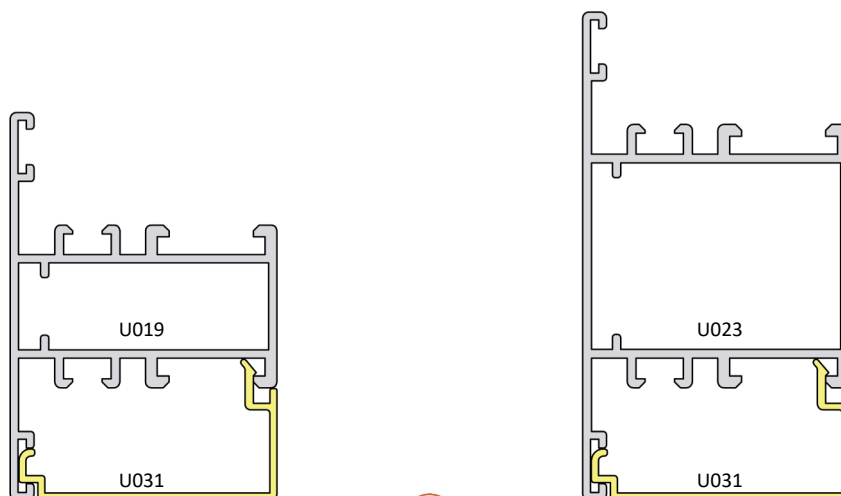
Frame cover sections - Swing door - Automatic door



Frame cap sections - frame trim

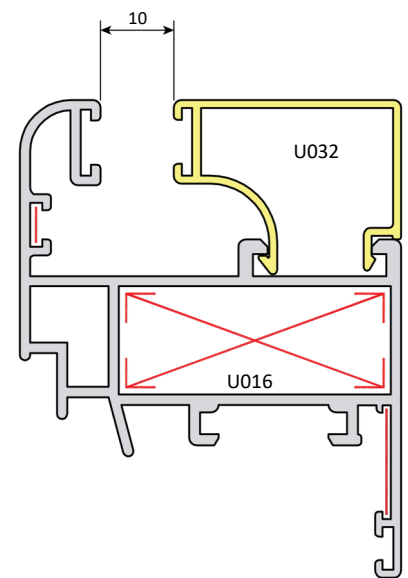
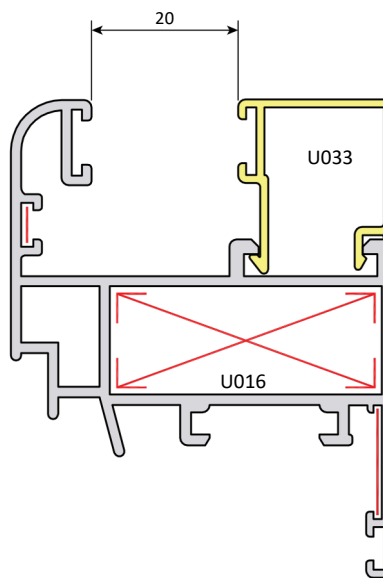
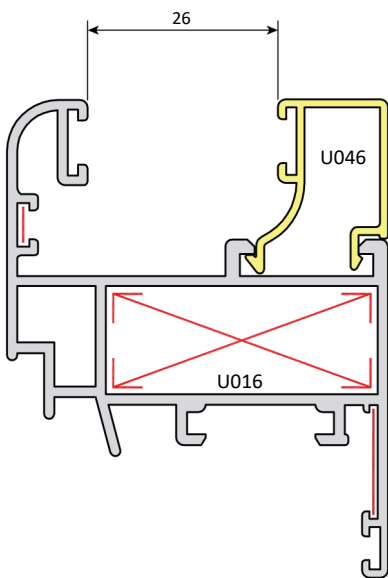
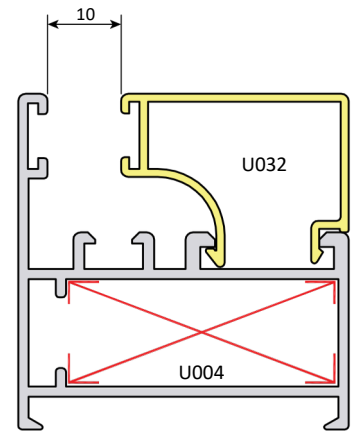
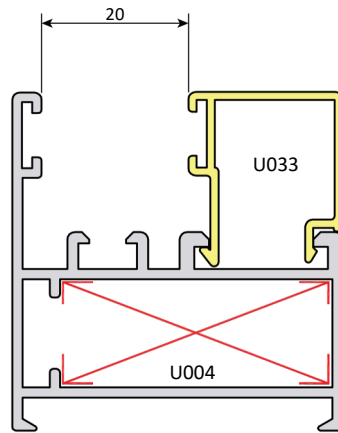
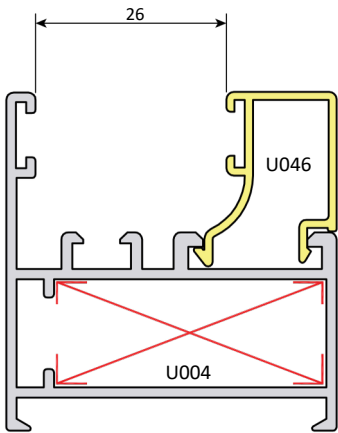


Crossbeam closure sections



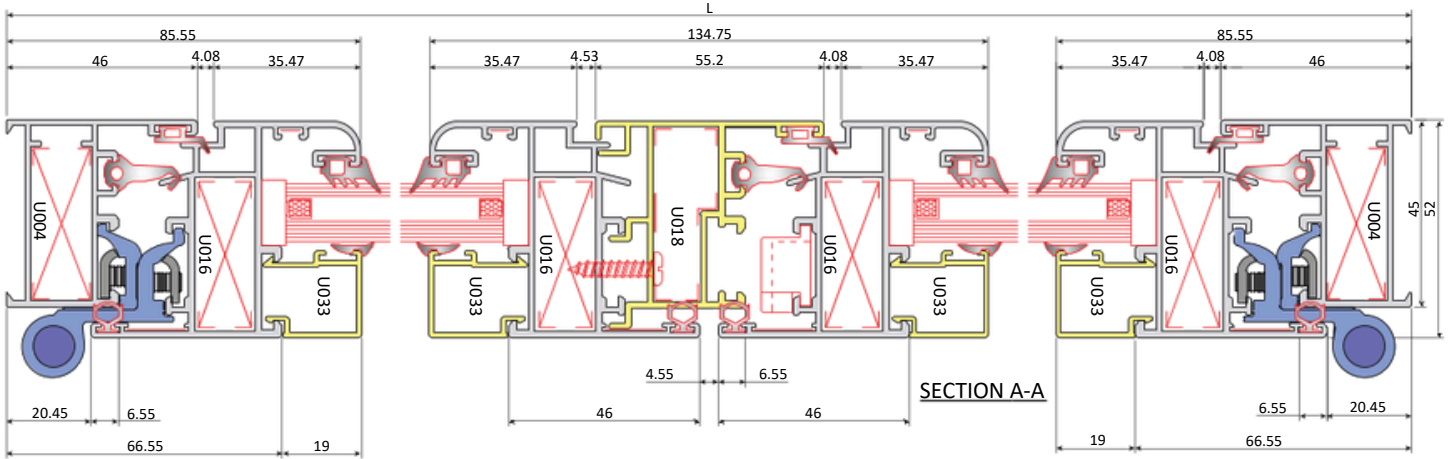
45mm folding series sections

Sections of straight reeds

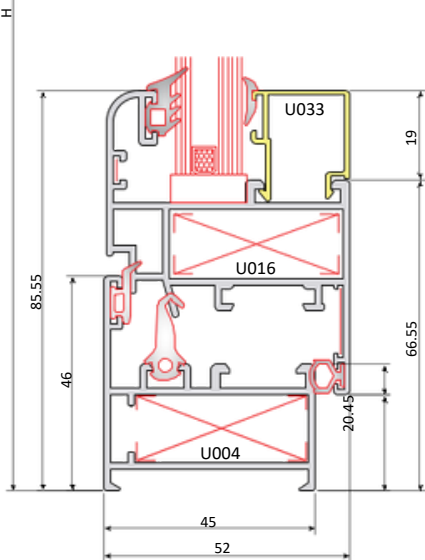
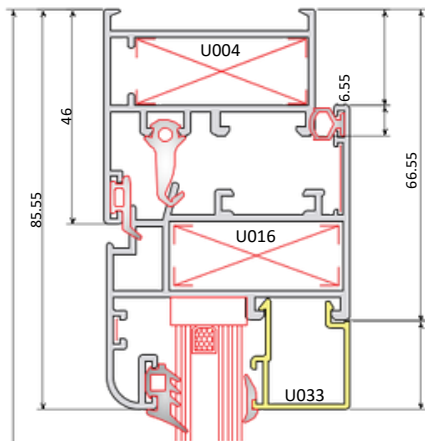
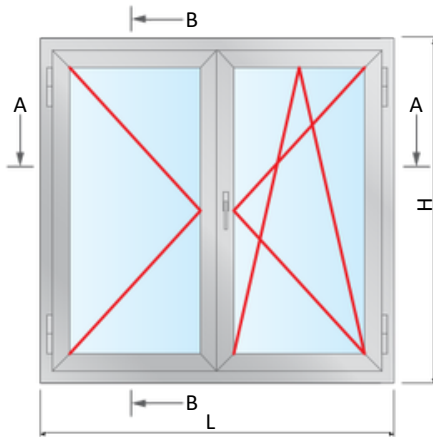


Folding Series Cutting Boards 45 mm

Cutting measurements (2-leaf casement window)



TWO-PANEL HINGED WINDOW

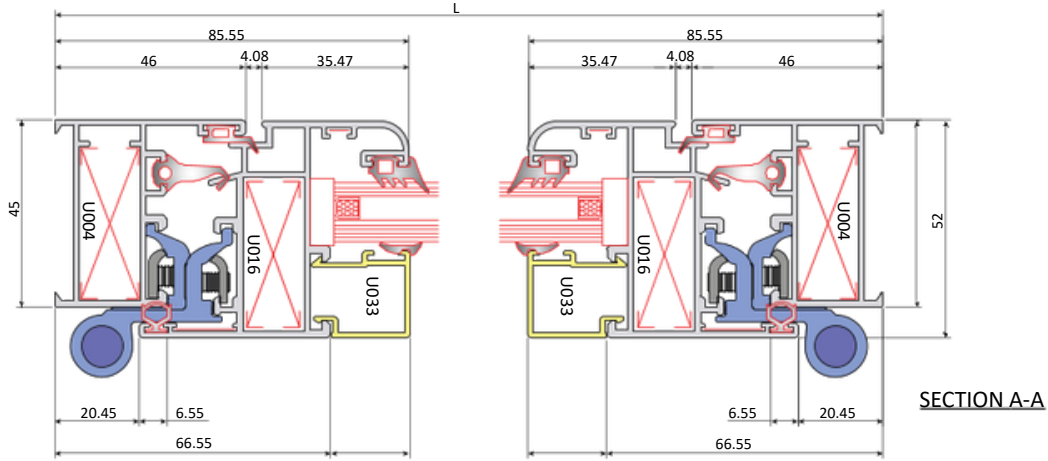


SECTION B-B

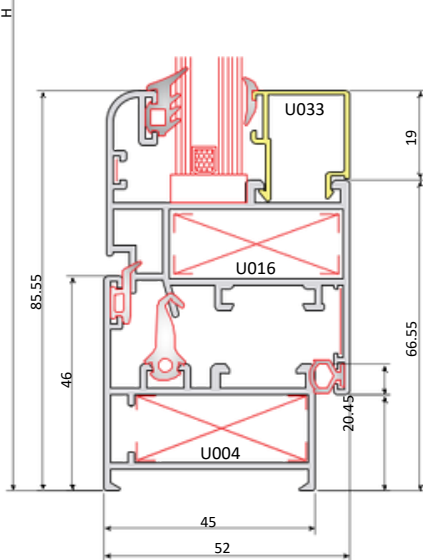
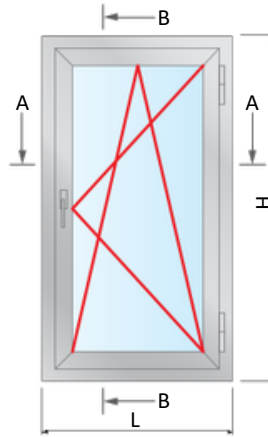
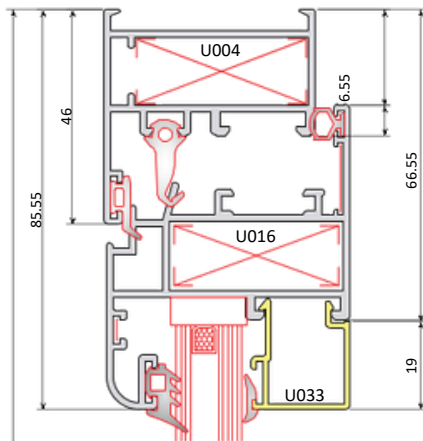
HINGED SERIES 45 mm Cut-out dimensions (2-leaf window)			H = frame height / L = frame width Theoretical cutting measures, checks before cutting in series	
SKETCH	REF.	DESCRIPTION	CUTTING M. (mm)	UNITS AND CUT TYPE
	U004	FRAME	H	2 UNITS
			L	2 UNITS
	U016	POINT	H - 40.9	4 UNITS
			(L - 45.5) / 2	4 UNITS
	U018	INVESTOR	H - 106	1 UNIT
---	---	GLASS (8mm SHIELD)	H - 139 (L - 242) / 2	GLASS 2 UNITS

Folding Series Cutting Boards 45 mm

Cutting measurements (1-leaf casement window)



SINGLE-PANEL HINGED WINDOW

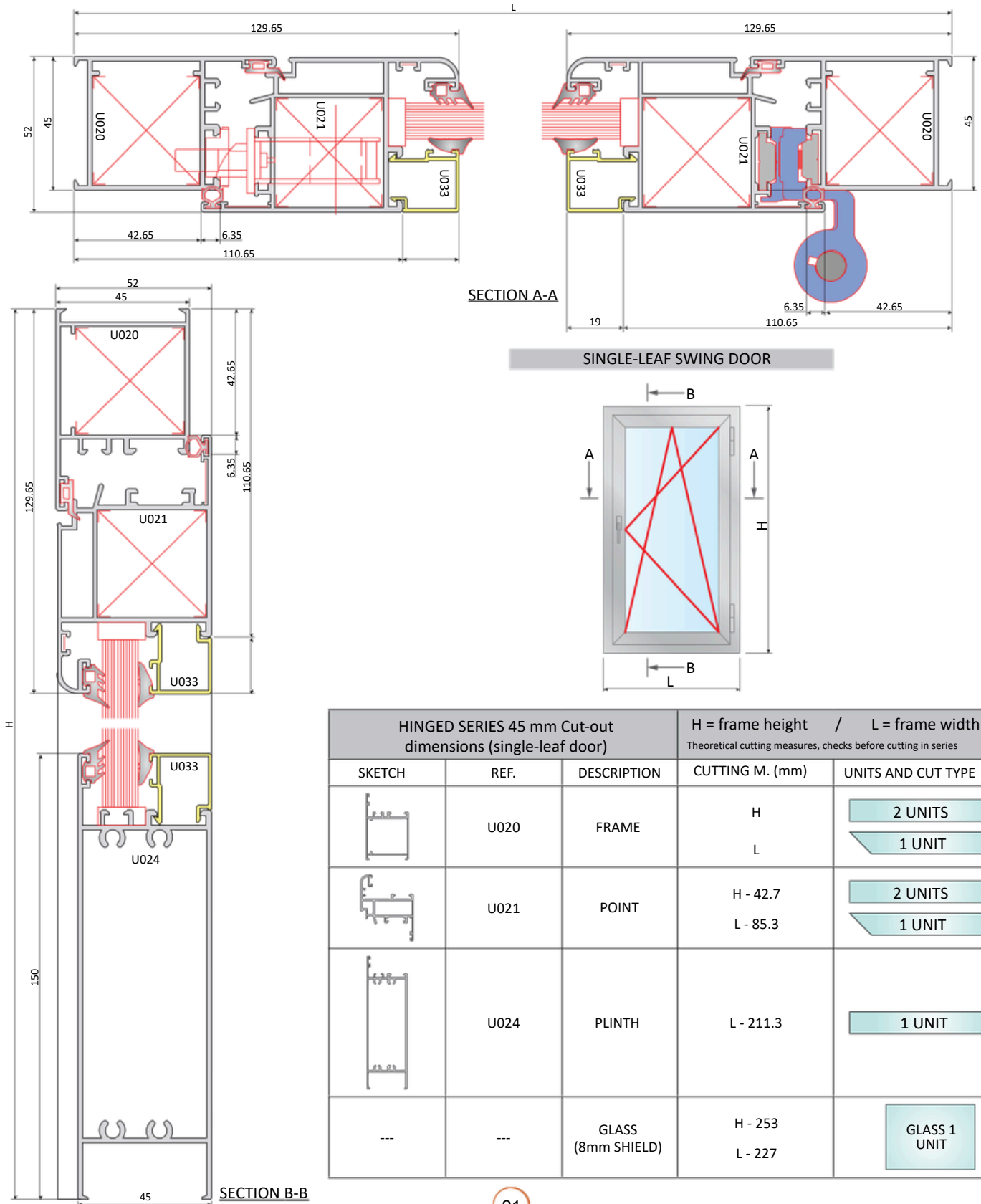


SECTION B-B

HINGED SERIES 45 mm Cut-out dimensions (single-leaf window)			H = frame height / L = frame width Theoretical cutting measures, checks before cutting in series	
SKETCH	REF.	DESCRIPTION	CUTTING M. (mm)	UNITS AND CUT TYPE
	U004	FRAME	H	2 UNITS
			L	2 UNITS
	U016	POINT	H - 40.9	2 UNITS
			L - 40.9	2 UNITS
---	---	GLASS (8mm SHIELD)	H - 139 L - 139	GLASS 1 UNIT

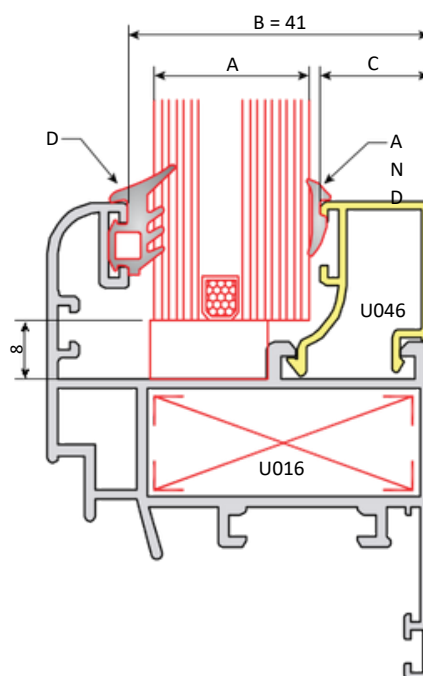
Folding Series Cutting Boards 45 mm

Cutting measurements (1-leaf casement door)



45mm Tilt and Turn Glazing Panels

Glazing measurements

STRAIGHT JOINTS

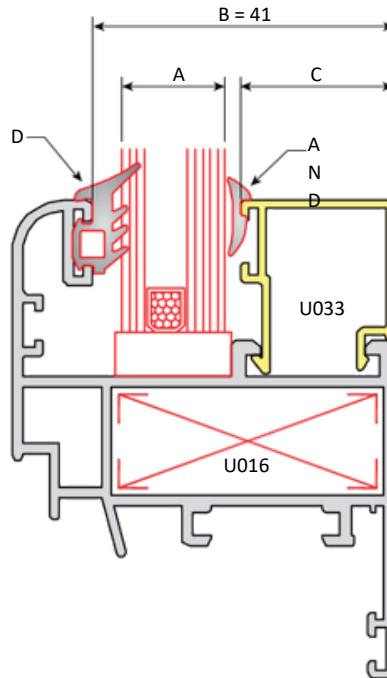
GLAZING TABLE FOR HINGED SERIES 45 mm - 15 mm JOINTS SKETCHES AND TABLES VALID FOR PROFILES: U004, U005, U006, U016, U017, U019, U020, U021, U022, U023, U024, U044.

(A)	(B)	JUNQUILLO (C)		(D)	(AND)
GLASS	TOTAL GAP	CODE	BROAD	EXTERNAL SEAL	INNER SEAL
24 mm (*)	41 mm	U046 / U047 / U048	15 mm	UI003 (2mm)	Silicon (0 mm)
22 mm (*)	41 mm	U046 / U047 / U048	15 mm	UI003 (2mm)	UI003 (2mm)
21 mm (*)	41 mm	U046 / U047 / U048	15 mm	UI004 (4 mm)	UI005 (2mm)
19 mm (*)	41 mm	U046 / U047 / U048	15 mm	UI004 (4 mm)	UI006 (3 mm)
18 mm	41 mm	U046 / U047 / U048	15 mm	UI004 (4 mm)	UI007 (4 mm)
17 mm	41 mm	U046 / U047 / U048	15 mm	UI004 (4 mm)	UI008 (5 mm)
16 mm	41 mm	U046 / U047 / U048	15 mm	UI004 (4 mm)	UI009 (6 mm)

(*) - Minimum shim: 8 mm for jumpers U046 and U047, 10 mm for jumper U0

45mm Tilt and Turn Glazing Panels

Glazing measurements



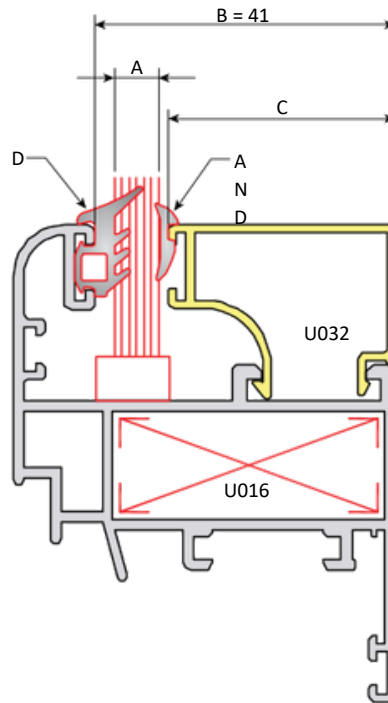
STRAIGHT JOINTS

GLAZING TABLE FOR HINGED SERIES 45 mm - 21 mm JOINTS SKETCHES AND TABLES VALID FOR PROFILES: U004, U005, U006, U016, U017, U019, U020, U021, U022, U023, U024, U044.

(A)	(B)	JUNQUILLO (C)		(D)	(AND)
GLASS	TOTAL GAP	CODE	BROAD	EXTERNAL SEAL	INNER SEAL
18 mm	41 mm	U033 / U035 / U037	21 mm	UI003 (2mm)	Silicon (0 mm)
16 mm	41 mm	U033 / U035 / U037	21 mm	UI003 (2mm)	UI003 (2mm)
14 mm	41 mm	U033 / U035 / U037	21 mm	UI004 (4 mm)	UI005 (2mm)
13 mm	41 mm	U033 / U035 / U037	21 mm	UI004 (4 mm)	UI006 (3 mm)
12 mm	41 mm	U033 / U035 / U037	21 mm	UI004 (4 mm)	UI007 (4 mm)
11 mm	41 mm	U033 / U035 / U037	21 mm	UI004 (4 mm)	UI008 (5 mm)
10 mm	41 mm	U033 / U035 / U037	21 mm	UI004 (4 mm)	UI009 (6 mm)

45mm Tilt and Turn Glazing Panels

Glazing measurements



STRAIGHT JOINTS

GLAZING TABLE FOR HINGED SERIES 45 mm - 31 mm JOINTS SKETCHES AND TABLES VALID FOR PROFILES: U004, U005, U006, U016, U017, U019, U020, U021, U022, U023, U024, U044.

(A)	(B)	JUNQUILLO (C)		(D)	(AND)
GLASS	TOTAL GAP	CODE	BROAD	EXTERNAL SEAL	INNER SEAL
8 mm	41 mm	U032/ U034 / U036	31 mm	UI003 (2mm)	Silicon (0 mm)
6 mm	41 mm	U032/ U034 / U036	31 mm	UI003 (2mm)	UI003 (2mm)
4 mm	41 mm	U032/ U034 / U036	31 mm	UI004 (4 mm)	UI005 (2mm)
3 mm	41 mm	U032/ U034 / U036	31 mm	UI004 (4 mm)	UI006 (3 mm)
2 mm	41 mm	U032/ U034 / U036	31 mm	UI004 (4 mm)	UI007 (4 mm)
1 mm	41 mm	U032/ U034 / U036	31 mm	UI004 (4 mm)	UI008 (5 mm)

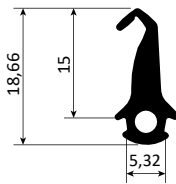
Hardware for 45mm Folding Series Profile System

EPDM rubber plans

EPDM center gasket



EPDM
HIGH QUALITY

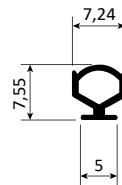


Code
UI001

Hinged bubble seal



EPDM
HIGH QUALITY

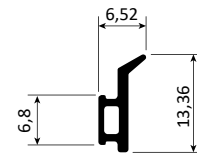


Code
UI002

EPDM clipped outer frame gasket



EPDM
HIGH QUALITY

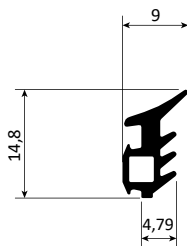


Code
UI003

4 mm EPDM exterior glazing gasket



EPDM
HIGH QUALITY

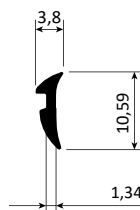


Code
UI004

2 mm EPDM glazing gasket



EPDM
HIGH QUALITY

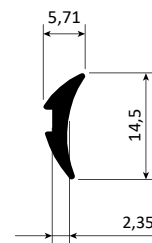


Code
UI005

3 mm EPDM glazing gasket



EPDM
HIGH QUALITY

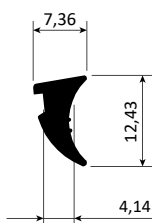


Code
UI006

4 mm EPDM glazing gasket



EPDM
HIGH QUALITY

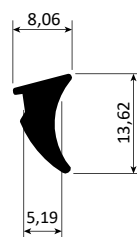


Code
UI007

5 mm EPDM glazing gasket



EPDM
HIGH QUALITY

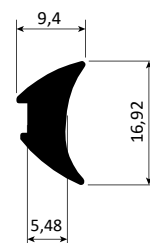


Code
UI008

6 mm EPDM glazing gasket



EPDM
HIGH QUALITY



Code
UI009

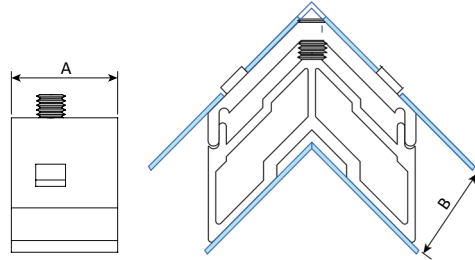
Hardware for 45mm Folding Series Profile System

Brackets - Bearings - Handles - Latches

37 x 16 mm fixed pin bracket



Code
UA001



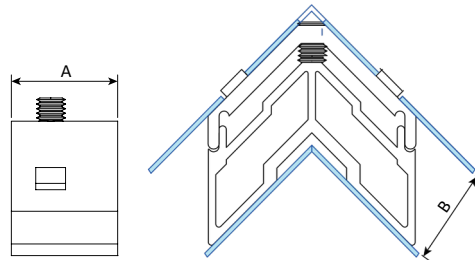
A= 37 mm
B= 16 mm

- Extruded aluminum bracket with high corrosion resistance.
- Greater rigidity and alignment at the miters since it works by expansion.
- It works on frame profiles U004, U005, U016, U017.

37 x 36 mm fixed pin bracket



Code
UA068



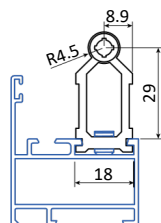
A= 36.55 mm
B= 37 mm

- Extruded aluminum bracket with high corrosion resistance.
- Greater rigidity and alignment at the miters since it works by expansion.
- It works on frame profiles, hinged door leaves, and fixed glass. Profiles U020, U021, U022.

Window crossbar joint 14.7 x 29 mm

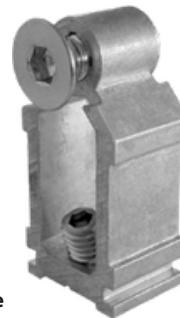


Code
UA064

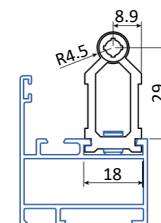


- Extruded aluminum bracket with high corrosion resistance.
- Greater rigidity, alignment, and faster installation. For fixed glass crossbars.
- It works on U019 crossbeam profiles.

Window crossbar joint 31.5 x 29 mm



Code
UA067



- Extruded aluminum bracket with high corrosion resistance.
- Greater rigidity, alignment, and faster installation. For fixed glass crossbars.
- It works on U023 crossbeam profiles.

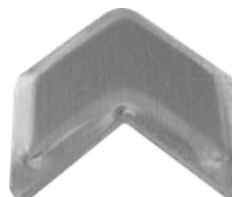
5.8 x 1.5 mm Alignment Square



Code
UA065

- Stainless steel alignment square.
- Increases rigidity and precision in the joint.
- Works on U016, U017, U021, U022.

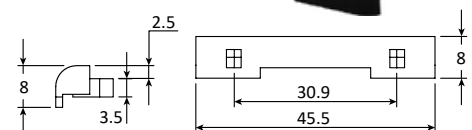
14.5 x 1.5 mm Alignment Square



Code
UA066

- Stainless steel alignment square.
- Increases rigidity and precision in the joint.
- Works on U016, U017, U021, U022.

Fourth aguas



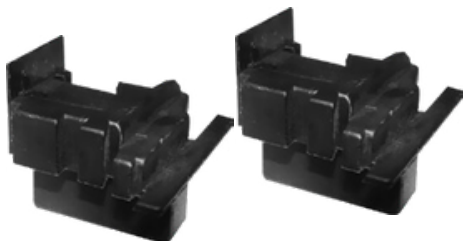
Code
UA015

- Black PVC piece with decorative function.
- It works with both sliding and fixed frames.

Hardware for 45mm Folding Series Profile System

Brackets - Bearings - Handles - Latches

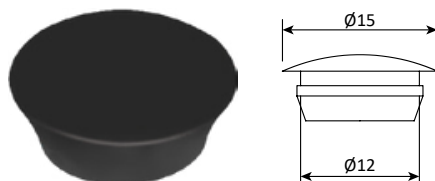
Reversing profile cover for hinged windows



Code
UA059

- Black PVC piece with decorative function
- It works on the top and bottom of the Inversor profile U018.
- They are sold in pairs.

12mm decorative stopper



Code
UA070

- Black PVC piece with decorative function.
- It works with both sliding and fixed frames.

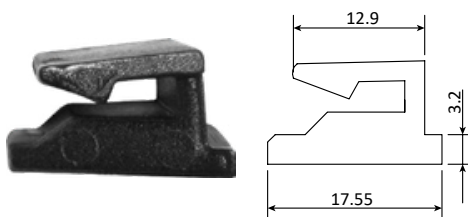
Drain valve



Code
UA014

- Black PVC piece with decorative function.
- The sliding frame works.

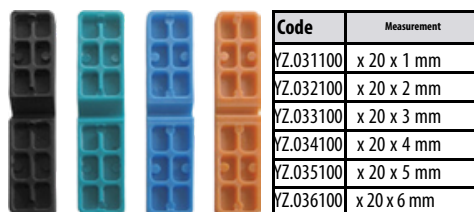
Staple for reed



Code
UA061

- Black PVC fitting for glazing bead.
- Used for glazing bead U036, U037, U048.

Plastic wedges (pack of 100)



- Made of sealant-resistant material. The special surface shape and solid base make it ideally suited for various purposes. The block design ensures proper positioning of the glass panes during installation.

- Each block has a load capacity of 300 kg.

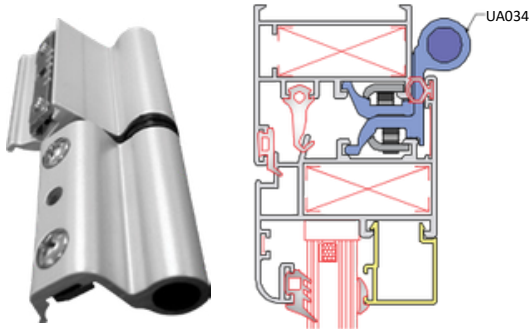
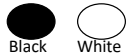
Hardware for 45mm Folding Series Profile System

Hinge system, projecting compasses, limiters and simple closures

European channel window hinge

KG
90

Available colors:



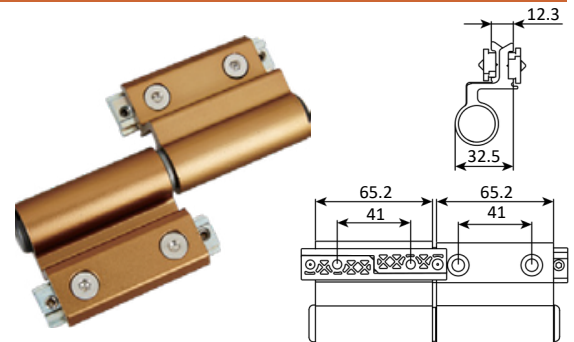
- Two-leaf hinge for European channel.
- Aluminum body with electro-painted finish.
- High resistance thanks to its shaft, pressure plates and screws.
- Made of stainless steel. Supports 90 kg per pair.

Code
UA034

European channel door hinge

KG
150

Available colors:

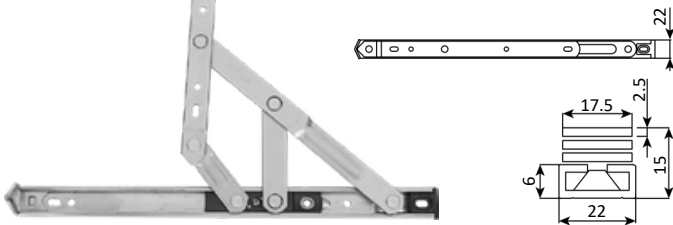


- Two-leaf hinge for European channel. Aluminum body with electro-painted finish.
- High resistance thanks to its shaft, pressure plates and screws.
- Made of stainless steel. Supports 150 kg per pair.

Code
UJ027

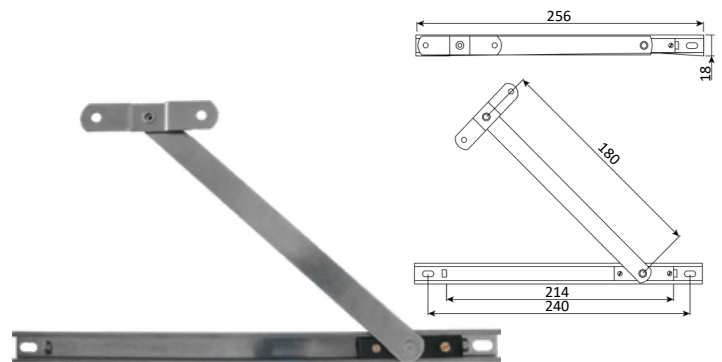
Projecting hinge for European channel

Code	Large	Max height	Weight	Opening
UJ032	254 mm	400 mm	33 kg	89°
UJ033	406.4 mm	750 mm	52 kg	89°
UJ034	558.8 mm	1100 mm	70 kg	89°



- Projecting hinge for Evolution Series windows.
- AISI 304 stainless steel body, 2.5 mm thick.
- Arrow-shaped end tip for easy installation.

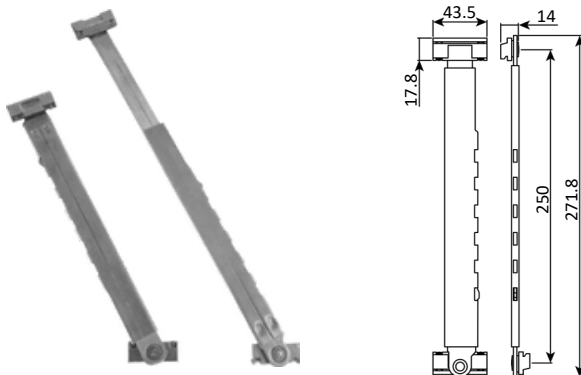
Opening limiting compass



- Evolution Series Window Limiter Compass.
- 430 series stainless steel body.
- It requires a piece of felted plate for installation.

Code
UA049

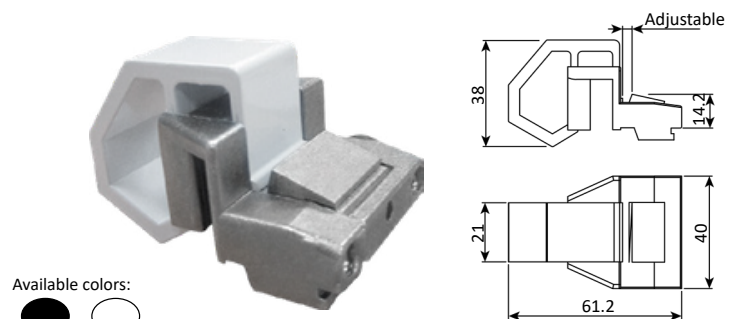
Telescopic window retainer



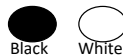
- Telescopic retainer for casement windows.
- Offers 5 retention positions.
- Easy attachment to the European channel using clamps.
- Made of 430 series stainless steel.

Code
UA050

European-style knockout closure



Available colors:



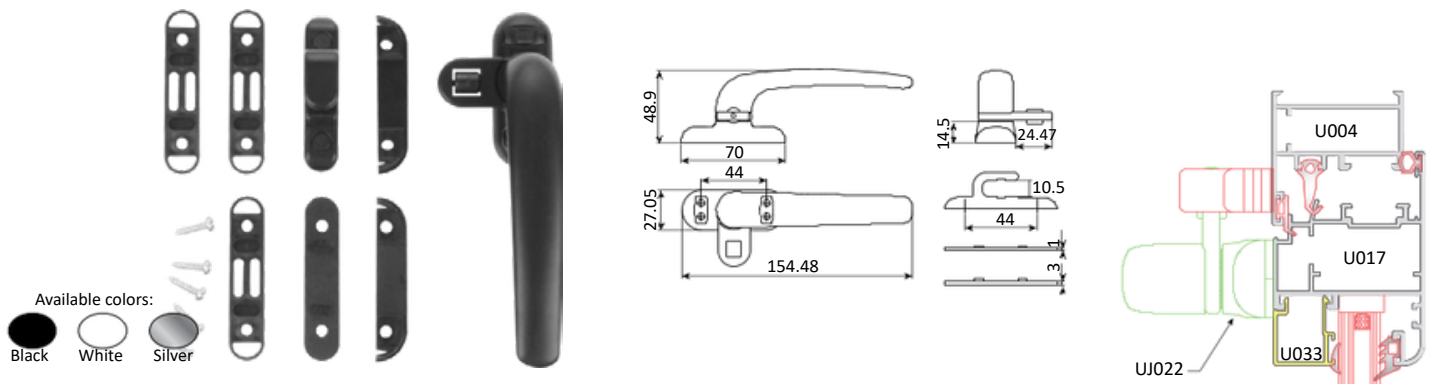
- Made of Zamak and aluminum, finished in white and black.
- Works for tilt and turn windows.
- Quick and efficient assembly and adjustment using a front bolt.
- Stainless steel. High security in the enclosure.

Code
UA048

Hardware for 45mm Folding Series Profile System

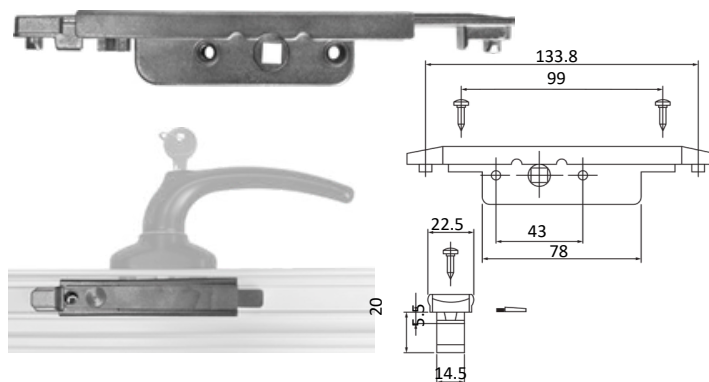
Hinge system, projecting compasses, limiters and simple closures

Pressure-mounted snap closure



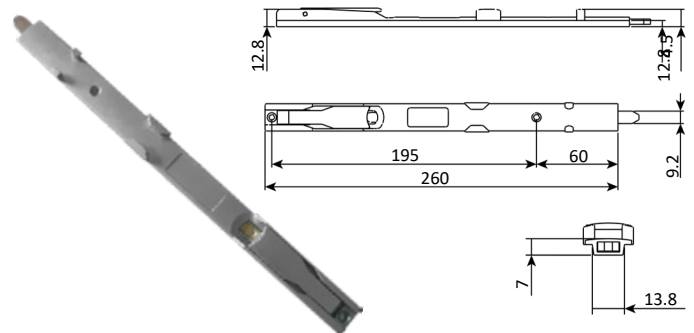
- Code UJ022**
- Made of Zamak and aluminum with a silver, white, and black finish. Universal lock that works with all window models and functions. Quick and easy surface-mounted installation.
 - Includes adjustment shims and installation screw.

Multipoint operator body



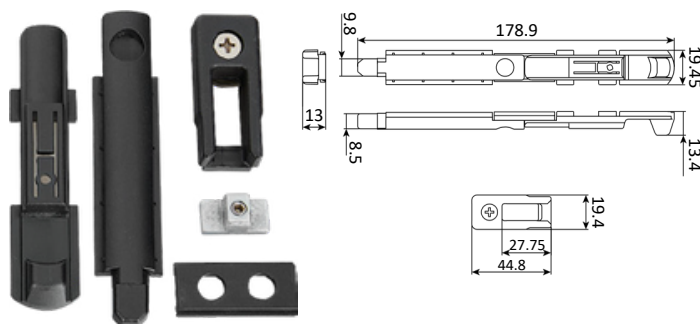
- Code UA084**
- Bidirectional function.
 - 20mm European channel, 8x8 grid.
 - Works with UA023 and UJ021 handles.

Closing the second leaf of the door or window



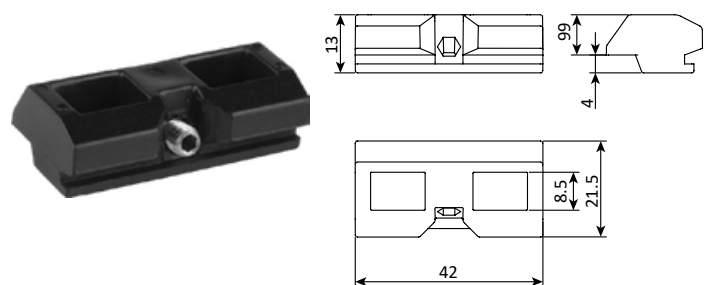
- Code UJ011**
- Made of Zamak and aluminum with a black finish.
 - Quick installation in European channel and fixing by pressure screw.
 - Hardened metal pin for added security.

Closing the second leaf of the door or window



- Code UJ012**
- Made of high-strength PVC with a black finish.
 - Hardened metal pin for added security.
 - Quick installation in European channel and fixing by pressure screw.

Second leaf closing receiver

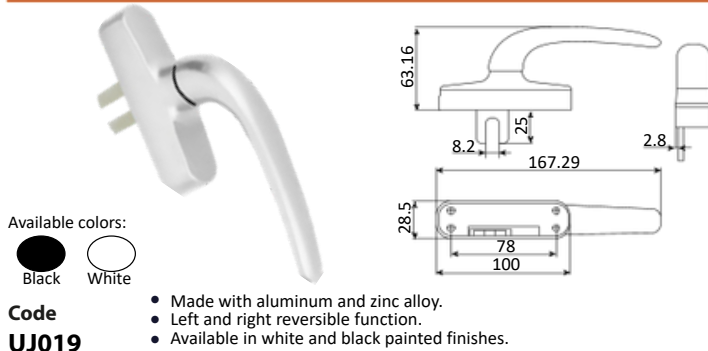


- Code UJ047**
- Made of high-strength PVC with a black finish.
 - Quick installation in European channel and fixing by pressure screw.

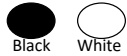
Hardware for 45mm Folding Series Profile System

SECUREASY® Closure PLUS A (internal opening)

SECUREASY® PLUS (multi-operator 8 x 24) handle



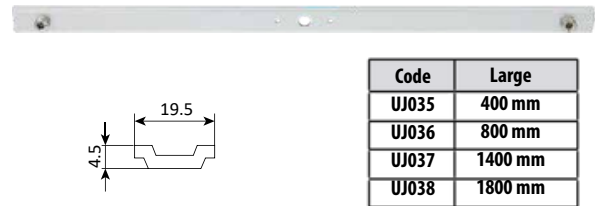
Available colors:



Code
UJ019

- Made with aluminum and zinc alloy.
- Left and right reversible function.
- Available in white and black painted finishes.

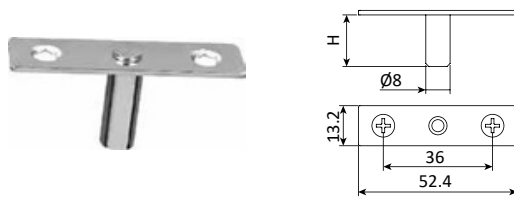
Drive shaft with locking bolt



Code	Large
UJ035	400 mm
UJ036	800 mm
UJ037	1400 mm
UJ038	1800 mm

- 19.5 mm anodized extruded aluminum.
- Reinforced, offset steel bolt.
- Includes holes for T-shaped transmission installation.
- Different lengths depending on the window dimensions.

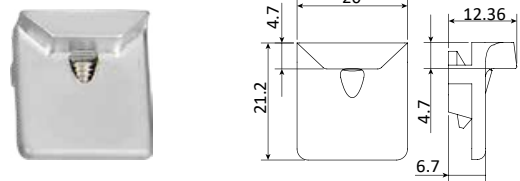
T-shaped transmission



Code
UJ048.1

- Reinforced zinc transmission with a silver finish.
- Includes installation screw.
- One T-shaped handle must be used for each Secureasy handle® PLUS.

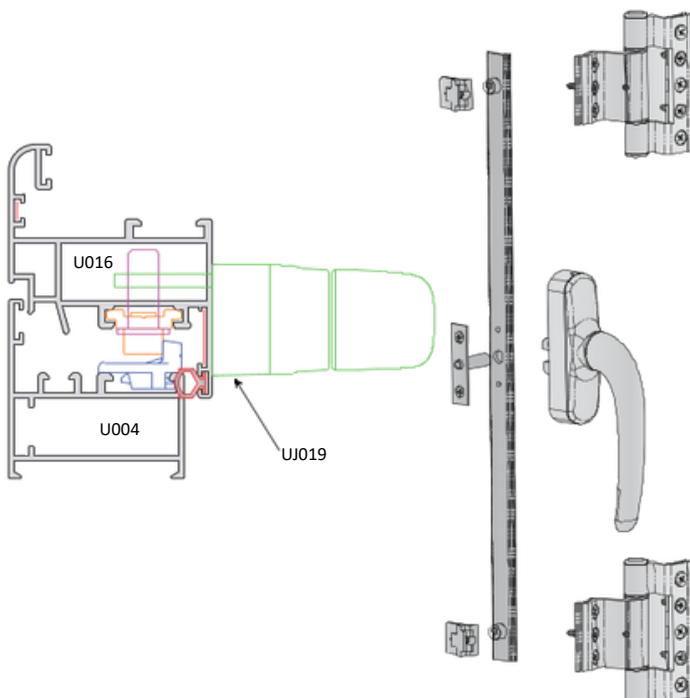
Locking bolt receiver



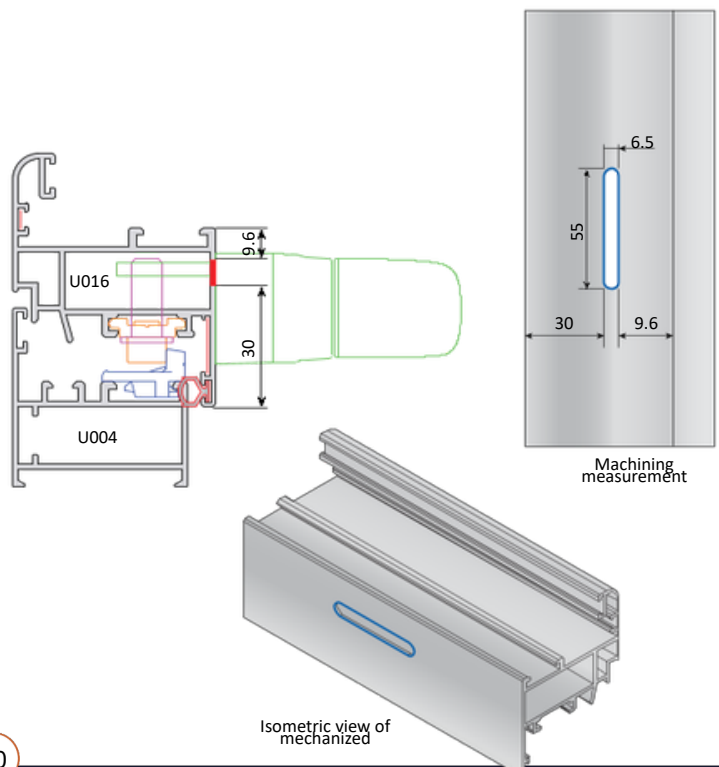
Code
UJ046

- Made of reinforced zinc with a silver finish.
- Quick and easy installation on the fixed frame using a quick-release clamp.
- One should be used for each locking bolt that the SECUREASY® PLUS A system has.

SECUREASY® Assembly PLUS A



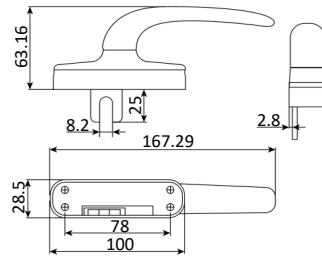
Machining of SECUREASY® PLUS A



Hardware for 45mm Folding Series Profile System

SECUREASY® Closure PLUS B (internal opening)

SECUREASY® PLUS (multi-operator 8 x 24) handle



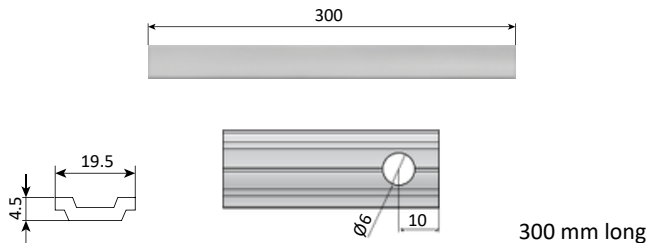
Available colors:



Code
UJ019

- Made from aluminum and zinc alloy.
- Reversible left and right function.
- Available in white and black painted finishes.

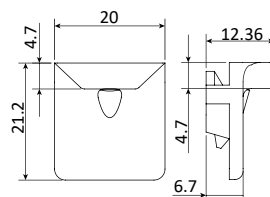
Drive shaft 19.5 x 300 mm



Code
UJ044

- It functions as a transmission bar to connect the SECUREASY® PLUS handle with locking bolts.
- Made of silver anodized extruded aluminum.
- Includes two holes at the ends for connection of SECUREASY® PLUS B system.

Locking bolt receiver

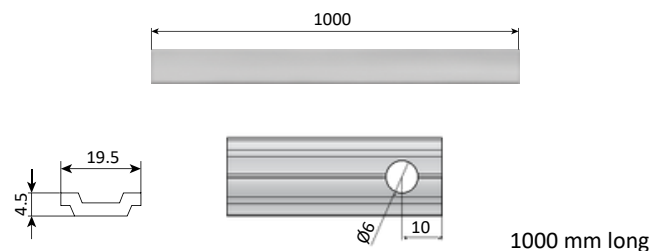


Code
UJ046

- Made of reinforced zinc with a silver finish.
- Fast and easy installation on the fixed frame using prisoner of quick fit.
- One must be used for each locking bolt that the SECUREASY® PLUS B system.



Drive shaft 19.5 x 1000 mm



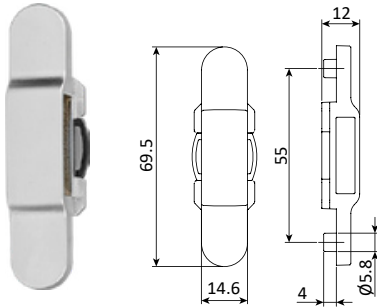
Code
UJ045

- It functions as a transmission bar to connect the SECUREASY® PLUS handle with locking bolts.
- Made of silver anodized extruded aluminum.
- Includes two holes at the ends for connection sistema SECUREASY® PLUS B.

Hardware for 45mm Folding Series Profile System

SECUREASY® Closure PLUS B (internal opening)

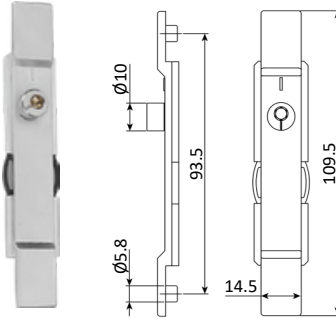
Intermediate connector - locking handle



Code
UJ051

- Made of reinforced zinc with a silver finish.
- Quick and easy installation using a pressure ring that fits into the European channel.
- Connects to the SECUREASY® PLUS handle nail - drive bar.

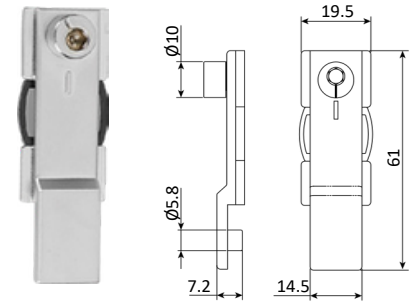
Intermediate connector - locking bolt



Code
UJ050

- Made of reinforced zinc with a silver finish.
- Quick and easy installation using a pressure ring that fits into the European channel.
- Connects to the drive shaft on both sides with an additional locking bolt.

End connector - locking bolt

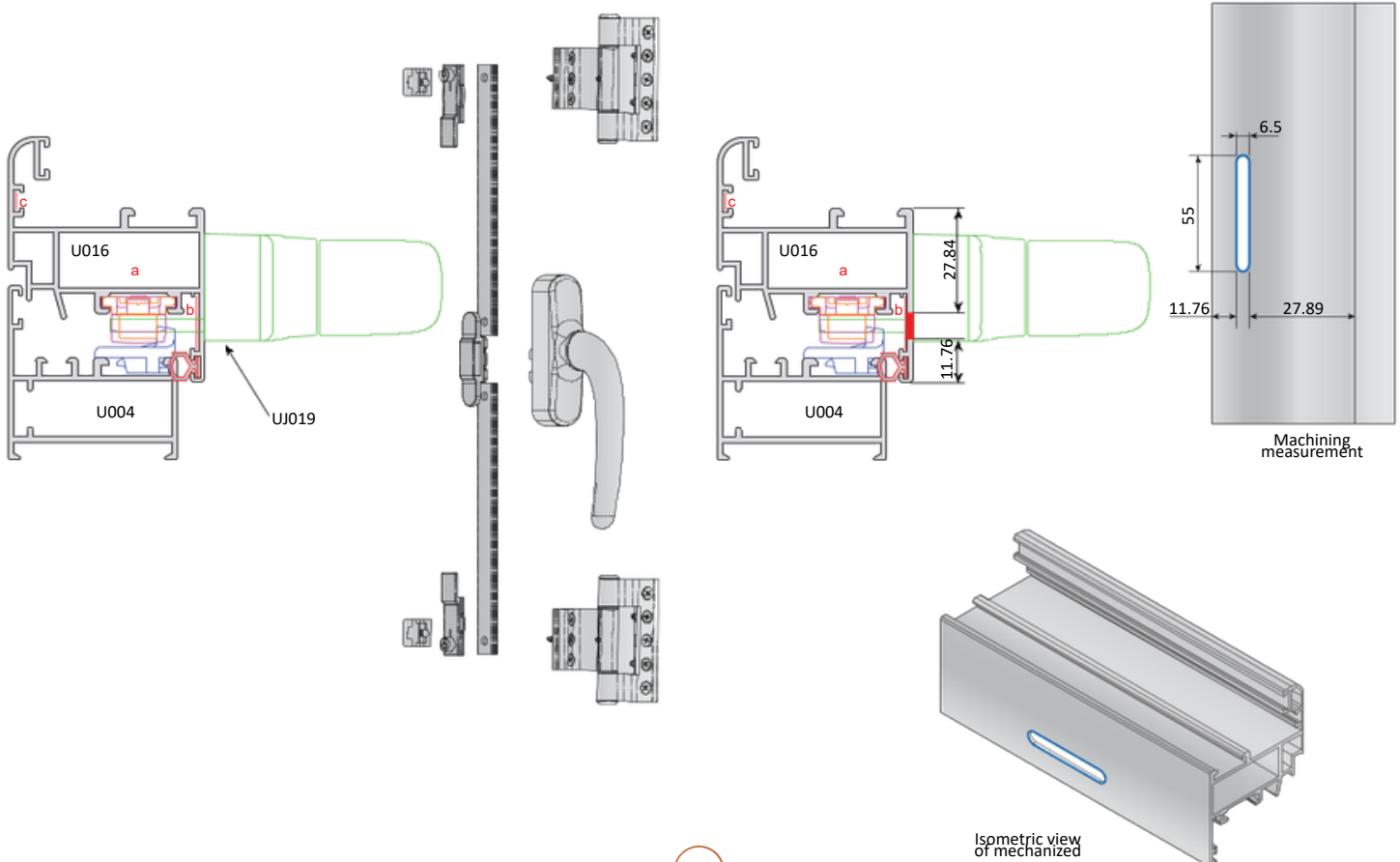


Code
UJ049

- Made of reinforced zinc with a silver finish.
- Quick and easy installation using a pressure ring that fits into the European channel.
- The drive shaft is secured with a locking bolt.

SECUREASY® Assembly PLUS B

Machining of SECUREASY® PLUS B





Hardware for 45mm Folding Series Profile System

SECUREASY® Closure PLUS A (external opening)

SECUREASY® PLUS (multi-operator 8 x 24) handle



Available colors:
 Black
 White

Code
UJ019

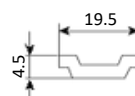
- Made of aluminum and zinc alloy.
- Left and right reversible function.
- Must be installed with the UJ020 bracket for casement windows.

Purchase the 40mm nail UJ020 separately



Code
UJ020 Sold separately.

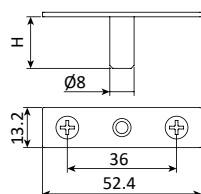
Drive shaft with locking bolt



Code	Large
UJ035	400 mm
UJ036	800 mm
UJ037	1400 mm
UJ038	1800 mm

- 19.5 mm anodized extruded aluminum.
- Reinforced, offset steel bolt.
- Includes holes for T-shaped transmission installation.
- Different lengths depending on the window dimensions.

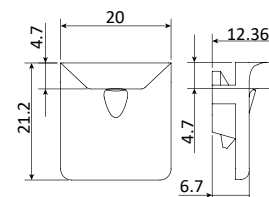
T-shaped transmission



Code
UJ048

- Reinforced zinc transmission with a silver finish.
- Includes installation screw.
- One T-shaped handle must be used for each Secureasy handle® PLUS A.

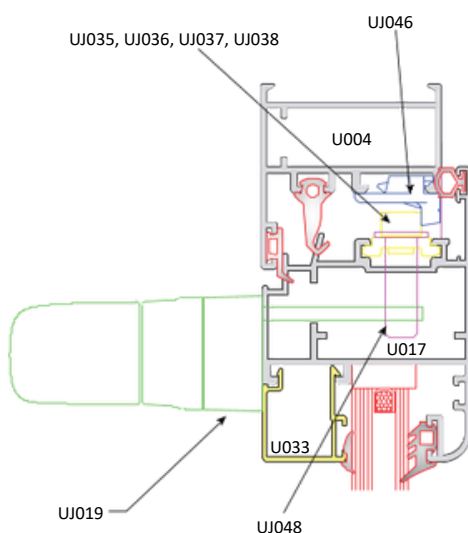
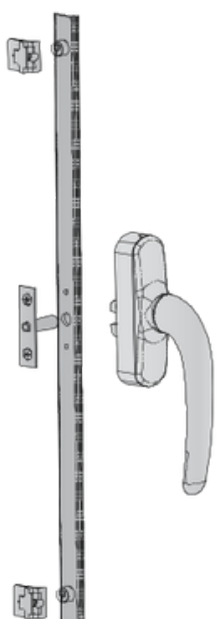
Locking bolt receiver



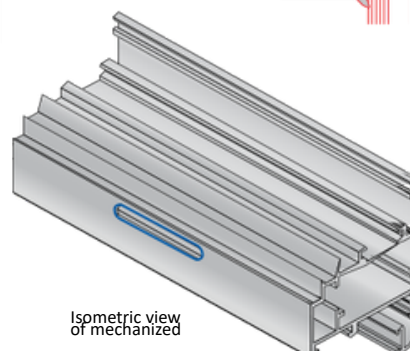
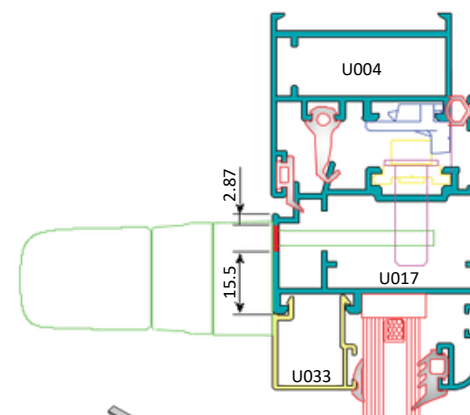
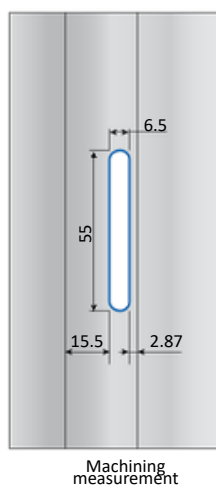
Code
UJ046

- Made of reinforced zinc with a silver finish.
- Quick and easy installation on the fixed frame using a quick-release clamp.
- One should be used for each locking bolt that the SECUREASY® PLUS A has.

SECUREASY® Assembly PLUS A



Machining of SECUREASY® PLUS A



Isometric view of mechanized

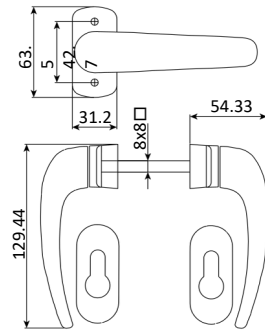
Hardware for 45mm Folding Series Profile System

SECUREASY® Door Lock PLUS for aluminum door

Neo handle for aluminum door



Available colors:

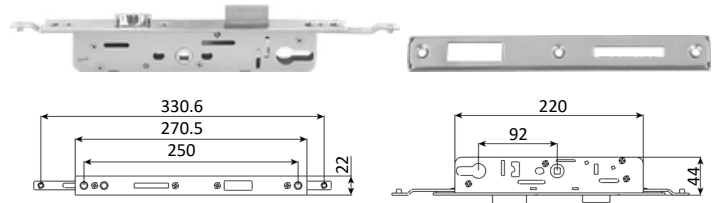


130 cm long

- Zamak and aluminum injection-molded handle.
- Includes 8x8 grid and decorative shield for the cylinder.

Code
UJ015

Aluminum door security lock body

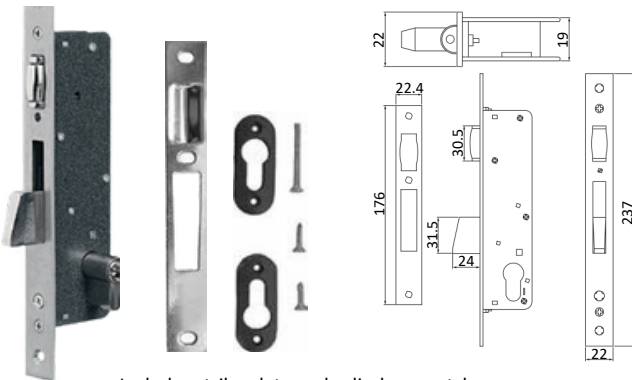


LIFESPAN OF 80 MILLION CYCLES

- Metal body lock with pins and bolts stainless steel.
- Accessories.
- Distance between cylinder and grid is 92 mm and back.
- Includes satin stainless steel receiver for the lock and multipoint option.

Code
UJ029

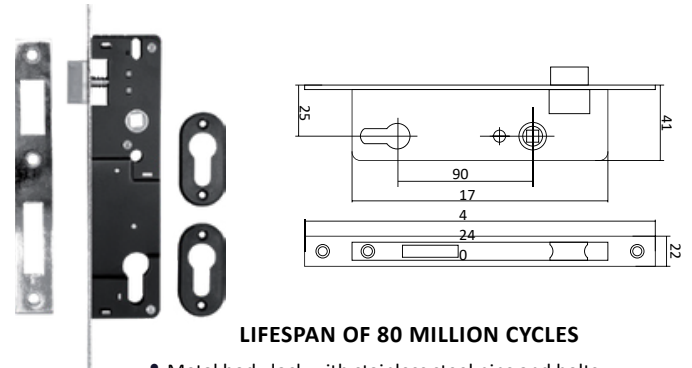
Roller and lever lock



- Includes strike plate and cylinder escutcheon.
- Single-point locking security lock for metalwork with cylinder entry.
- Stainless steel faceplate and strike plate.
- Ideal for commercial premises doors.

Code
UA081

Aluminum door lock body

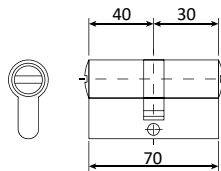


LIFESPAN OF 80 MILLION CYCLES

- Metal body lock with stainless steel pins and bolts.
- Distance between cylinder and spindle is 92 mm and backset is 29 mm.
- The face plate is finished in stainless steel.
- Includes satin stainless steel receiver for the lock.

Code
78480

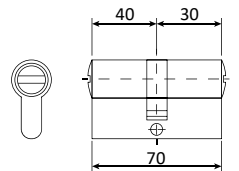
European cylinder for aluminum door



- Bronze body cylinder.
- 70 mm diameter, offset 40-30.
- Includes 3 bronze keys.

Code
UJ030

European cylinder for aluminum door with knob



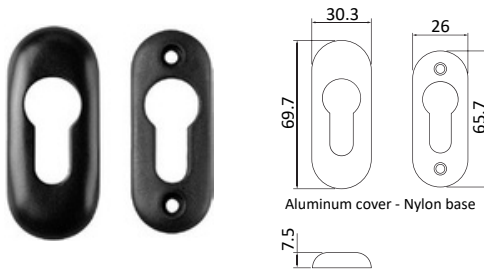
- Bronze body cylinder.
- 70 mm diameter, offset 40-30.
- Includes 3 bronze keys.

Code
UA076

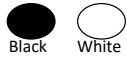
Hardware for 45mm Folding Series Profile System

SECUREASY® Door Lock PLUS for aluminum door

European cylinder trim



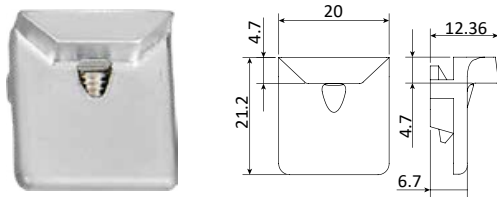
Available colors:



- P-shaped escutcheon
- Aluminum cover clipped onto a nylon base.
- Escutcheon - Keyhole for lock cylinder.

Code
UA082

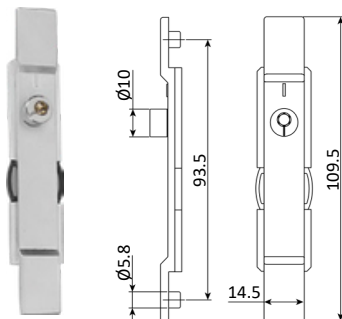
Locking bolt receiver



- Made of reinforced zinc with a silver finish.
- Quick and easy installation on the fixed frame using a quick-release clamp.
- One should be used for each locking bolt that the SECUREASY® PLUS has.

Code
UJ046

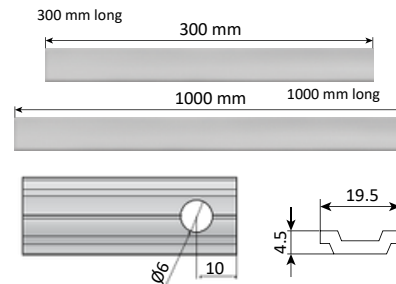
Intermediate connector - locking bolt



- Made of reinforced zinc with a silver finish.
- Quick and easy installation using a pressure ring.
- Connects to the drive shaft on both sides with additional locking bolt.

Code
UJ050

Drive shaft



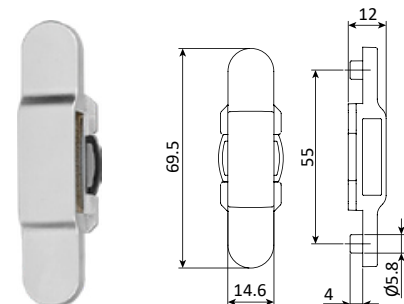
Code
UJ044

- It functions as a transmission bar to connect the SECUREASY® PLUS handle with locking bolts.

Code
UJ045

- Made of silver anodized extruded aluminum.
- Includes two holes at the ends for connection of SECUREASY® PLUS B system.

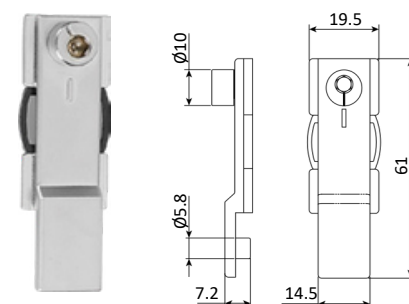
Intermediate connector - locking handle



- Made of reinforced zinc with a silver finish.
- Quick and easy installation using a pressure ring.
- Connects to the SECUREASY® PLUS handle nail - drive shaft.

Code
UJ051

End connector - locking bolt



- Made of reinforced zinc with a silver finish.
- Quick and easy installation using a pressure ring.
- The transmission bar ends with a locking bolt.

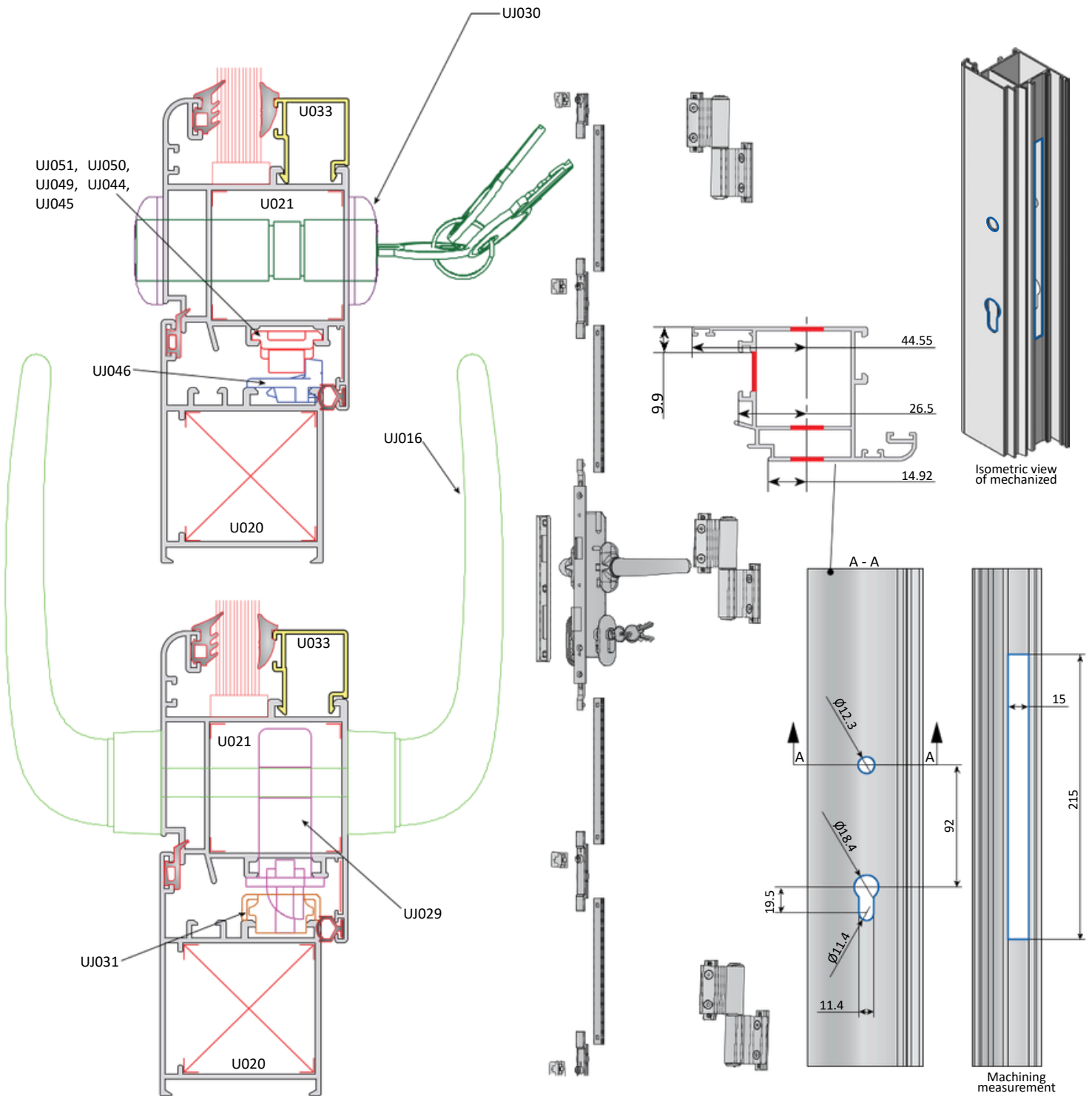
Code
UJ049

Hardware for 45mm Folding Series Profile System

SECUREASY® Closure PLUS for aluminum door

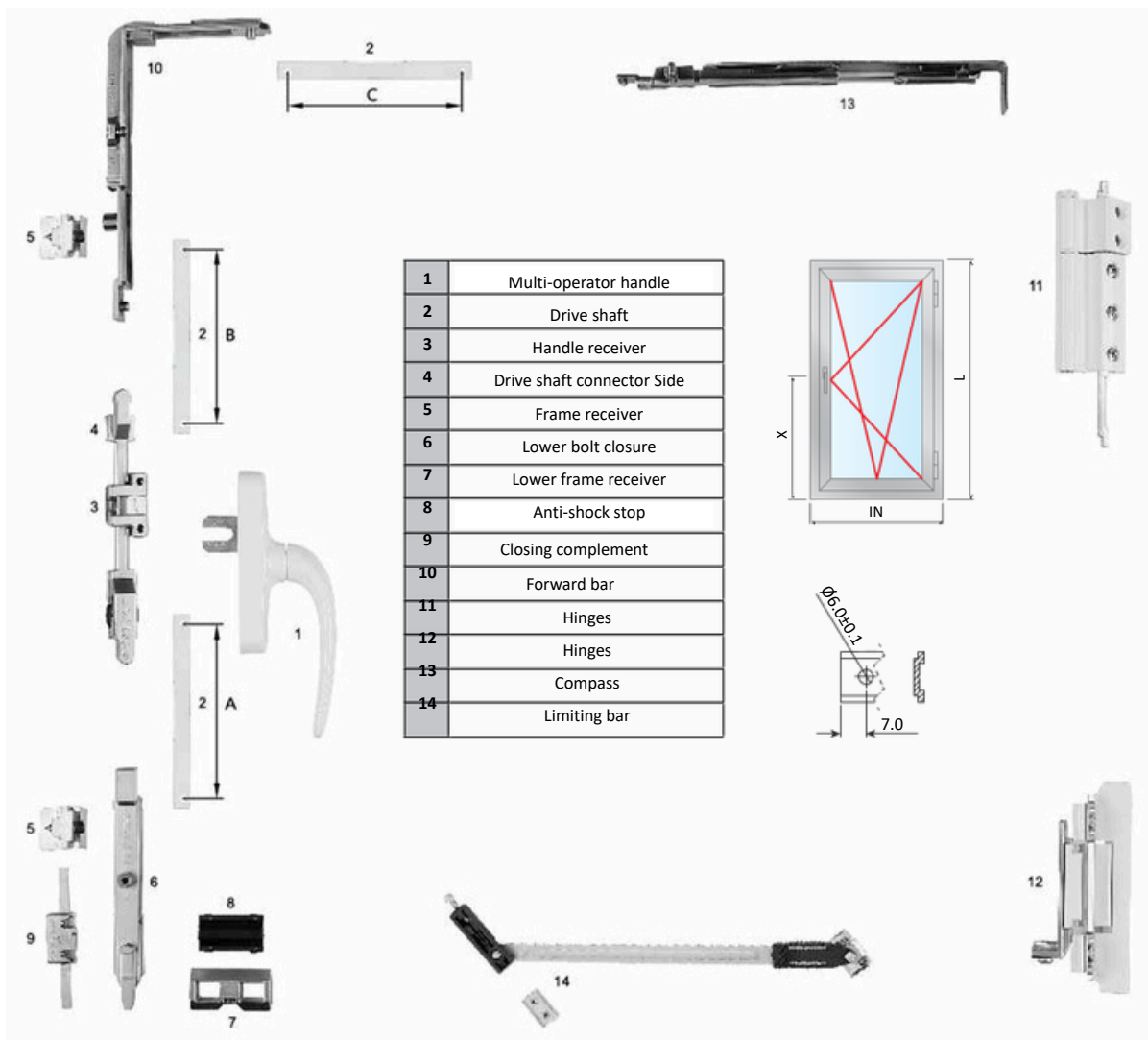
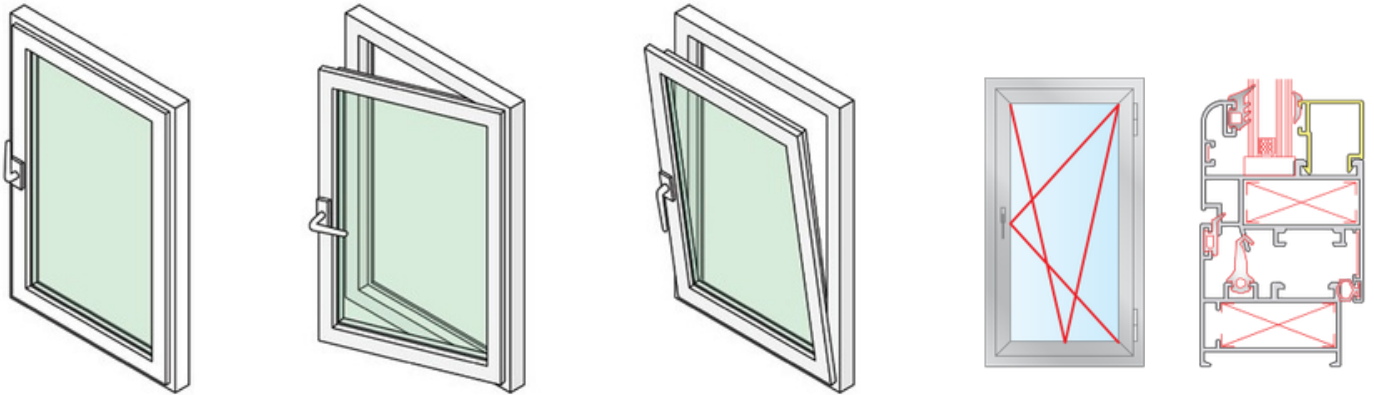
SECUREASY® Assembly PLUS for aluminum door

Machining of SECUREASY® PLUS for aluminum door



Hardware for 45mm Folding Series Profile System

Tilt and turn kit



Code
UJ054

- Width: Max 1600mm, Min 400mm
- Height: Max 2400mm, Min 600mm
- Maximum weight allowed < 130 kg